

Adjustable Art Easel Model# ELR-008



WARNING:

Adult Assembly Required.

Two adults recommended.

- Contains small parts, sharp points and edges.
- Do not stand, sit, kneel, climb, lean or pull on unit for support.
- Never leave children unattended.
- Do not place unit near high heat or moisture.
- Adult supervision recommended.

TOOLS INCLUDED

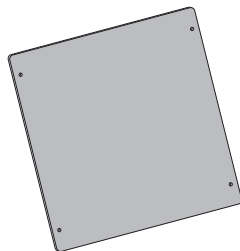
- Hex Tool (1)



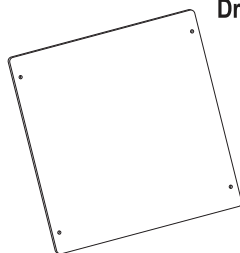
Parts List

BEFORE ASSEMBLING, MAKE SURE YOU HAVE ALL THE PARTS

A Chalk Board (1)

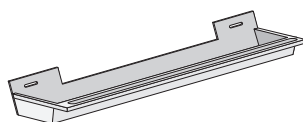


B Dry Erase Board (1)

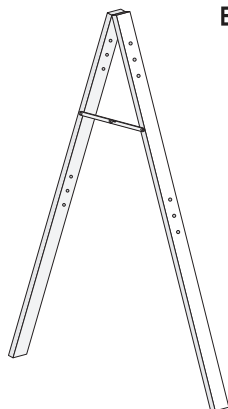


Batch ID Sticker located on backside

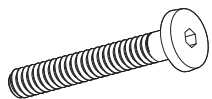
C Trays (2)



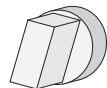
D Easel Legs (2)



E Hex Screws & Plastic Nuts (8/8)



E1



E2

Use the Hex Tool

1 Install the Dry Erase Board

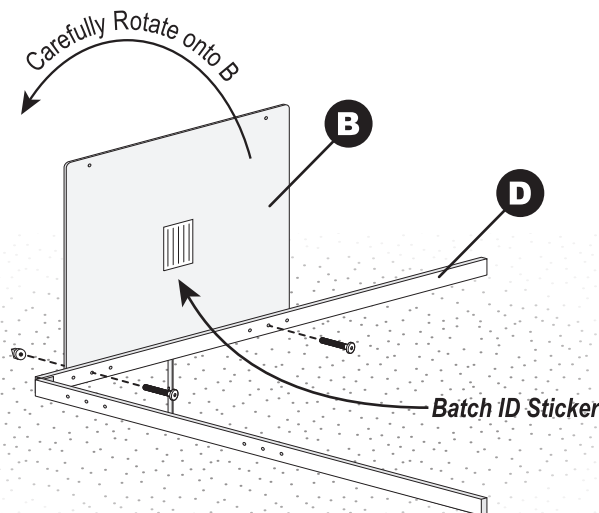
Open an **Easel Leg (D)** completely and secure the hinge into the locked position. Place onto a protective surface with the locked hinge facing down.

Install the **Dry Erase Board (B)** onto **Easel Leg (D)** with two **Hex Screws & Plastic Nuts (E1/E2)** as shown.

Reminder: Do not overtighten, as the plastic threads can be stripped.

Note: The height of the board/tray can be adjusted by installing into upper/lower sets of holes on the Easel Legs.

Carefully rotate onto the **Dry Erase Board (B)** on a protective surface.



2 Install the Chalk Board and Tray

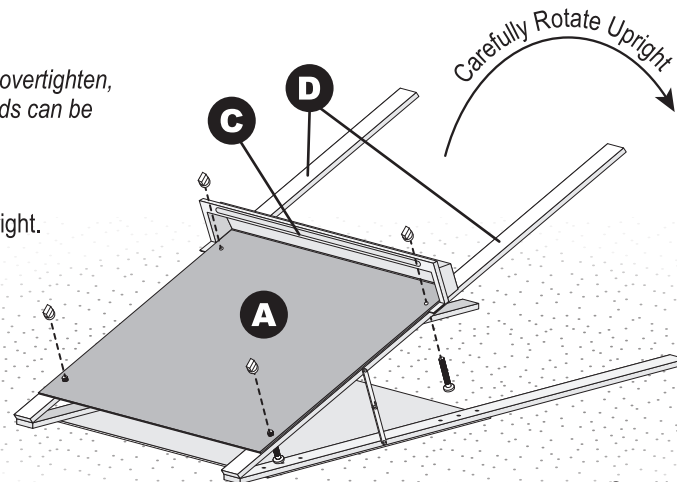
Open the other **Easel Leg (D)** completely and secure the hinge into the locked position.

Install the **Chalk Board (A)** onto both **Easel Legs (D)** with four **Hex Screws & Plastic Nuts (E1/E2)**. Align a **Tray (C)** behind the **Chalk Board (A)** before tightening the lower hex screws and plastic nuts.

Tip: Install the upper Hex Screws & Plastic Nuts first.

Reminder: Do not overtighten, as the plastic threads can be stripped.

Carefully rotate upright.



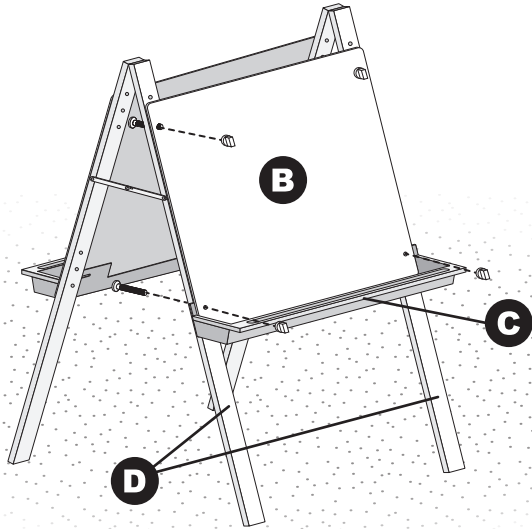
See Next Page

3 Complete Dry Erase Board Installation

Complete the installation of Dry Erase Board (B) onto left Easel Leg (D) with two Hex Screws & Plastic Nuts (E1/E2).

Remove the lower Hex Screws & Plastic Nuts (E1/E2) on the Dry Erase Board (B). Align a Tray (C) behind the Dry Erase Board (B) and re-install the lower Hex screws & Plastic nuts.

Reminder: Do not overtighten, as the plastic threads can be stripped.



Care and Cleaning

Clean wood with a damp cloth or sponge using warm water and mild soap. Wipe dry.

Do not place near heat, moisture or vaporizer which may cause wood to warp and peel.

Check for loose or worn parts periodically and tighten or replace as necessary.

Early Childhood[®]
RESOURCES

We appreciate your purchase of the Adjustable Art Easel. Early Childhood Resources has made every effort to supply a quality product, that with proper use and care, will bring you many years of trouble free use!

If you experience any difficulties with this product, please email us at customerservice@ecr4kids.com or call toll-free at (888) 227-9028 (Monday - Friday, 7:00am - 4:00pm Pacific Standard Time)

Please do not return to place of purchase as Early Childhood Resources will replace defective part(s) and/or product.



"Early Childhood Resources® guarantees the quality of all of our products. You can trust the quality and safety of our furniture and materials, along with the peace of mind that our products are made to last. If for any reason, you are not satisfied with the quality and workmanship of our products, we will replace the item or refund the sale."

Record the manufacture date here.
Information is located on the Batch ID sticker and on the shipping carton.
Save this sheet in an accessible place.

Model Number: ELR-008

Factory Code: D

Manufacture Date: _____

Batch ID Number: _____
(Located on Part B)