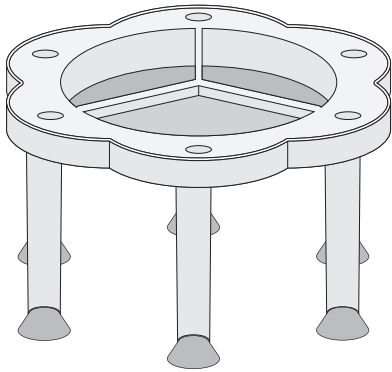


Sand & Water Table w/ Cover
 Model# ELR-0173



⚠ WARNING:

Adult Assembly Required.

- Two adults recommended.
- Contains small parts, sharp points and edges.
- Do not stand, sit, kneel, climb, lean or pull on unit for support.
- Never leave children unattended.
- Do not place unit near high heat or moisture.
- Adult supervision recommended.

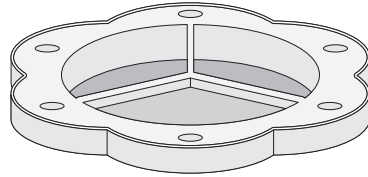
⚠ CAUTION:

- Do not allow children to climb, sit or stand on units.
- Do not allow children to put their head or face into the tub when in use.
- Cover stations with included lidsto keep stations clean after use.
- To avoid the attraction of insects or animals, do not leave water standing.

Parts List

BEFORE ASSEMBLING, MAKE SURE YOU HAVE ALL THE PARTS

A Top (1)

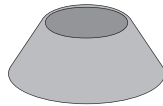


Batch ID Sticker located on underside

B Legs (6)



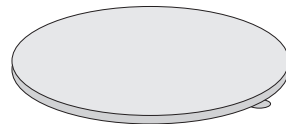
C Feet (6)



D Plug (1)

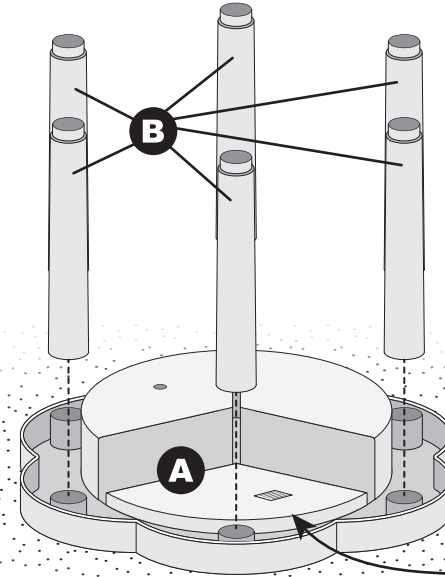


E Cover (1)



1 Install the Legs

Install the **Legs (B)** onto the **Top (A)** as shown until seated against the underside of the Top.

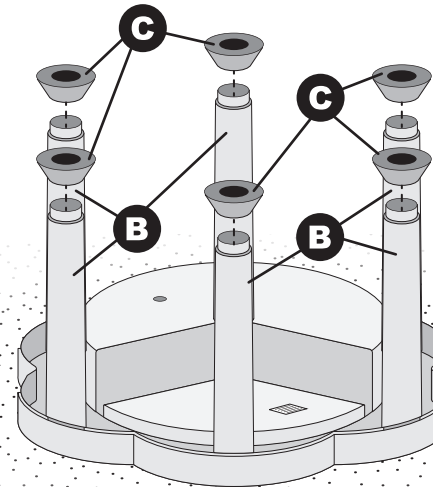


2 Install the Feet

Install the **Feet (C)** onto the **Legs (B)** as shown until seated.

Rotate upright and install the **Plug (D)** into the holes at the bottom of the play tub.

Install the **Cover (E)** when not in use.





We appreciate your purchase of the Sand & Water Table w/ Cover. ECR4KIDS® has made every effort to supply a quality product that with proper use and care, will provide many years of trouble-free use.

If you experience any difficulties with this product, please email us at ecrcs@ecr4kids.com or call toll-free at (855) ECR-4KIDS (Monday - Friday, 7:00am - 4:00pm Pacific Standard Time)

Please do not return to place of purchase as ECR4KIDS® will replace defective part(s) and/or product.



ECR4KIDS® guarantees the quality of all our products. You can trust the quality and safety of our furniture and materials, along with the peace of mind that our products are made to last. If for any reason you are not satisfied with the quality or workmanship of our products, we will replace the item or refund the sale.

Care and Cleaning

Clean unit with a damp cloth or sponge using warm water and mild soap. Wipe dry.

Do not place near heat, moisture or vaporizer which may cause unit to warp or become damaged.

Check for loose or worn parts periodically and tighten or replace as necessary.

Record the manufacture date here.
Information is located on the Batch ID sticker and on the shipping carton.
Save this sheet in an accessible place.

Model Number: ELR-0173

Factory Code: BO

Manufacture Date: _____

Batch ID Number: _____
(Located on Part A)