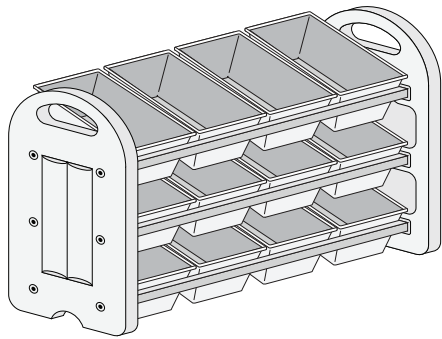


3-Tier Storage Organizer
 Model# ELR-0216



⚠ WARNING:

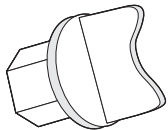
Adult Assembly Required.

Two adults recommended.

- Contains small parts, sharp points and edges.
- Do not stand, sit, climb, lean or pull on unit.
- Never leave children unattended.
- Do not place unit near high heat or moisture.
- Adult supervision recommended.

TOOLS INCLUDED

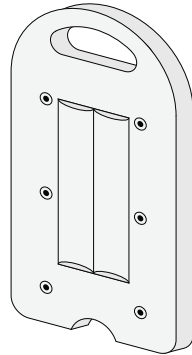
- Hex Tool (1)



Parts List

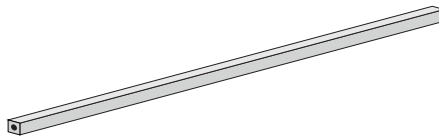
BEFORE ASSEMBLING, MAKE SURE YOU HAVE ALL THE PARTS

A Side Panels (2)

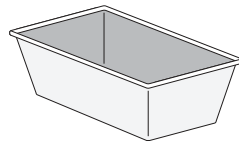


Batch ID Sticker located on inside

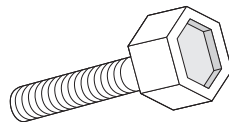
B Support Bars (6)



C Bins (12)



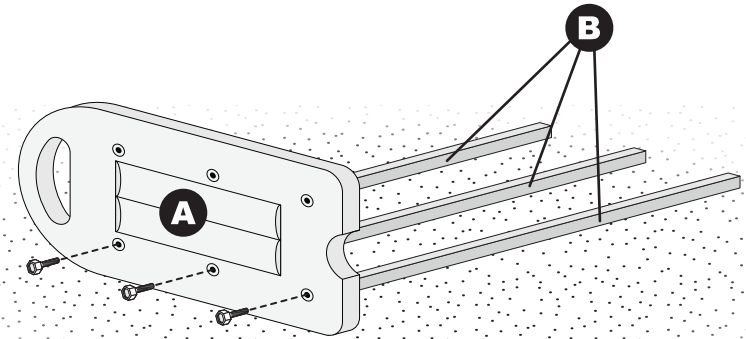
D Hex Screws (12)



Use the Hex Tool

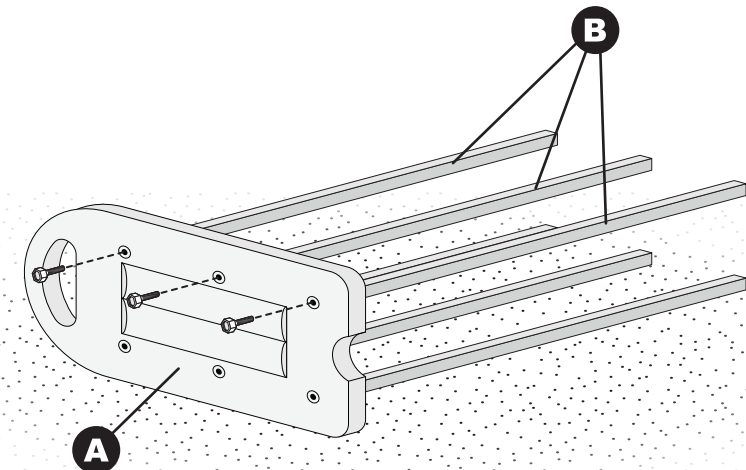
1 Install the Rear Support Bars

Install the three rear **Support Bars (B)** into the recessed square holes on the inside of **Left Side Panel (A)** as shown, with three **Hex Screws (D)** using the Hex Tool.



2 Install the Front Support Bars

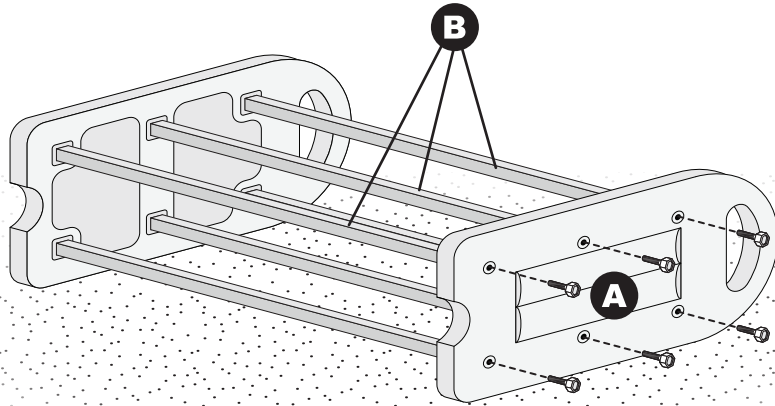
Install the three front **Support Bars (B)** into the recessed square holes on the inside of **Left Side Panel (A)** as shown, with three **Hex Screws (D)** using the Hex Tool.



See Next Page

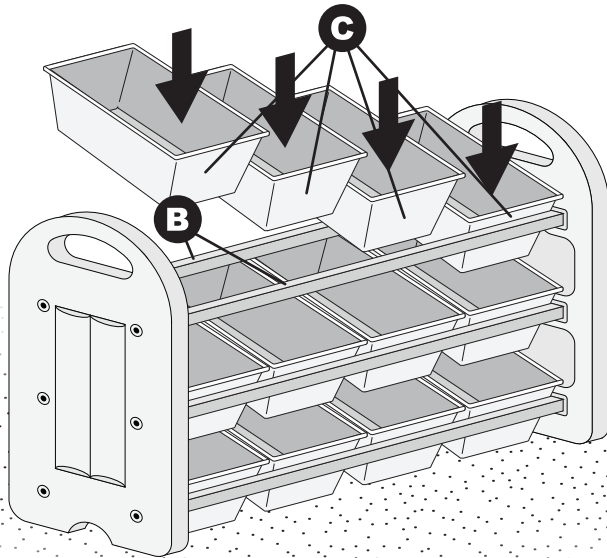
3 Install the Right Side Panel

Install Right Side Panel (A) onto the Support Bars (B), with six Hex Screws (D) using the Hex Tool.



4 Place the Bins on the Support Bars

Place the Bins (C) on the Support Bars (B) in either an angled or flat orientation.



We appreciate your purchase of the 3-Tier Storage Organizer. ECR4KIDS has made every effort to supply a quality product that with proper use and care, will provide many years of trouble-free use.

If you experience any difficulties with this product, please email us at ecrcs@ecr4kids.com or call toll-free at (855) ECR-4KIDS (Monday - Friday, 7:00am - 4:00pm Pacific Standard Time)

Please do not return to place of purchase as ECR4KIDS will replace defective part(s) and/or product.

Warranty: Visit our website for product specific warranty information at: www.ecr4kids.com

Care and Cleaning

Clean unit with a damp cloth or sponge using warm water and mild soap. Wipe dry.

Do not place near heat, moisture or vaporizer which may cause panels to warp and peel.

Check for loose or worn parts periodically and tighten or replace as necessary.

Record the manufacture date here. Information is located on the Batch ID sticker and on the shipping carton. Save this sheet in an accessible place.

Model Number: ELR-0216

Factory Code: G

Manufacture Date: _____

Batch ID Number: _____
(Located on Part A)