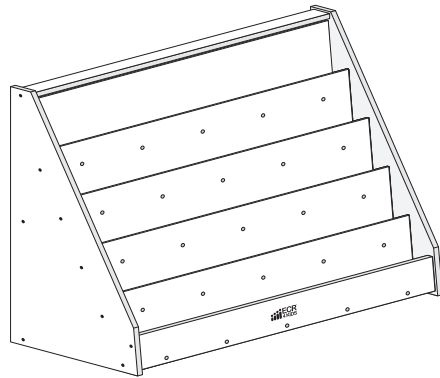


**Single-Sided Book Display**  
Model# ELR-0339-B



**⚠ WARNING:**

**Adult Assembly Required.**

Two adults recommended.

- Contains small parts, sharp points and edges.
- Do not stand, sit, kneel, climb, lean or pull on unit for support.
- Never leave children unattended.
- Do not place unit near high heat or moisture.
- Adult supervision recommended.

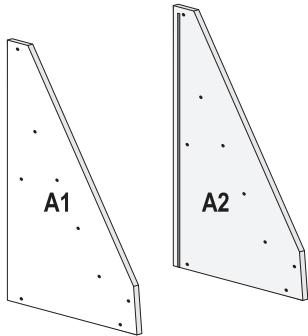
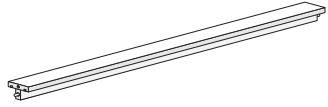
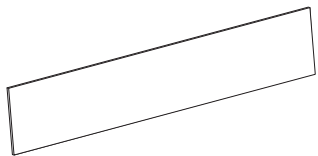
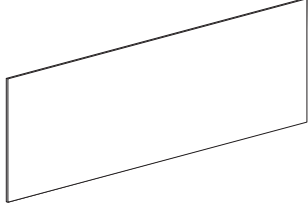
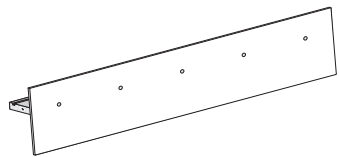

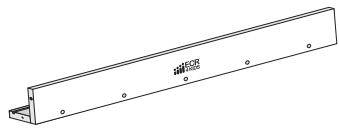
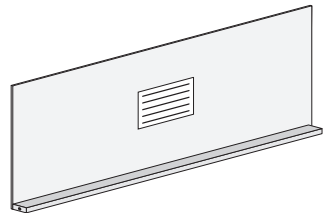
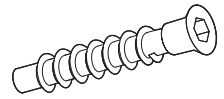
**TOOLS INCLUDED**

Hex Tool (1)



# Parts List

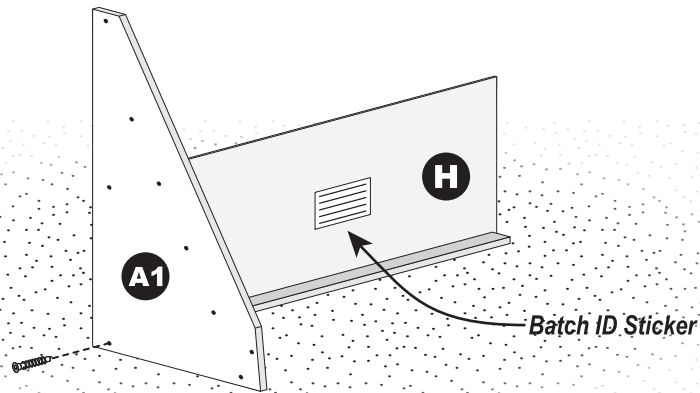
BEFORE ASSEMBLING, MAKE SURE YOU HAVE ALL THE PARTS

<p><b>A</b> Left &amp; Right Side Panels (1/1)</p> 	<p><b>E</b> Upper Crossbar (1)</p> 
<p><b>B</b> Upper Shelf (1)</p> 	<p><b>F</b> Upper Back Panel (1)</p> 
<p><b>C</b> Middle Shelves (4)</p> 	<p><b>G</b> Rear Crossbar (1)</p> 
<p><b>D</b> Front Crossbar (1)</p> 	<p><b>H</b> Lower Back Panel (1)</p> 
<p><b>I</b> Hex Screws (18)</p> 	

## 1 Install the Lower Back Panel

Install the **Lower Back Panel (H)** onto the **Left Side Panel (A1)** with one **Hex Screw (I)** using the Hex Tool.

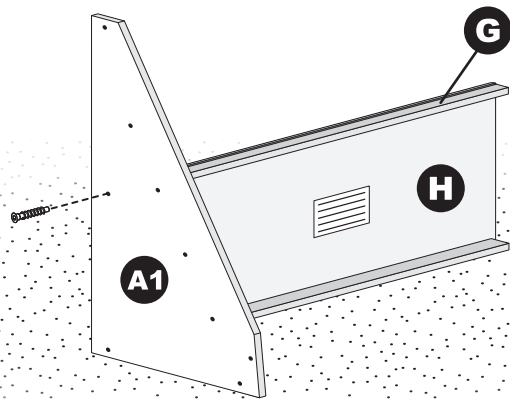
**Note:** Make sure **Lower Back Panel (H)** is fully seated the groove on **Left Side Panel (A1)**.



## 2 Install the Rear Crossbar

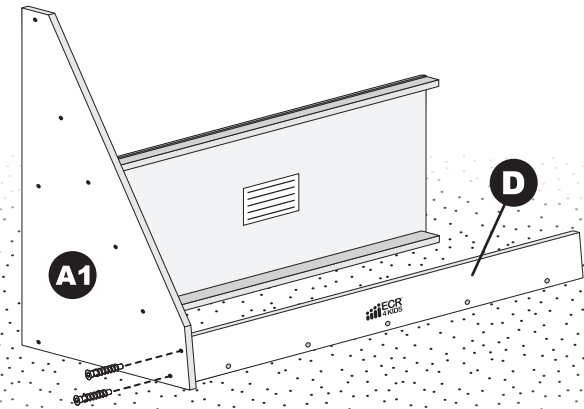
Install the **Rear Crossbar (G)** onto the **Left Side Panel (A1)** with one **Hex Screw (I)** using the Hex Tool.

**Note:** Make sure **Lower Back Panel (H)** is fully seated the groove on **Rear Crossbar (G)**.



## 3 Install the Front Crossbar

Install the **Front Crossbar (D)** onto the **Left Side Panel (A1)** with two **Hex Screws (I)** using the Hex Tool.

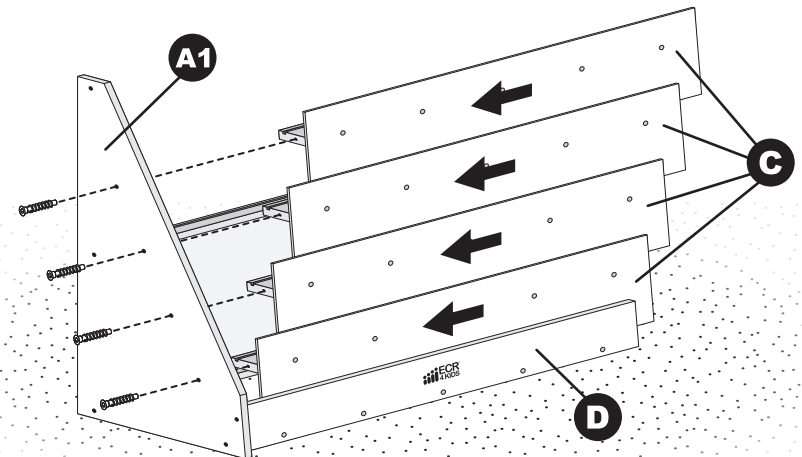


## 4 Install the Middle Shelves

Slide a **Middle Shelf (C)** into the groove on the **Front Crossbar (D)** as shown, until fully seated against on the inside of the **Left Side Panel (A1)**.

Install the first **Middle Shelf (C)** onto the **Left Side Panel (A1)** with one **Hex Screw (I)** using the Hex Tool.

Repeat with the remaining **Middle Shelves (C)**, one shelf at a time.



See Next Page

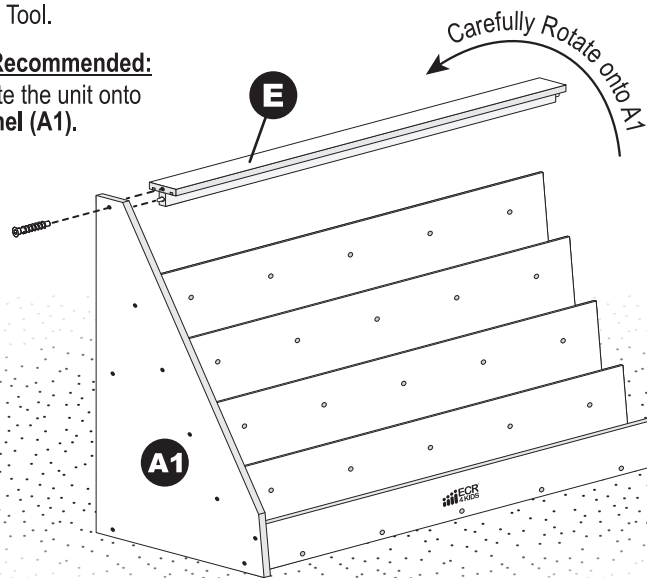
## 5 Install the Upper Crossbar

Insert the pre-installed wooden dowel on **Upper Crossbar (E)** into the corresponding holes on the inside of **Left Side Panel (A1)**.

Install the **Upper Crossbar (E)** onto the **Left Side Panel (A1)** with one **Hex Screw (I)** using the Hex Tool.

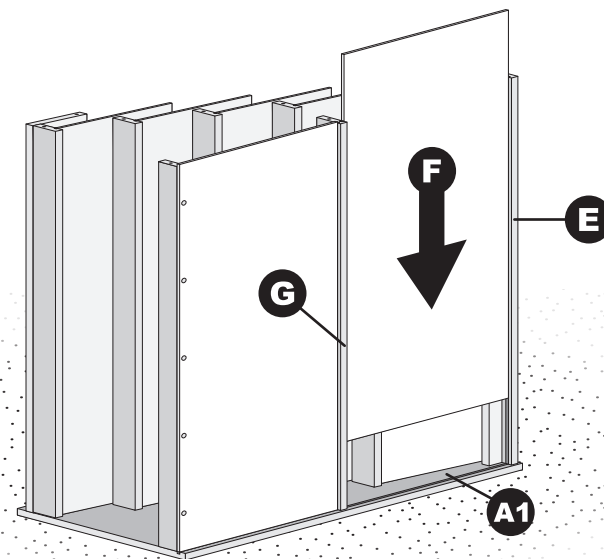
### Two Adults Recommended:

Carefully rotate the unit onto **Left Side Panel (A1)**.



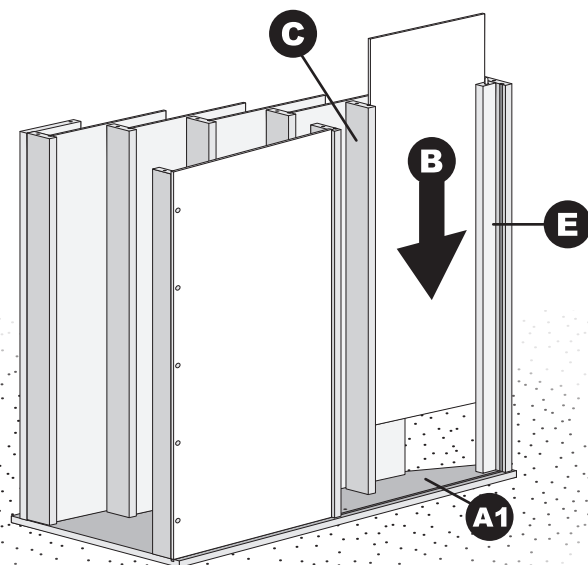
## 7 Slide the Upper Back Panel into Place

Slide **Upper Back Panel (F)** into the grooves on the **Upper Crossbar (E)** and **Rear Crossbar (G)** as shown, until fully seated into the groove on the underside of the **Left Side Panel (A1)**.



## 6 Slide the Upper Shelf into Place

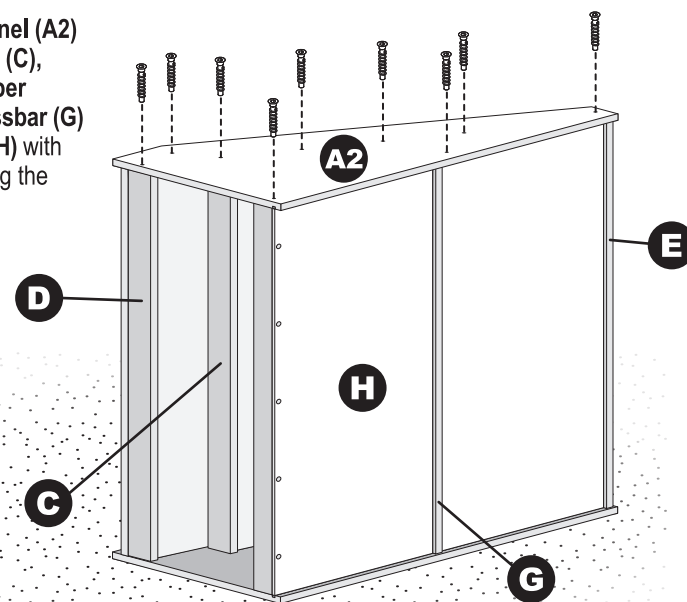
Slide **Upper Shelf (B)** into the grooves on the uppermost **Middle Shelf (C)** and **Upper Crossbar (E)** as shown, until fully seated against on the inside of the **Left Side Panel (A1)**.



## 8 Install the Right Side Panel

Insert the pre-installed wooden dowel on **Upper Crossbar (E)** into the corresponding holes on the inside of **Right Side Panel (A2)**.

Install the **Right Side Panel (A2)** onto the **Middle Shelves (C)**, **Front Crossbar (D)**, **Upper Crossbar (E)**, **Rear Crossbar (G)** and **Lower Back Panel (H)** with nine **Hex Screws (I)** using the Hex Tool.



See Next Page



---

We appreciate your purchase of the Single-Sided Book Display. ECR4KIDS has made every effort to supply a quality product that with proper use and care, will provide many years of trouble-free use.

---

If you experience any difficulties with this product, please email us at **ecrcs@ecr4kids.com** or call toll-free at (855) ECR-4KIDS (Monday - Friday, 7:00am - 4:00pm Pacific Standard Time)

**Please do not return** to place of purchase as ECR4KIDS will replace defective part(s) and/or product.

---

**Warranty:** Visit our website for product specific warranty information at:  
[www.ecr4kids.com](http://www.ecr4kids.com)

**Care and Cleaning**

Clean wood with a damp cloth or sponge using warm water and mild soap. Wipe dry.

Do not place near heat, moisture or vaporizer which may cause wood to warp and peel.

Check for loose or worn parts periodically and tighten or replace as necessary.

**Record the manufacture date here. Information is located on the Batch ID sticker and on the shipping carton. Save this sheet in an accessible place.**

**Model Number:** ELR-0339-B

**Factory Code:** EP

**Manufacture Date:** \_\_\_\_\_

**Batch ID Number:** \_\_\_\_\_  
(Located on Part H)