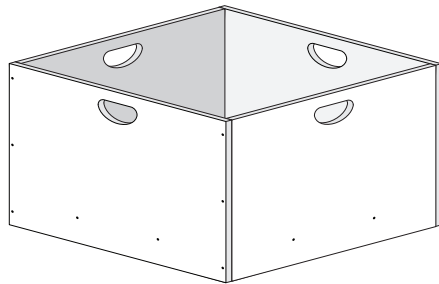


**Unit Block Cart**  
Model# ELR-0341-A



**WARNING:**

**Adult Assembly Required.**

- Two adults recommended.
- Contains small parts, sharp points and edges.
- Do not stand, sit, kneel, climb, lean or pull on unit for support.
- Never leave children unattended.
- Do not place unit near high heat or moisture.
- Adult supervision recommended.

**TOOLS INCLUDED**

- Hex Tool (1)



**TOOLS NEEDED**

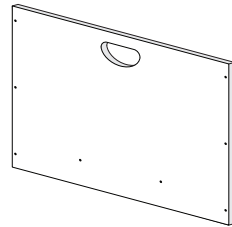
- Phillips Screwdriver



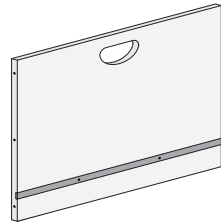
**Parts List**

BEFORE ASSEMBLING, MAKE SURE YOU HAVE ALL THE PARTS

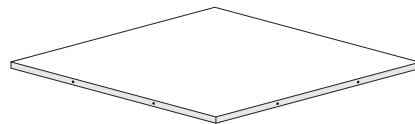
**A** Long Side Panels (2)



**B** Short Side Panels (2)

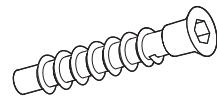


**C** Bottom Panel (1)



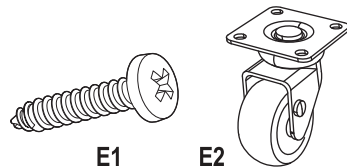
Batch ID Sticker located on underside

**D** Hex Screws (20)



Use the Hex Tool

**E** Phillips Screws & Casters (16/4)



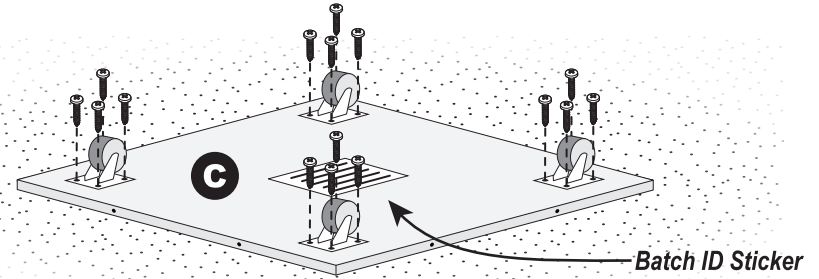
E1

E2

Use a Phillips Screwdriver

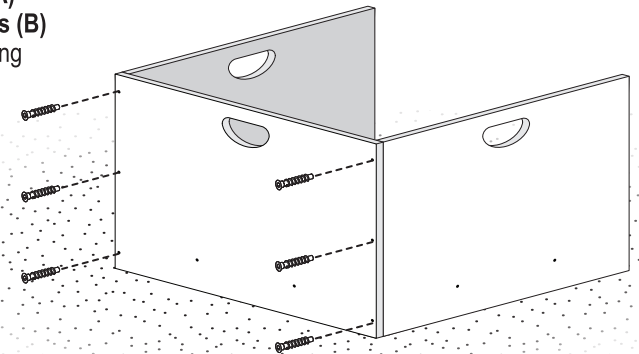
**1** Install the Casters onto Bottom Shelf

Install the four **Castors (E2)** into the pre-drilled holes on the underside of the **Bottom Shelf (C)**, with four **Phillips Screws (E1)** per caster, using a Phillips screwdriver.



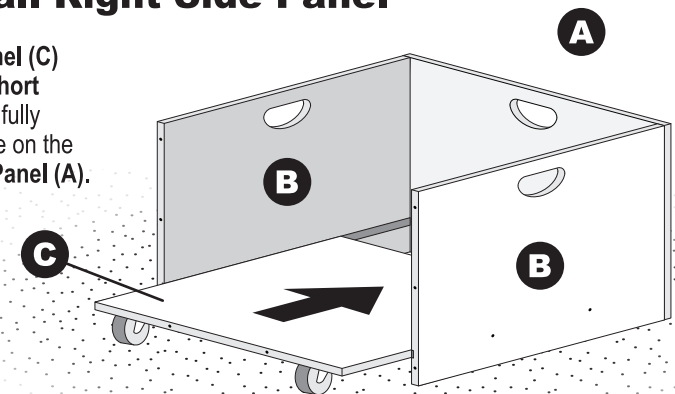
**2** Install the Side Panels

Install a **Long Side Panel (A)** onto both **Short Side Panels (B)** with six **Hex Screws (D)** using the Hex Tool.



**3** Install Right Side Panel

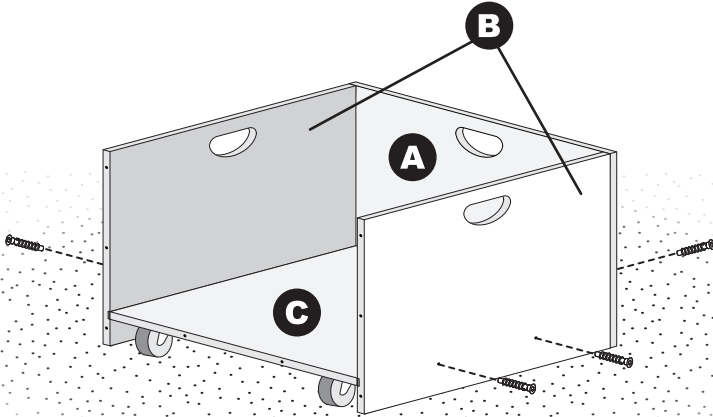
Slide the **Bottom Panel (C)** into the grooves on **Short Side Panels (B)** until fully seated into the groove on the inside of **Long Side Panel (A)**.



See Next Page

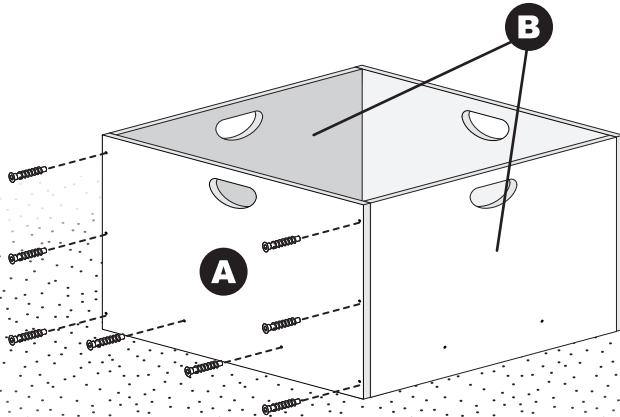
## 4 Install the Bottom Shelf

Install the **Bottom Shelf (C)** onto **Long Side Panel (A)** and both **Short Side Panels (B)** with six **Hex Screws (D)** using the Hex Tool.



## 5 Install the Remaining Side Panel

Install the remaining **Long Side Panel (A)** onto both **Short Side Panels (B)** and **Bottom Shelf (C)** with eight **Hex Screws (D)** using the Hex Tool.



We appreciate your purchase of the Unit Block Cart. ECR4KIDS has made every effort to supply a quality product that with proper use and care, will provide many years of trouble-free use.

If you experience any difficulties with this product, please email us at [ecrcs@ecr4kids.com](mailto:ecrcs@ecr4kids.com) or call toll-free at (855) ECR-4KIDS (Monday - Friday, 7:00am - 4:00pm Pacific Standard Time)

**Please do not return** to place of purchase as ECR4KIDS will replace defective part(s) and/or product.

**Warranty:** Visit our website for product specific warranty information at: [www.ecr4kids.com](http://www.ecr4kids.com)

### Care and Cleaning

Clean wood with a damp cloth or sponge using warm water and mild soap. Wipe dry.

Do not place near heat, moisture or vaporizer which may cause wood to warp and peel.

Check for loose or worn parts periodically and tighten or replace as necessary.

**Record the manufacture date here. Information is located on the Batch ID sticker and on the shipping carton. Save this sheet in an accessible place.**

**Model Number:** ELR-0341-A

**Factory Code:** BR

**Manufacture Date:** \_\_\_\_\_

**Batch ID Number:** \_\_\_\_\_  
(Located on Part C)