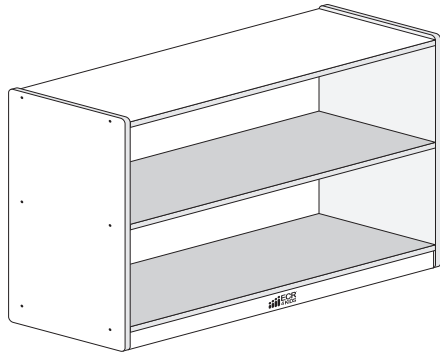


**Two Shelf Storage Cabinet  
 without Back**  
 Model# ELR-0451-A



**⚠ WARNING:**

**Adult Assembly Required.**

- Contains small parts, sharp points and edges.
- Do not stand, sit, kneel, climb, lean or pull on unit for support.
- Never leave children unattended.
- Do not place unit near high heat or moisture.
- Adult supervision recommended.

**TOOLS INCLUDED**

- ◆ Hex Tool (1)



**TOOLS NEEDED**

- ✚ Phillips Screwdriver

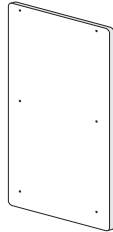


**Parts List**

BEFORE ASSEMBLING, MAKE SURE YOU HAVE ALL THE PARTS

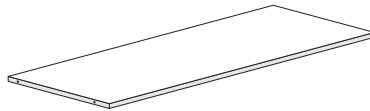
**A**

Side Panels (2)



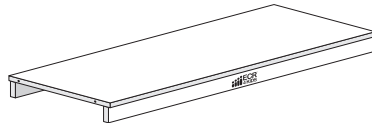
**B**

Shelves (2)



**C**

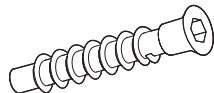
Bottom Shelf (1)



*Batch ID located underneath.*

**D**

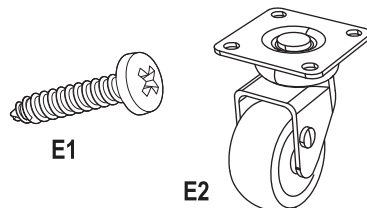
Hex Screws (12)



*Use the Hex Tool.*

**E**

Phillips Screws & Casters (16/4)



E1

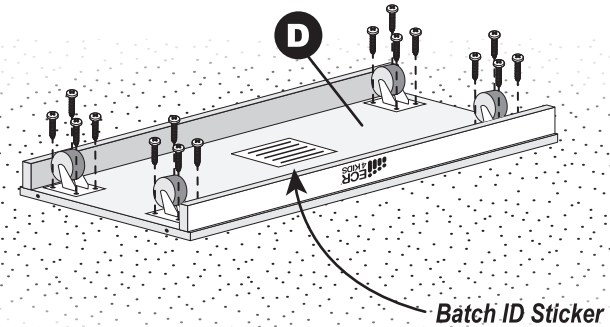
E2

*Use a Phillips Screwdriver.*

**1**

**Install the Casters onto Bottom Shelf**

Install the four **Casters (E2)** into the pre-drilled holes on the underside of the **Bottom Shelf (D)**, with four **Phillips Screws (E1)** per caster, using a Phillips screwdriver.

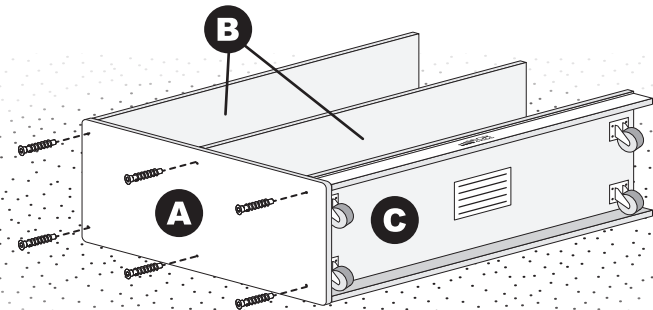


**2**

**Install the Left Side Panel**

Install left **Side Panel (A)** on to the top and middle **Shelves (B)** & **Bottom Shelf (C)** with six **Hex Screws (D)** using the Hex Tool.

**Reminder:** Install the Hex Screws through the countersunk holes on the outside of the Panel.



See Next Page

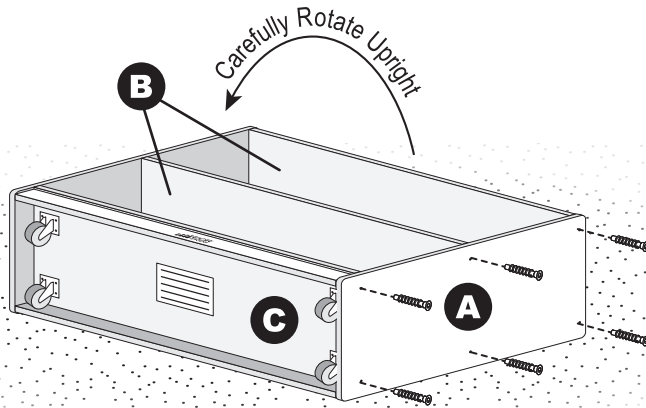
### 3

## Install the Right Side Panel

Install right Side Panel (A) on to the top and middle Shelves (B) & Bottom Shelf (C) with six Hex Screws (D) using the Hex Tool.

**Reminder:** Install the Hex Screws through the countersunk holes on the outside of the Panel.

**Two Adults Recommended:** Carefully rotate unit upright.



We appreciate your purchase of the Two Shelf Storage Cabinet w/o Back. ECR4KIDS has made every effort to supply a quality product that with proper use and care, will provide many years of trouble-free use.

If you experience any difficulties with this product, please email us at [ecr4kids@ecr4kids.com](mailto:ecr4kids@ecr4kids.com) or call toll-free at (855) ECR-4KIDS (Monday - Friday, 7:00am - 4:00pm Pacific Standard Time)

**Please do not return** to place of purchase as ECR4KIDS will replace defective part(s) and/or product.

**Warranty:** Visit our website for product specific warranty information at: [www.ecr4kids.com](http://www.ecr4kids.com)

#### Care and Cleaning

Clean wood with a damp cloth or sponge using warm water and mild soap. Wipe dry.

Do not place near heat, moisture or vaporizer which may cause wood to warp and peel.

Check for loose or worn parts periodically and tighten or replace as necessary.

**Record the manufacture date here. Information is located on the Batch ID sticker and on the shipping carton. Save this sheet in an accessible place.**

**Model Number:** ELR-0451-A

**Factory Code:** EP

**Manufacture Date:** \_\_\_\_\_

**Batch ID Number:** \_\_\_\_\_  
(Located on Part C)