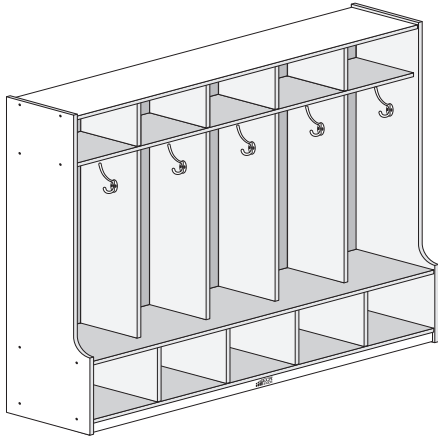




San Diego, CA 92110 USA  
www.ecr4kids.com

**5 Section Coat Locker w/ Bench**  
Model# ELR-0453-B



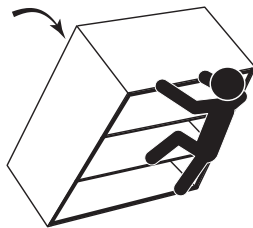
**⚠ WARNING:**

**Adult Assembly Required.**

Two adults recommended.

- Contains small parts, sharp points and edges.
- Do not stand, sit, kneel, climb, lean or pull on unit for support.
- Never leave children unattended.
- Do not place unit near high heat or moisture.
- Adult supervision recommended.

Children climbing on furniture can lead to death or serious injury due to tipping. Secure unit to wall using appropriate hardware.



**TOOLS INCLUDED**

- Hex Tool (1)



**TOOLS NEEDED**

- Phillips Screwdriver



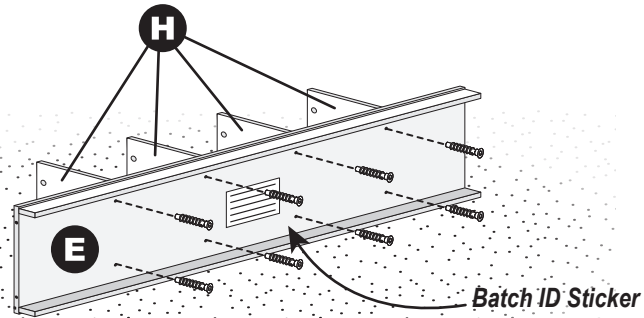
**Parts List**

BEFORE ASSEMBLING, MAKE SURE YOU HAVE ALL THE PARTS

<p><b>A</b> Left &amp; Right Side Panels (1/1)</p>	<p><b>F</b> Upper Dividers (4)</p>	<p><b>G</b> Upper Back Panel (5)</p>
<p><b>B</b> Top Panel (1)</p>	<p><b>H</b> Lower Dividers (4)</p>	
<p><b>C</b> Upper Shelf (1)</p>	<p><b>I</b> Lower Back Panel (1)</p>	
<p><b>D</b> Lower Shelf (1)</p>	<p><b>J</b> Hex Screw (32)</p> <p><i>Use the Hex Tool</i></p>	
<p><b>E</b> Bottom Shelf (1)</p> <p><i>Batch ID Sticker located on underside</i></p>	<p><b>K</b> Cam Posts &amp; Cam Locks (16/16)</p> <p><i>Use a Phillips Screwdriver</i></p>	
	<p><b>L</b> Hanger Hook Posts &amp; Screws (12/12)</p> <p><i>Use a Phillips Screwdriver</i></p>	<p><b>M</b> Hanger Hooks (10)</p>

## 1 Install Lower Dividers onto Bottom Shelf

Install the four **Lower Dividers (H)** to the **Bottom Shelf (E)** with eight **Hex Screws (J)** using the Hex Tool.

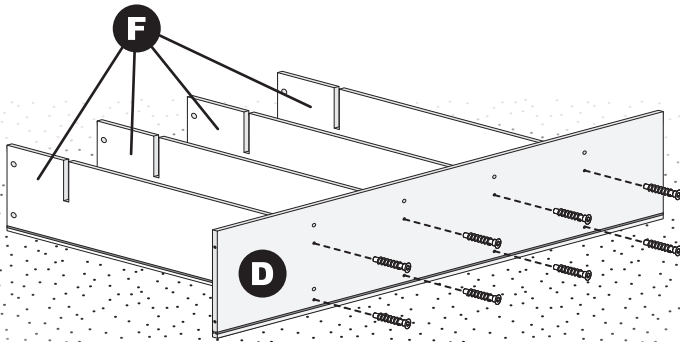


## 2 Install Upper Dividers onto Lower Shelf

Install the four **Upper Dividers (F)** to the **Lower Shelf (D)** as shown, with eight **Hex Screws (J)** using the Hex Tool.

Install eight **Cam Posts (K1)** into the threaded plastic inserts on the underside of **Lower Shelf (D)** with a Phillips screwdriver.

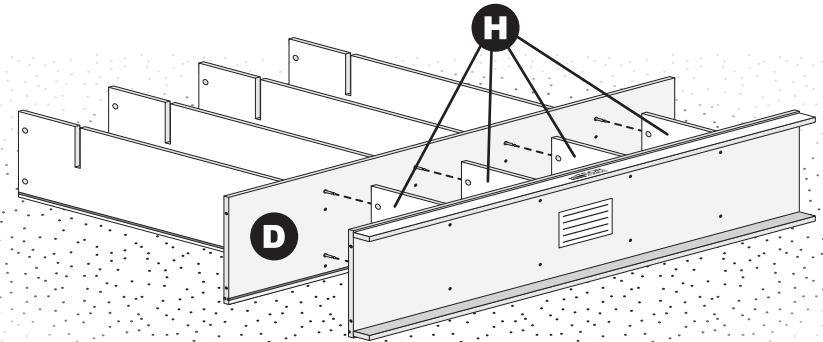
**Reminder:** Do not overtighten, as the plastic threads can be stripped.



## 3 Connect Lower Dividers to Lower Shelf

Place two **Cam Locks (K2)** into the recessed holes on each **Lower Dividers (H)**, with the arrow facing the closest edge.

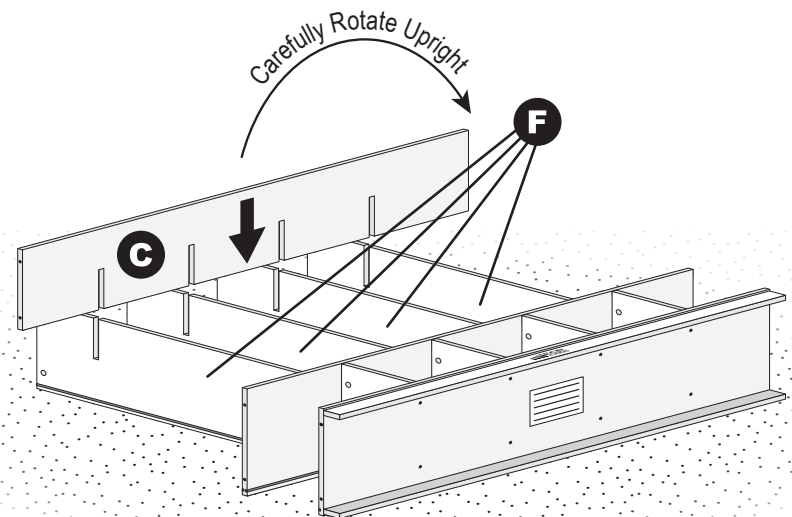
Attach the **Lower Dividers (H)** onto the **Cam Posts** on the underside of the **Lower Shelf (D)**, turn the **Cam Locks** clockwise with a Phillips screwdriver to lock the **Lower Dividers (H)** onto the posts.



## 4 Insert Upper Shelf onto Upper Dividers

Align the slits on **Upper Shelf (C)** with the slits on **Upper Dividers (F)** as shown, and slide together until seated.

**Two Adults Recommended:** Carefully rotate the unit upright.



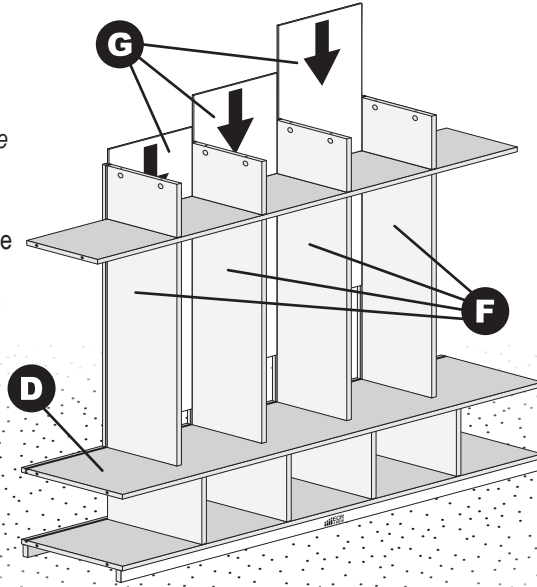
See Next Page

## 5 Insert Upper Back Panels

Slide three **Upper Back Panels (G)** into the grooves on the **Upper Dividers (F)** as shown, until fully seated into the groove on the topside of the **Lower Shelf (D)**.

*Tip: If the Back Panels do not slide in easily, wiggle the panels while pushing into place.*

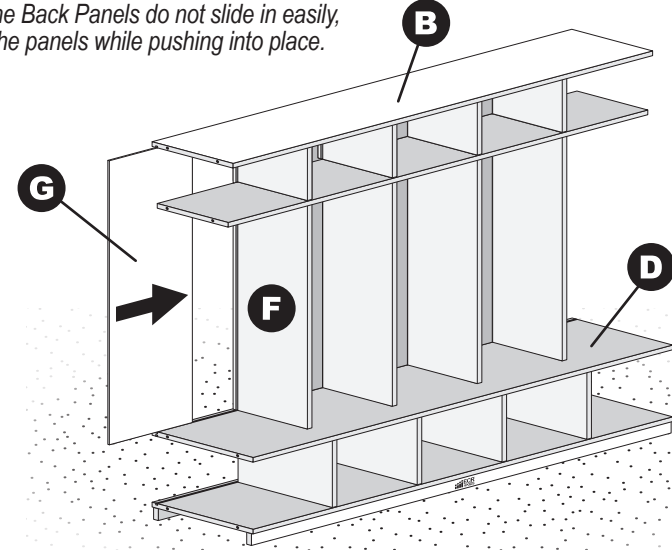
Place two **Cam Locks (K2)** into the recessed holes on each **Upper Divider (F)**, with the arrow facing the closest edge.



## 7 Insert the Left Upper Back Panel

Slide an **Upper Back Panel (G)** into the grooves on the **Top Panel (B)** and **Lower Shelf (D)** as shown, until fully seated into the groove on the side of the **Upper Divider (F)**.

*Tip: If the Back Panels do not slide in easily, wiggle the panels while pushing into place.*



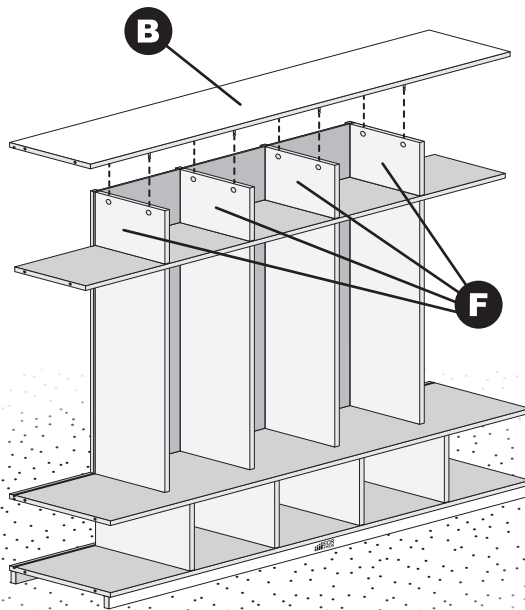
## 6 Connect the Top Panel to Upper Dividers

Install eight **Cam Posts (K1)** into the threaded plastic inserts on the underside of **Top Panel (B)** with a Phillips screwdriver.

*Reminder: Do not overtighten, as the plastic threads can be stripped.*

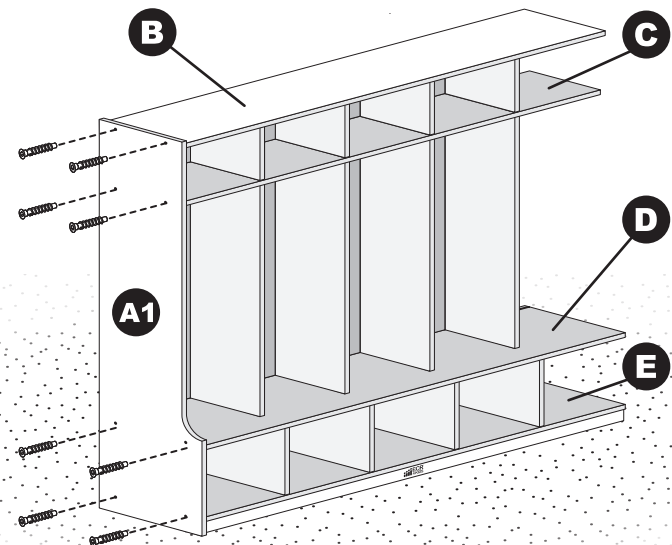
Insert the **Top Panel (B)** Cam Posts into the holes on the top edge of the **Upper Dividers (F)**.

Turn the Cam Locks clockwise with a Phillips screwdriver to lock the **Upper Dividers (F)** onto the posts.



## 8 Install the Left Side Panel

Install the **Left Side Panel (A1)** to the **Top Panel (B)**, **Upper Shelf (C)**, **Lower Shelf (D)** and **Bottom Shelf (E)** with eight **Hex Screws (J)** using the Hex Tool.



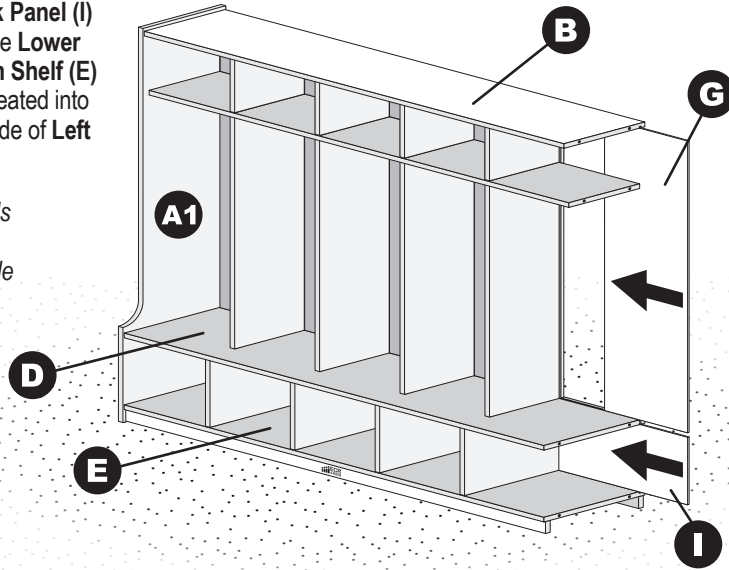
See Next Page

## 9 Insert the Remaining Back Panels

Slide the remaining **Upper Back Panel (G)** into the grooves on the **Top Panel (B)** and **Lower Shelf (D)** as shown, until fully seated into the groove on the side of the **Upper Divider (F)**.

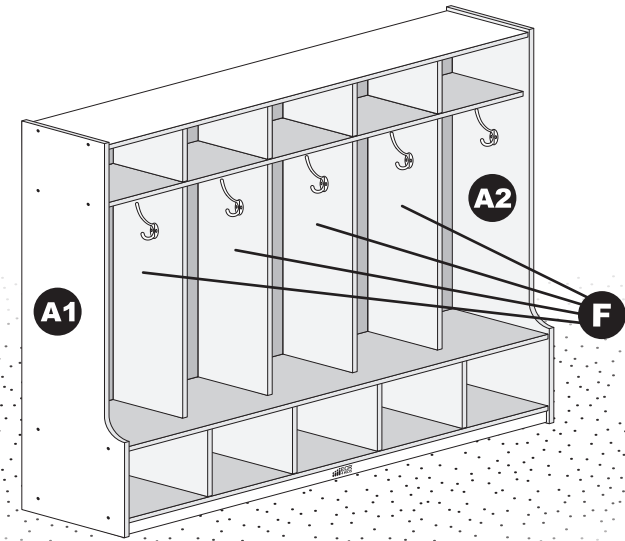
Slide the **Lower Back Panel (I)** into the grooves on the **Lower Shelf (D)** and **Bottom Shelf (E)** as shown, until fully seated into the groove on the inside of **Left Side Panel (A1)**.

*Tip: If the Back Panels do not slide in easily, wiggle the panels while pushing into place.*



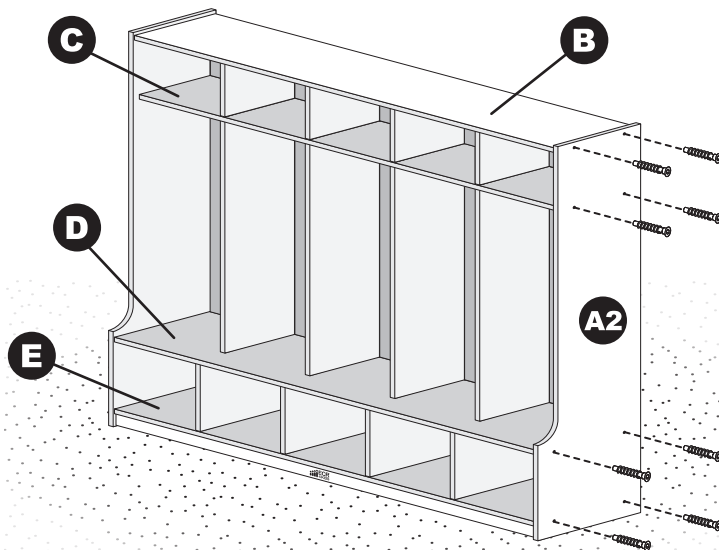
## 11 Install the Coat Hooks

Install two **Hanger Hooks (N)** to each locker section by threading the **Hanger Hook Posts & Screws (L1/L2)** together from both sides of each vertical divider (**A1/A2/F**).



## 10 Install the Right Side Panel

Install the **Right Side Panel (A2)** to the **Top Panel (B)**, **Upper Shelf (C)**, **Lower Shelf (D)** and **Bottom Shelf (E)** with eight **Hex Screws (J)** using the Hex Tool.





---

We appreciate your purchase of the 5 Section Coat Locker with Bench. ECR4KIDS has made every effort to supply a quality product that with proper use and care, will provide many years of trouble-free use.

---

If you experience any difficulties with this product, please email us at [ecrcs@ecr4kids.com](mailto:ecrcs@ecr4kids.com) or call toll-free at (855) ECR-4KIDS (Monday - Friday, 7:00am - 4:00pm Pacific Standard Time)

**Please do not return** to place of purchase as ECR4KIDS will replace defective part(s) and/or product.

---

**Warranty:** Visit our website for product specific warranty information at: [www.ecr4kids.com](http://www.ecr4kids.com)

---

**To prevent a tip-over tragedy:**

Buy and install low-cost anchoring devices that can prevent TVs, dressers, bookcases and other furniture from tipping. For more information please visit [www.ecr4kids.com/resources](http://www.ecr4kids.com/resources)

**Care and Cleaning**

Clean unit with a damp cloth or sponge using warm water and mild soap. Wipe dry.

Do not place near heat, moisture or vaporizer which may cause panels to warp and peel.

Check for loose or worn parts periodically and tighten or replace as necessary.

**Record the manufacture date here.**  
**Information is located on the Batch ID sticker and on the shipping carton.**  
**Save this sheet in an accessible place.**

**Model Number:** ELR-0453-B

**Factory Code:** EP

**Manufacture Date:** \_\_\_\_\_

**Batch ID Number:** \_\_\_\_\_  
(Located on Part E)