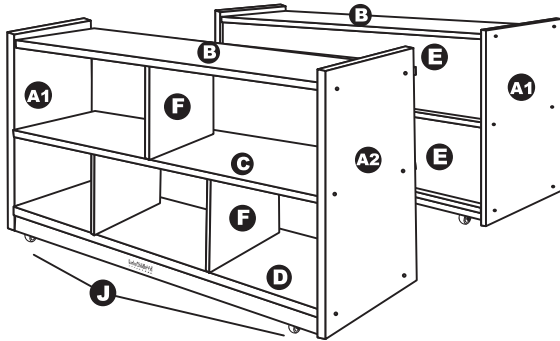


**5-Compartment
Storage Cabinet**

Model#: ELR-0625/ELR-0626



**BEFORE ASSEMBLING,
MAKE SURE THERE
ARE NO
MISSING PARTS.**

**TIP!
DO NOT FULLY
TIGHTEN SCREWS
UNTIL ALL SCREWS
HAVE BEEN LOOSELY
POSITIONED.**

PARTS LIST

- A1** Left Side Panel
- A2** Right Side Panel
- B** Top Shelf
- C** Center Shelf
- D** Bottom Shelf
- E** Back(2)
- F** Shelf Dividers (3)
- G** Metal Dowels (6)
- H** Screws (18)
- I** Hex Key Tool
- J** Wheel Casters(4)-Optional
- K** Small Screws(16)
- L** Cams(6)

NOTE:
A Phillips Head Screwdriver
will be needed for
assembly (not included)

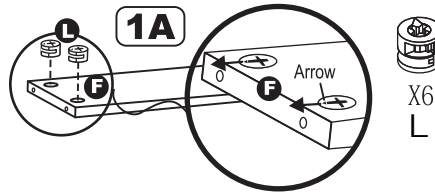


WARNING:

- **Adult Assembly Required.** Two adults recommended.
- Contains small parts, sharp points and edges.
- Do not stand, sit, kneel, climb, lean or pull on unit for support.
- Never leave children unattended.
- Do not place unit near high heat or moisture.
- **Adult Supervision Recommended.**

If you experience any difficulties with this product, please email us at customerservice@ecr4kids.com or call toll-free at (888) 227-9028 (Mon. through Fri., 8:00am to 4:00pm Eastern Standard Time)
Please do not return to place of purchase as Early Childhood Resources

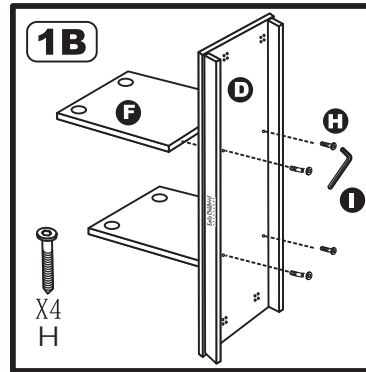
1 Attach the Dividers to the Bottom and Center Shelves



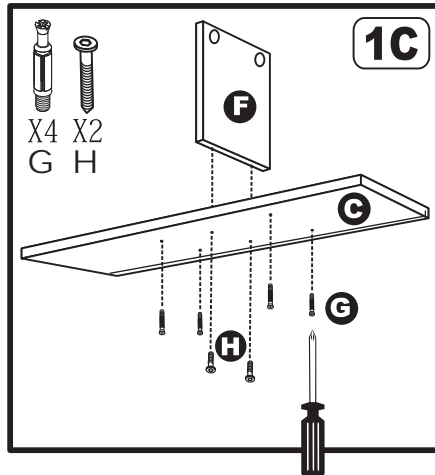
1A. Insert Cams (L) into large holes in Shelf Dividers (F) making sure that the arrow on the Cams point towards the holes in the closest ends.



1B. Attach Bottom Shelf (D) to 2 Shelf Dividers (F) with 2 Screws (H) in each, using Hex Key Tool (I)

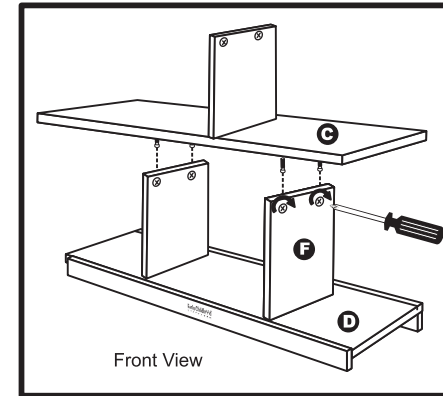


1C. Insert 4 Metal Dowels(G) into plastic plugs located underneath Center Shelf(C). Tighten with Phillips Head Screwdriver.



1D. Attach Shelf Divider(F) to top of Center Shelf(C) using 2 Screws(H) and Hex Key Tool(L).

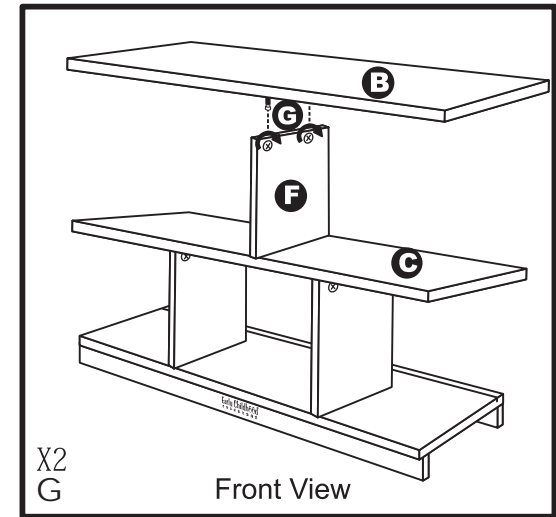
2 Attach the Base to the Middle Shelf



2A. Position Center Shelf(C) so the attached Metal Dowels(G) enter holes in the Dividers(F) as shown.

2B. Turn Cams(L) with a Phillips Head Screwdriver until locked onto Metal Dowels(G).

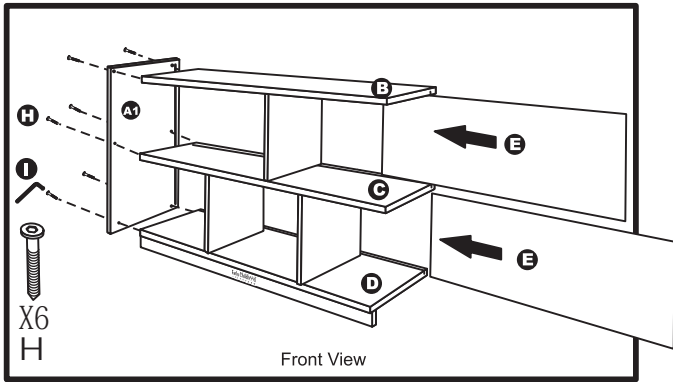
3 Attach the Top Shelf



3A. Attach 2 Metal Dowels(G) into the plastic plugs located underneath Top Shelf(B).

3B. Position Top Shelf(B) so the attached Metal Dowels(G) enter the holes in the top of Divider(F) as shown. Turn Cams(L) with a Phillips Head Screwdriver until locked onto Metal Dowels(G).

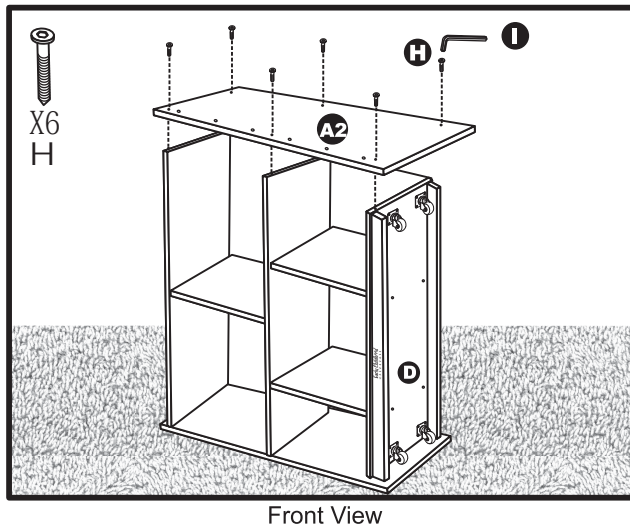
4 Insert the Backs and Attach the Top Shelf



4A. Insert the Back Panels(E) into the grooves between the Top Shelf(B), Middle Shelf(C) and Bottom Shelf(D) until fully inserted into the slot.

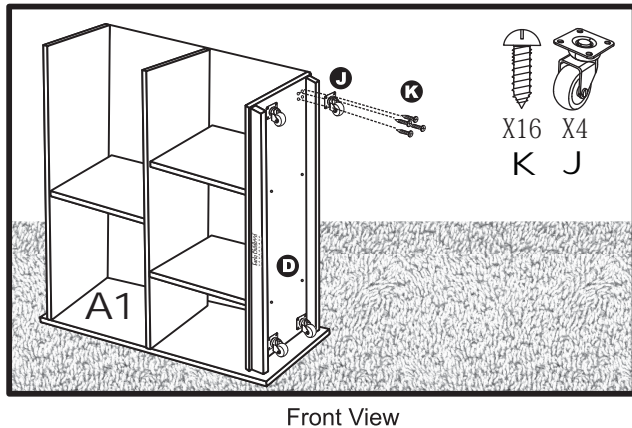
4B. Attach Left Side (A1) to the Shelves(B,C,D) using 6 Screws(H) as shown. Tighten using the Hex Key Tool(L).

6 Attach the Right Side Panel



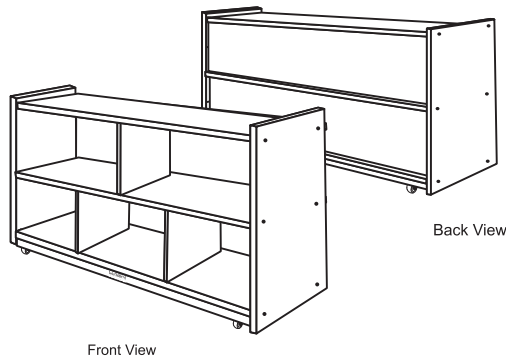
6. With the unit still on its side, attach the Right Side Panel(A2) using 6 Screws(H) as shown. Tighten with the Hex Key Tool(I).

5 Attach the Wheel Casters (Optional)



5. On a carpet or protected surface, carefully lay unit onto the Left Side(A1). Attach the 4 optional Wheel Casters(J) underneath the Bottom Shelf(D) using 4 Caster Screws(K) for each caster (16 total). Tighten with a Phillips Head Screwdriver.

7 You are done!



CAUTION:

- Do not allow children to climb on shelves.
- Do not use as a ladder, seat or cart.



We appreciate your purchase of the 5-Compartment Storage Cabinet. Early Childhood Resources® has made every effort to supply a quality product, that with proper use and care, will bring you many years of trouble free use!

Care and Cleaning

Clean wood with a damp cloth or sponge using warm water and mild soap. Wipe dry.

Do not place near heat, moisture or vaporizer which may cause wood to warp and peel.

Check for loose or worn parts periodically and tighten or replace as necessary.



“Early Childhood Resources® guarantees the quality of all of our products. You can trust the quality and safety of our furniture and materials, along with the peace of mind that our products are made to last. If for any reason, you are not satisfied with the quality and workmanship of our products, we will replace the item or refund the sale.”

Record the Purchase Order Number here. Information is located on a label enclosed, and on the shipping carton. Place label and this sheet in an accessible place.

Model Number: ELR-0625 ELR-0626
(Circle One)

Purchase Order Number: _____