

BEFORE ASSEMBLING,
MAKE SURE THERE
ARE NO
MISSING PARTS.

PARTS LIST

- A1** Left Side Panel
- A2** Right Side Panel
- B** Top Shelf
- C** Center Top Shelf
- D** Center Bottom Shelf
- E** Bottom Shelf
- F** Backs (3)
- G** Shelf Dividers (5)
- H** Metal Dowels (10)
- I** Large Hex Screw (26)
- J** Allen Wrench
- K** Wheel Casters (4)
- L** Caster Screw (16)
- M** Cams (10)

NOTE:
A Phillips Head Screwdriver
will be needed for
assembly (not included)



TIP!
DO NOT FULLY
TIGHTEN SCREWS
UNTIL ALL SCREWS
HAVE BEEN LOOSELY
POSITIONED.

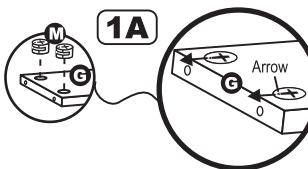
WARNING:
Two
Adult Assembly Required.

- Contains small parts, sharp points and edges.
- Do not stand, sit, kneel, climb, lean or pull on unit for support.
- Never leave children unattended.
- Do not place unit near high heat or moisture.
- Adult Supervision Recommended.

If you experience any difficulties with this product, please email us at customerservice@ecr4kids.com or call toll-free at (888) 227-9028 (Mon. through Fri., 8:00am to 4:00pm Eastern Standard Time)

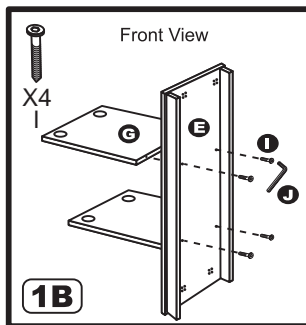
Please do not return to place of purchase as Early Childhood Resources

1 Attach the Dividers to the Bottom and Center Shelves

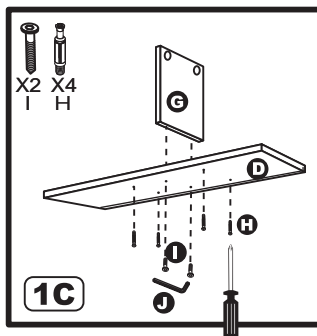


1A. Insert 4 Cams(M) into large holes on the inside of a 2 Dividers(G). Make sure arrows on Cams(M) point toward holes in the closest edge.

1B. Attach the 2 Dividers(G) to the Bottom Shelf(E) using 4 Large Hex Screws(I). Tighten with the Allen Wrench(J).



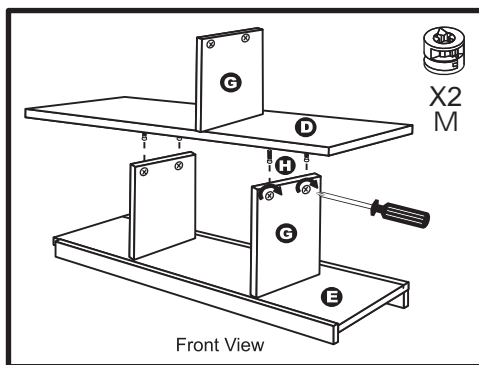
1C. Insert 4 Metal Dowels(H) into the plastic plugs located underneath the Center Bottom Shelf(D). Tighten with a Phillips Screwdriver. Attach the Divider(G) to the Center Bottom Shelf(D) using 2 Large Hex Screws(I). Tighten with the Allen Wrench(J).



2 Attach the Center Bottom Shelf

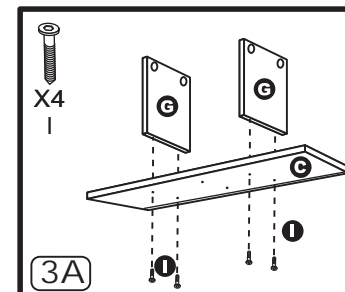
2A. Insert 2 Cams (M) into the Divider(G). Make sure arrows on Cams (M) point toward holes in the closest edge.

2B. Position Center Bottom Shelf(D) so the attached Metal Dowels(H) enter the holes in the top edges of the 2 lower Dividers(G) as shown. Turn Cams(M) with a Phillips Head Screwdriver until locked onto the Metal Dowels(H).

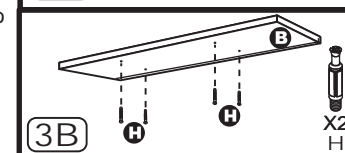


3 Assemble the Top Section

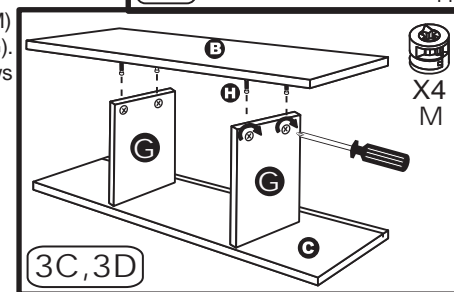
3A. Attach the 2 Dividers(G) to the Center Top Shelf(C) using 4 Large Hex Screws(I). Tighten with the Allen Wrench(J).



3B. Insert 4 Metal Dowels(H) into the plastic plugs located under Top Shelf(B). Tighten with the Phillips Head Screwdriver.



3C. Insert 4 Cams(M) into the 2 Dividers(G). Make sure the arrows on Cams(M) point toward the holes in the closest edge.



3D. Position Top Shelf(B) so the attached Metal Dowels(H) enter the holes in the top edge of the Dividers(G) as shown. Turn the Cams(M) with a Phillips Head Screwdriver until locked onto the Metal Dowels(H).

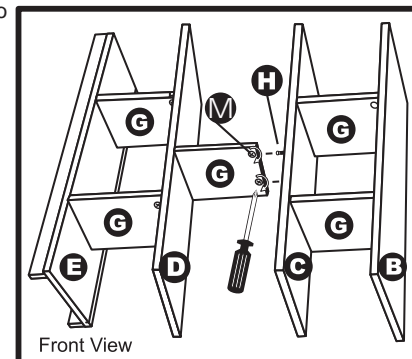
4 Attach the Top and Bottom Sections

4A. **Two Adults Suggested:** On a carpet or protected surface, carefully lay the assembled components on their backs, facing upward.

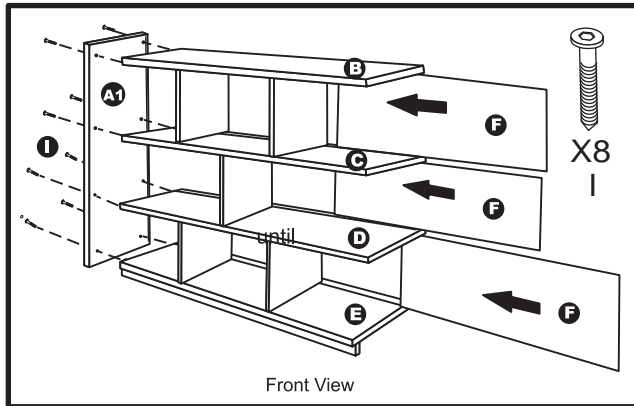
4B. Insert 2 Metal Dowels(H) into the plastic plugs located under the Center Top Shelf(C). Tighten with the Phillips Head Screwdriver.

4C. Insert 2 Cams(M) into the last Divider(G). Make sure arrows on Cams(M) point toward the holes in the closest edge.

4D. Position the Top Divider Section(B,G,C) so the attached Metal Dowels(H) enter holes in the top edge of the Divider(G) that is attached to the Bottom Divider Section(G,D,E) as shown.



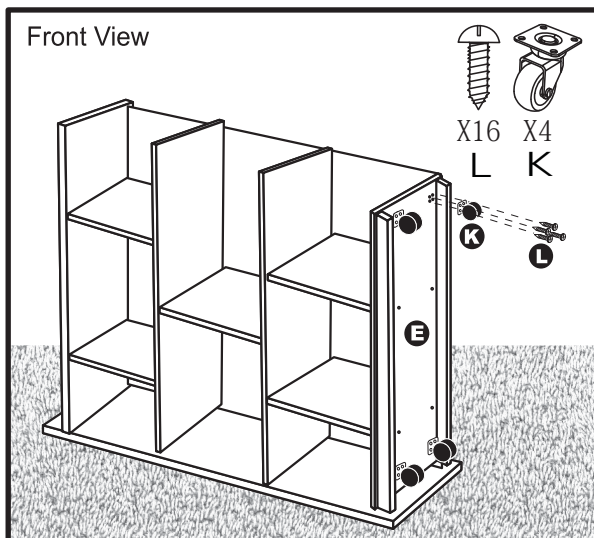
5 Attach the Left Side and Backs



Attach Left Side (A1) with 8 Screws (I), using Allen Wrench (J). Slide Backs (F) into grooves between shelves (B,C) (C,D) & (D,E) until fully inserted into slot in left side (A1).

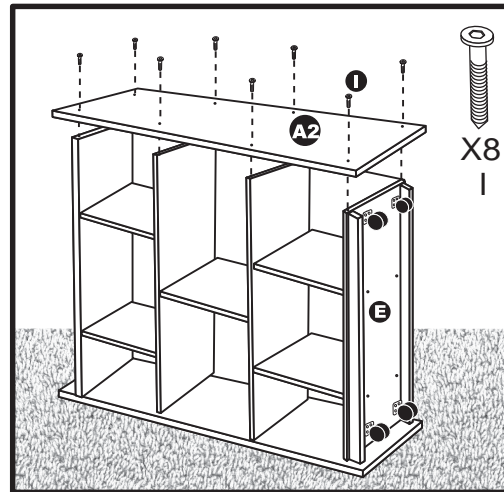
6 Attach the Wheel Casters* * *Optional*

On a carpet or protected surface, carefully lay unit onto it's left side. Attach 4 Wheel Casters (K) to holes underneath Bottom Shelf(E) with 16 Caster Screws(L), 4 in each. Tighten using a Phillips Head Screwdriver.



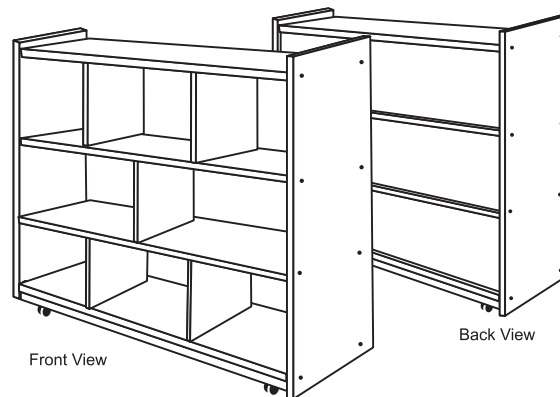
7 Attach the Right Side

With unit still on it's side, attach Right Side (A2), with 8 Screws (I), using Allen Wrench (J).



8 Tighten all Screws - You're done!

Make sure all screws are fully tightened before using. Periodically check screws and tighten as necessary.



CAUTION:

- Do not allow children to climb on shelves.
- Do not use as a ladder, seat or cart.

Early Childhood RESOURCES

We appreciate your purchase of the 8-Compartment Storage Cabinet. Early Childhood Resources® has made every effort to supply a quality product, that with proper use and care, will bring you many years of trouble free use!

Care and Cleaning

Clean wood with a damp cloth or sponge using warm water and mild soap. Wipe dry.

Do not place near heat, moisture or vaporizer which may cause wood to warp and peel.

Check for loose or worn parts periodically and tighten or replace as necessary.



"Early Childhood Resources® guarantees the quality of all of our products. You can trust the quality and safety of our furniture and materials, along with the peace of mind that our products are made to last. If for any reason, you are not satisfied with the quality and workmanship of our products, we will replace the item or refund the sale."

Record the Purchase Order Number here. Information is located on a label enclosed, and on the shipping carton. Place label and this sheet in an accessible place.

Model Number: ELR-0627

Purchase Order Number: _____