

Left Unit

- A1 Left Side Panel
- A2 Right Side Panel
- B Top Shelf
- C1 Middle Shelf(1)
- C2 Middle Shelf(2)
- D Bottom Shelf
- E Back Panel(5)
- F Divider(4)

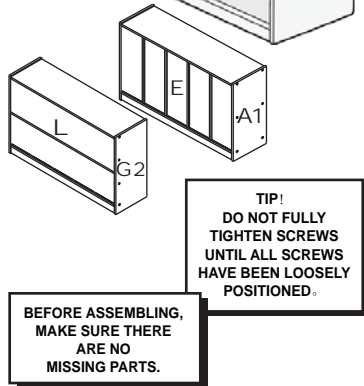
Right Unit

- G1 Right Side Panel
- G2 Left Side Panel
- H Top Shelf
- I Middle Shelf
- J Divider(3)
- K Bottom Shelf
- L Back Panel(2)

Hardware

- M Metal Dowel(14)
- N Large Hex Screw(38)
- O Wheel Caster(8)
- P Caster Screw(32)
- Q Cam(14)
- S Hex Key Tool
- T Piano Hinge
- U Post(12)
- V Post Screw(12)
- W Safety Hasp with 7 Screws

NOTE:
A Phillips Head Screwdriver will be needed for Assembly(not included)

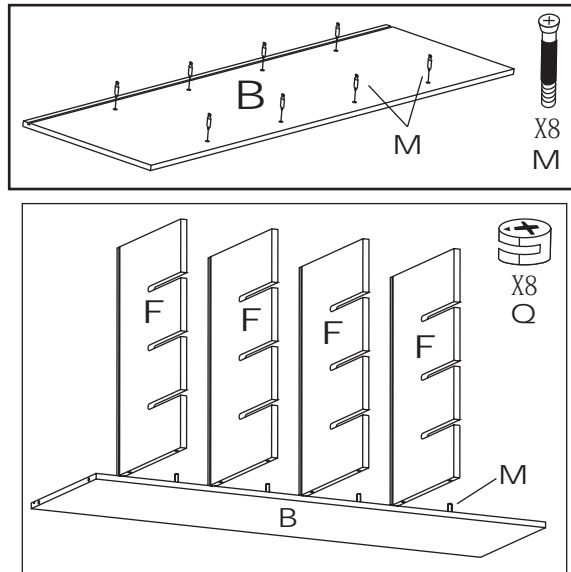


- WARNING:**
- **Adult Assembly Required.** Two adults recommended.
 - Contains small parts, sharp points and edges.
 - Do not stand, sit, kneel, climb, lean or pull on unit for support.
 - Never leave children unattended.
 - Do not place unit near high heat or moisture.
 - **Adult Supervision Recommended.**

If you experience any difficulties with this product, please email us at customerservice@ecr4kids.com or call toll-free at (888) 227-9028 (Mon. through Fri., 8:00am to 4:00pm Eastern Standard Time)

Please do not return to place of purchase as Early Childhood Resources will replace defective part(s) and/or product.

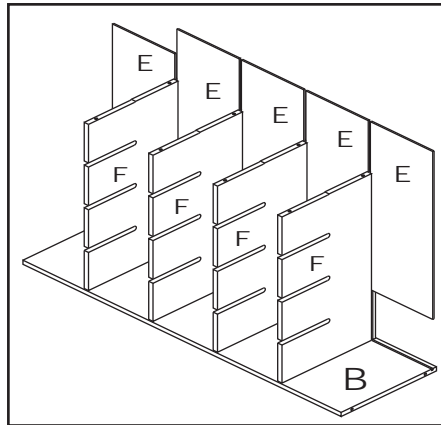
1 Attach the Dividers to the Top Shelf



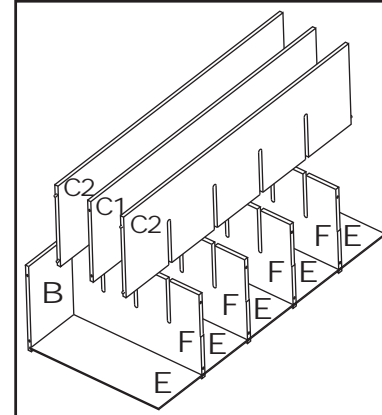
- 1A. Place the Top Shelf(B) top-down on a carpet or protected surface. Insert 8 Metal Dowels(M) into the plastic plugs located underneath the Top Shelf(B). Tighten with a Phillips Head Screwdriver.
- 1B. Insert 2 Cams(Q) into the large holes in each of the Dividers(F). Make sure the arrows on Cams(Q) point toward the holes in the closest edge.
- 1C. Position the Top Panel(B) so the attached Metal Dowels(M) enter the holes in the top edge of the Dividers(F). Turn Cams(Q) with a Phillips Head Screwdriver until locked onto the Metal Dowels(M).

2 Insert the Back Panels

2. Slide the Back Panels(E) into the grooves between the Dividers(F) until fully inserted into the slot as shown.

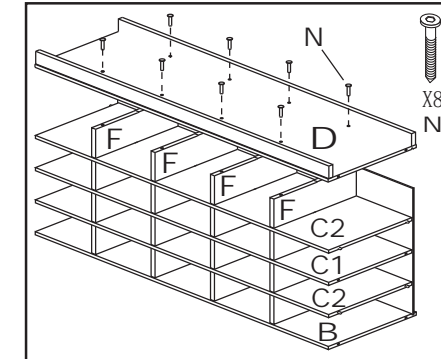


3 Insert the Middle Shelves



- 3A. **Two Adults Suggested:** Carefully lay the unit down on its back. Insert a Middle Shelf(C2) into the bottom slots on the Dividers(F) as shown until fully inserted.
- 3B. Insert a Middle Shelf(C1) into the middle slots on the Dividers(F) as shown until fully inserted.
- 3C. Insert a Middle Shelf(C2) into the top slots on the Dividers(F) as shown until fully inserted.

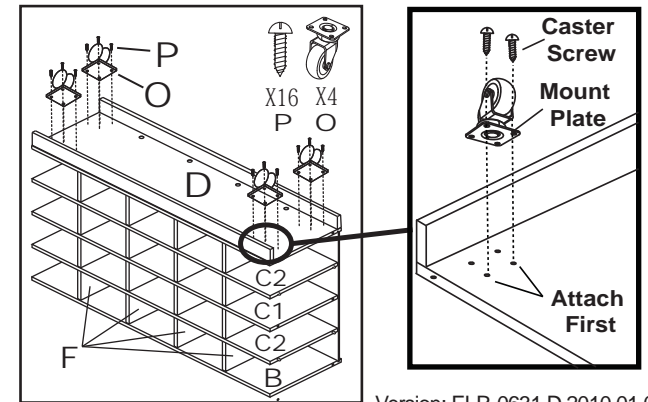
4 Attach the Divider Section to the Base



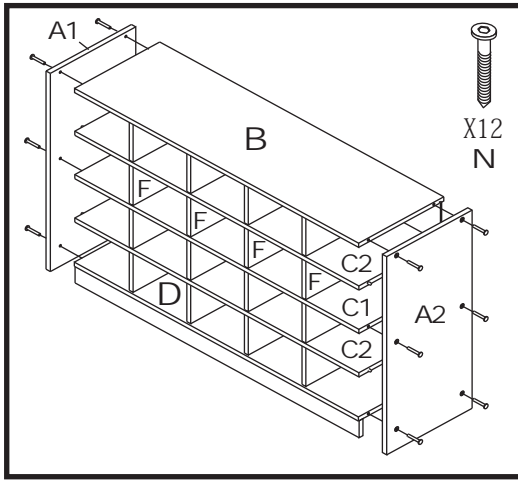
- 4A. **Two Adults Suggested:** Carefully turn the unit upside down to rest on Top Shelf(B).
- 4B. Attach the Base to the Divider Section(F,E,C1,C2) using 8 Large Hex Screws(N). Tighten with the Hex Key Tool(S).

5 Attach the Wheel Casters

5. Beginning with the holes on the inside of the Wheel Caster(O) mount plate, attach the 4 Wheel Casters(O) to the Base(D) using 16 Caster Screws(P). Tighten with a Phillips Screwdriver.



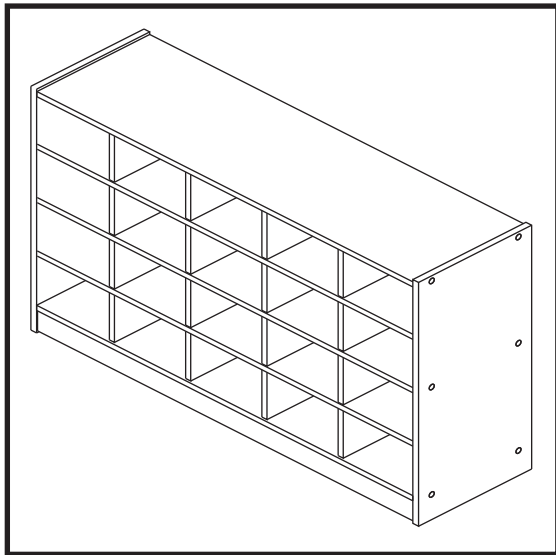
6 Attach the Side Panels



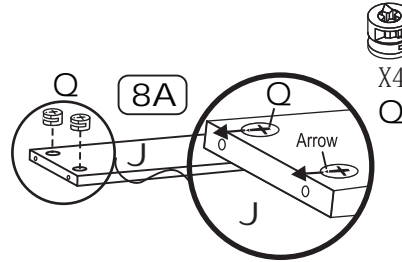
6A. **Two Adults Suggested:** Carefully turn the assembled unit upright as shown.

6B. Attach Left Side(A1) and Right Side Panels(A2) to the Middle Shelf(C1), Top Shelf(B) & Bottom Shelf(D) with 12 Large Hex Screws(N), using 6 per side. Tighten using the Hex Key Tool(S).

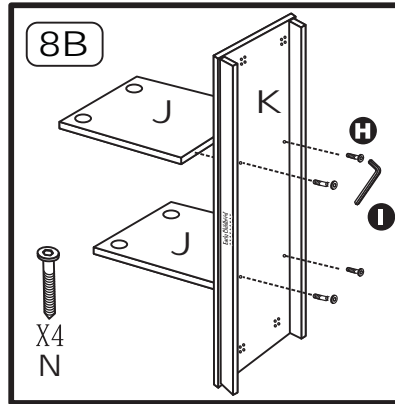
7 The Left Unit is Done - On to the Right Side!



8 Attach the Bottom Dividers to the Base

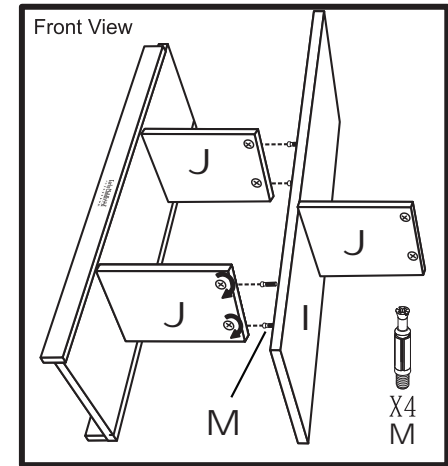


8A. Insert 4 Cams(Q) into the large holes in 2 Dividers(J), using 2 in each. Make sure the arrows on Cams(Q) point toward holes in the closest edge.



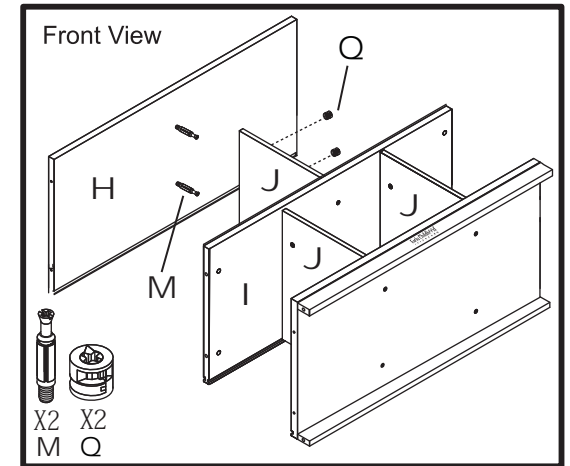
8B. Attach 2 Dividers(J) to the Base(K) with 4 Large Hex Screws(N), using 2 in each as shown. Tighten using the Hex Key Tool(S).

9 Attach the Middle Shelf



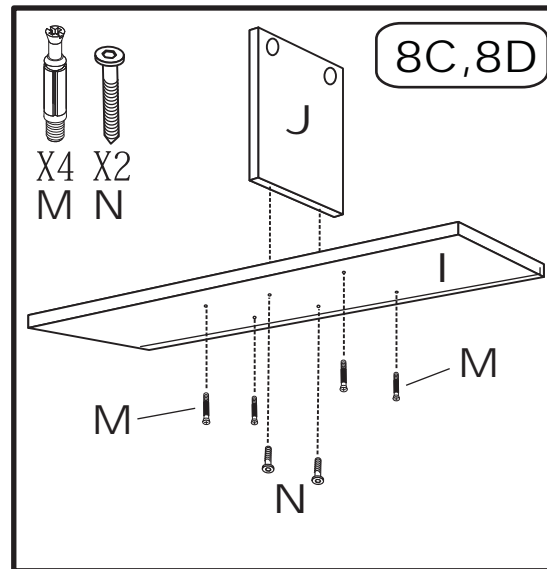
9. Position the Middle Shelf(I) so the attached Metal Dowels(M) enter the holes in the top edge of the 2 lower Dividers(J) as shown. Turn the Cams(Q) with a Phillips Screwdriver until locked onto the Metal Dowels(M).

10 Attach the Top Shelf



10A. Insert 2 Metal Dowels(M) into the plastic plugs located underneath the Top Shelf(H). Tighten using a Phillips Screwdriver.

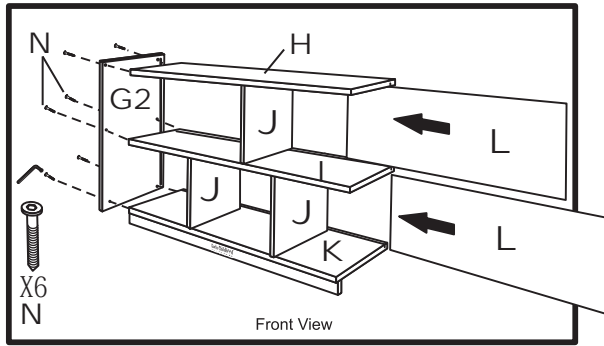
10B. Position the Top Shelf(H) so the attached Metal Dowels(M) enter holes in the top edge of the Divider(J) as shown. Turn Cams(Q) with a Phillips Screwdriver until locked onto the Metal Dowels(M).



8C. Insert 4 Metal Dowels(M) into the plastic plugs located underneath the Middle Shelf(I). Tighten with a Phillips Screwdriver.

8D. Secure the third Divider(J) to the Middle Shelf(I) using 2 Large Hex Screws(N). Tighten with the Hex Key Tool(S).

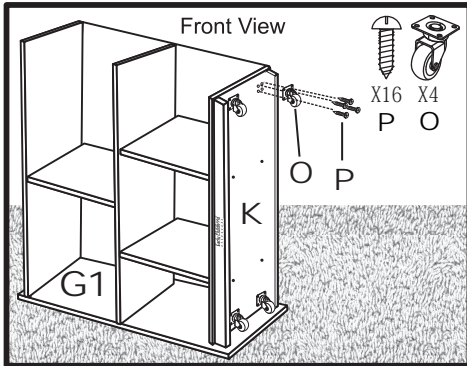
11 Attach the Back Panels and Left Side



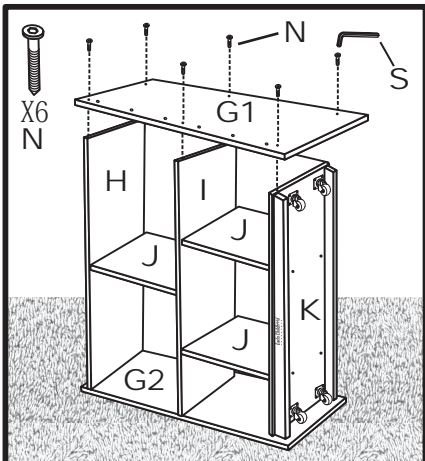
11A. Slide Back Panels(L) into the grooves between Shelves(H,I,K) until fully inserted into the slot as shown.

11B. Attach the Left Side Panel(G2) to the assembled unit using 6 Large Hex Screws(N). Tighten with the Hex Key Tool(S).

12 Attach the Right Side and Wheel Casters

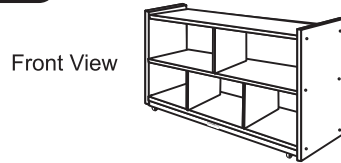


12A. On a carpet or protected surface, lay the unit on the Left Side(G1). Attach 4 Wheel Casters(O) underneath Bottom Shelf(K) using 4 Caster Screws(P) for each caster (16 total). Tighten with a Phillips Head Screwdriver.



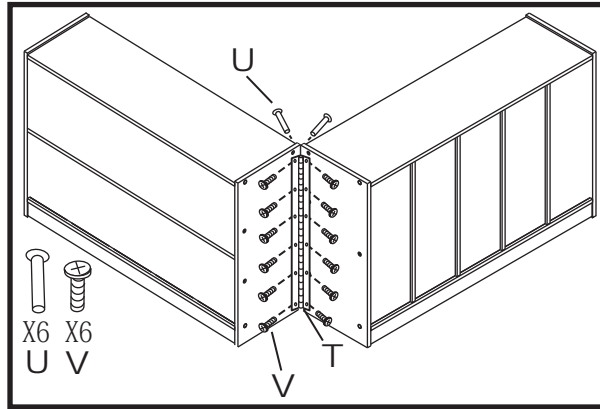
12B. With the unit still on its side, attach Right Side Panel(G1) using 6 Large Hex Screws(N) as shown. Tighten with the Hex Key Tool(S).

13 The Right Unit is done!



Note: Make sure all screws and cams are fully tightened.

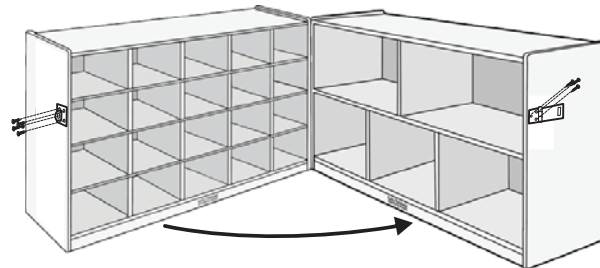
14 Attach the Hinge



14. Fasten the Piano Hinge(T) to the Right Side(A2) of the Left Unit and the Left Side(G2) of the Right assembled units using 6 Posts(U) and 6 Post Screws(V) as shown.

Insert the Posts(U) into the holes on the inside of Right Side(A2) and Left Side(G2). Insert the Post Screws(V) into the same holes from the outside of the same panels, and tighten with a Phillips Head Screwdriver.

15 Attach the Hasp and Tighten All Hardware



15. Install the Safety Hasp(W) to the outside of the unit using the 7 screws provided.

Note: Before tightening the screws fully, make sure the Hasp Hinge Barrel lines up and engages the Hasp Loop when the unit is closed, and that the hasp folds flat against the unit when not in use.

Tighten all screws and hardware fully before using. Secure the Hasp(W) with a padlock (not included) if desired.

CAUTION:

- Do not allow children to climb on shelves.
- Do not use as a ladder, seat or cart.

Early Childhood RESOURCES

We appreciate your purchase of the Combo Fold & Lock with 20-Tray and 5-Compartment Cabinet. Early Childhood Resources® has made every effort to supply a quality product, that with proper use and care, will bring you many years of trouble free use!

Care and Cleaning

Clean wood with a damp cloth or sponge using warm water and mild soap. Wipe dry.

Do not place near heat, moisture or vaporizer which may cause wood to warp and peel.

Check for loose or worn parts periodically and tighten or replace as necessary.



"Early Childhood Resources® guarantees the quality of all of our products. You can trust the quality and safety of our furniture and materials, along with the peace of mind that our products are made to last. If for any reason, you are not satisfied with the quality and workmanship of our products, we will replace the item or refund the sale."

Record the Purchase Order Number here. Information is located on a label enclosed, and on the shipping carton. Place label and this sheet in an accessible place.

Model Number: ELR-0631

Purchase Order Number: _____