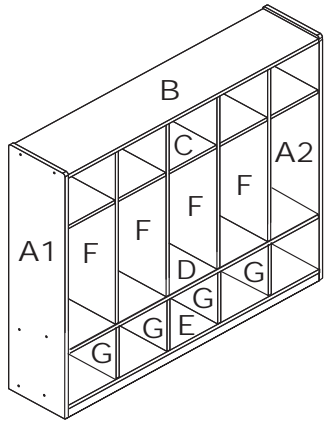
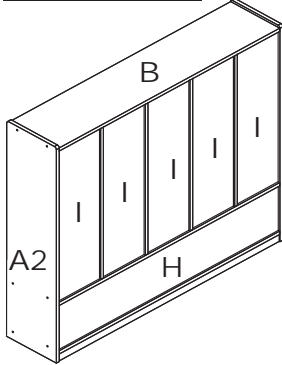


5-Section Coat Locker without Bench

Model # ELR-0633



TIP!
DO NOT FULLY TIGHTEN SCREWS UNTIL ALL SCREWS HAVE BEEN LOOSELY POSITIONED.



PARTS LIST

- A1** Left Side Panel
- A2** Right Side Panel
- B** Top Shelf
- C** Upper Center Shelf
- D** Lower Center Shelf
- E** Bottom Shelf
- F** Upper Divider(4)
- G** Lower Divider(4)
- H** Lower Back
- I** Upper Back(5)
- J** Metal Dowels(16)
- K** Round Hex Head Screw(24)
- L** Flat Hex Head Screw(8)
- M** Hex Key Tool
- N** Hooks(10)
- O** Posts(12)
- P** Post Screws(12)
- Q** Cams(16)

NOTE:
A Phillips Head Screwdriver will be needed for assembly (not included)



BEFORE ASSEMBLING, MAKE SURE THERE ARE NO MISSING PARTS.

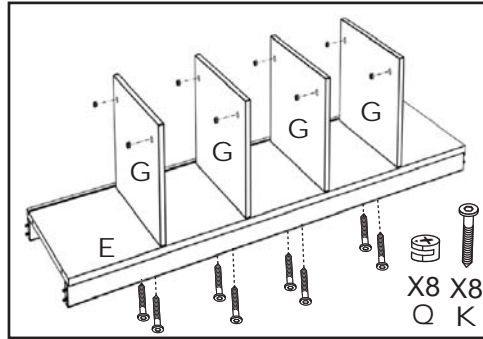
WARNING:

- **Adult Assembly Required.** Two adults recommended.
- Contains small parts, sharp points and edges.
- Do not stand, sit, kneel, climb, lean or pull on unit for support.
- Never leave children unattended.
- Do not place unit near high heat or moisture.
- Adult Supervision Recommended.

If you experience any difficulties with this product, please email us at customerservice@ecr4kids.com or call toll-free at (888) 227-9028 (Mon. through Fri., 8:00am to 4:00pm Eastern Standard Time)

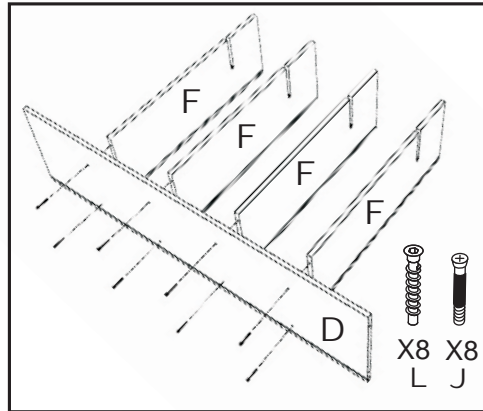
Please do not return to place of purchase as Early Childhood Resources will replace defective part(s) and/or product.

1 Attach Lower Dividers to Bottom Panel



1A. Attach 4 Lower Dividers(G) to the Base(E) using 8 Round Hex Head Screws(K), using 2 in each. Tighten with the Hex Key Tool(L).

2 Attach the Upper Dividers to the Lower Center Shelf



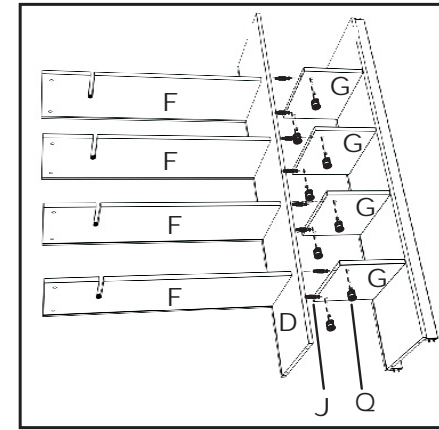
2A. **Two Adults Suggested:** On a carpet, or protected surface, attach Upper Dividers(F) to the Lower Center Shelf(D) using 8 Flat Hex-Head Screws(L), using 2 in each. Tighten with the Hex Key Tool(M).

2B. Insert 8 Metal Dowels(J) into the plastic plugs located underneath Lower Center Shelf(D). Tighten with a Phillips Head Screwdriver.

3 Attach the Top Section to the Bottom Section

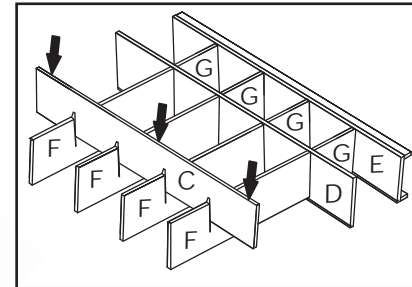
3A. Lay the assembled Base(E,G) on its back, facing upward. Insert 8 Cams(Q) into the large holes located in the 4 Lower Dividers(G), using 2 in each. Make sure the arrows on Cams(Q) point toward the holes in the closest ends.

3B. **Two Adults Suggested:** Position the assembled Upper Section(D,F) so the Metal Dowels(J) attached to Lower Center Shelf(D) enter the holes in the top edges of the Lower Dividers(G) as shown.

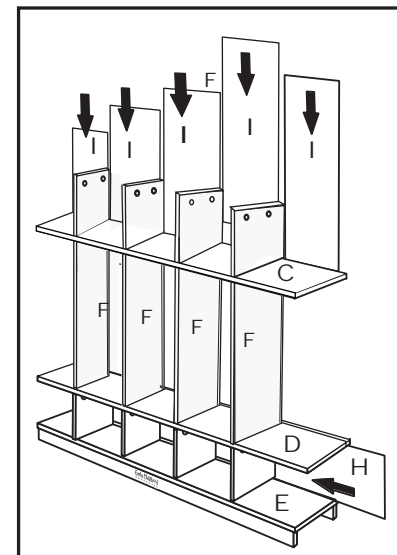


3C. Turn Cams(Q) with a Phillips Head Screwdriver until locked onto the Metal Dowels(J).

4 Attach the Upper Center Shelf and Back Panels



4A. Insert Upper Center Shelf(C) onto the slots in the 4 Upper Dividers(F) as shown, until fully engaged.

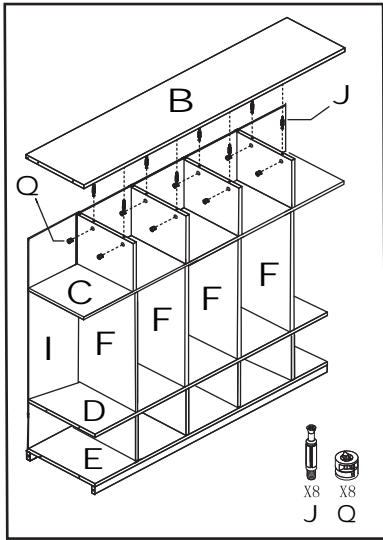


4B. **Two Adults Suggested:** Carefully stand the unit upright.

4C. Slide the 5 Upper Backs(I) into the grooves between the Upper Dividers(F) and into the groove in the Lower Middle Shelf(D) until fully inserted.

4D. Slide the Lower Back(H) into the grooves between Lower Middle Shelf(D) and Bottom Shelf(E) until fully inserted.

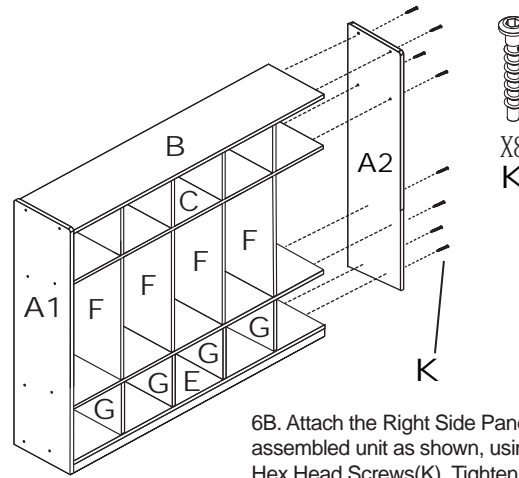
5 Attach the Top Shelf



5A. Insert 8 Metal Dowels(J) into the plastic plugs located underneath Top Shelf(B). Tighten with a Phillips Screwdriver.

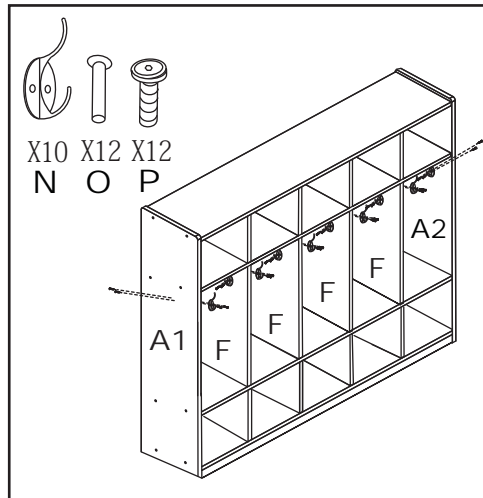
5B. Insert 2 Cams(Q) into the large holes in each of the 4 Upper Dividers(F). Make sure the arrow on the Cams(Q) point toward the holes in the closest edge.

5C. Position Top Shelf(B) so the attached Metal Dowels(J) enter the holes in top edges of the Upper Dividers (F). Turn Cams(Q) with Phillips Screwdriver until locked onto the Metal Dowels(J).



6B. Attach the Right Side Panel(A2) to the assembled unit as shown, using 8 Round Hex Head Screws(K). Tighten using the Hex Key Tool(M).

7 Attach the Coat Hooks



7A. Attach 8 Hooks(N) to the 4 Upper Dividers(K) using 8 Posts(O) and 8 Post Screws(P). Tighten with a Phillips Head Screwdriver.

7B. Attach 8 Hooks(N) to the Side Panels (A1,A2) using 4 Posts(O) and 4 Post Screws(P). Tighten with a Phillips Head Screwdriver.

8 You are done!



CAUTION:

- Do not allow children to climb or stand on shelves.
- Do not use as a stepladder.

Early Childhood RESOURCES

We appreciate your purchase of the 5-Section Coat Locker without Bench. Early Childhood Resources has made every effort to supply a quality product, that with proper use and care, will bring you many years of trouble free use!

Care and Cleaning

Clean wood with a damp cloth or sponge using warm water and mild soap. Wipe dry.

Do not place near heat, moisture or vaporizer which may cause wood to warp and peel.

Check for loose or worn parts periodically and tighten or replace as necessary.



“Early Childhood Resources® guarantees the quality of all of our products. You can trust the quality and safety of our furniture and materials, along with the peace of mind that our products are made to last. If for any reason, you are not satisfied with the quality and workmanship of our products, we will replace the item or refund the sale.”

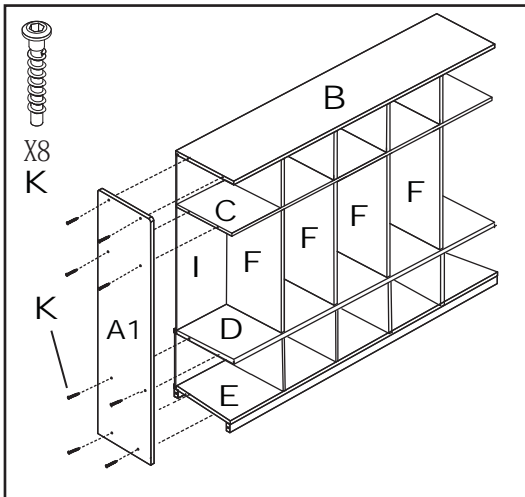
Record the manufacture date here. Information is located on a label enclosed, and on the shipping carton. Place label and this sheet in an accessible place.

Model Number: ELR-0633

Manufacture Date: _____

Purchase Order Number: _____

6 Attach the Side Panels



6A. Attach the Left Side Panel(A1) to the assembled unit as shown, using 8 Round Hex Head Screws(K). Tighten using the Hex Key Tool(M).