

**BEFORE ASSEMBLING,
MAKE SURE THERE
ARE NO
MISSING PARTS.**

**TIP!
DO NOT FULLY
TIGHTEN SCREWS
UNTIL ALL SCREWS
HAVE BEEN LOOSELY
POSITIONED.**

PARTS LIST

- A1** Left Side Panel
- A2** Right Side Panel
- B** Top Shelf
- C1** Middle Shelf(1)
- C2** Middle Shelf(2)
- D** Bottom Shelf
- E** Back Panel(5)
- F** Divider(4)
- G** Large Hex Screw(20)
- H** Metal Dowels(8)
- I** Hex Key Tool
- J** Wheel Casters(4)
- K** Caster Screws(16)
- L** Cams(8)

NOTE:
A Phillips Head Screwdriver
will be needed for
Assembly(not included)



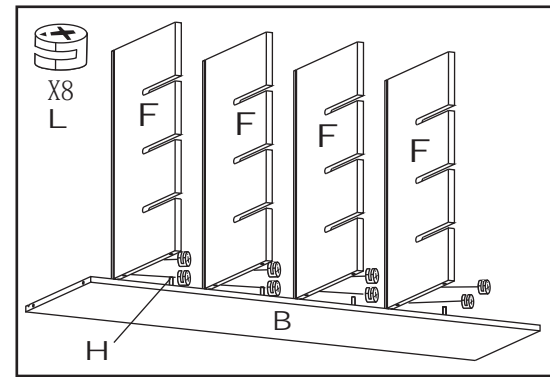
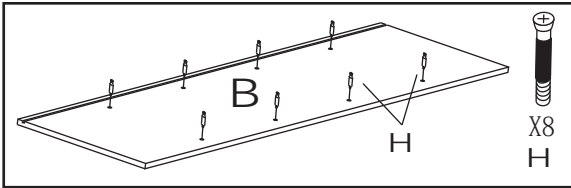
! WARNING:

- **Adult Assembly Required.** Two adults recommended.
- Contains small parts, sharp points and edges.
- Do not stand, sit, kneel, climb, lean or pull on unit for support.
- Never leave children unattended.
- Do not place unit near high heat or moisture.
- **Adult Supervision Recommended.**

If you experience any difficulties with this product, please email us at customerservice@ecr4kids.com or call toll-free at (888) 227-9028 (Mon. through Fri., 8:00am to 4:00pm Eastern Standard Time)

Please do not return to place of purchase as Early Childhood Resources will replace defective part(s) and/or product.

1 Attach the Dividers to the Top Shelf



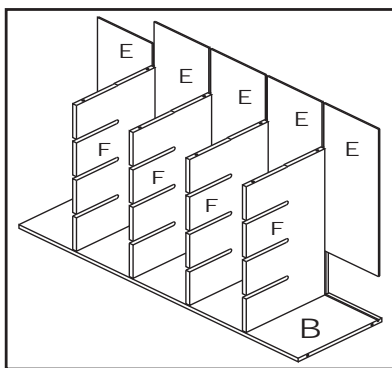
1A. Place the Top Shelf(B) top-down on a carpet or protected surface. Insert 8 Metal Dowels(H) into the plastic plugs located underneath the Top Shelf(B). Tighten with a Phillips Head Screwdriver.

1B. Insert 2 Cams(L) into the large holes in each of the Dividers(F). Make sure the arrows on Cams(L) point toward the holes in the closest edge.

1C. Position the Top Panel(B) so the attached Metal Dowels(H) enter the holes in the top edge of the Dividers(F). Turn Cams(L) with a Phillips Head Screwdriver until locked onto the Metal Dowels(H).

2 Insert the Back Panels

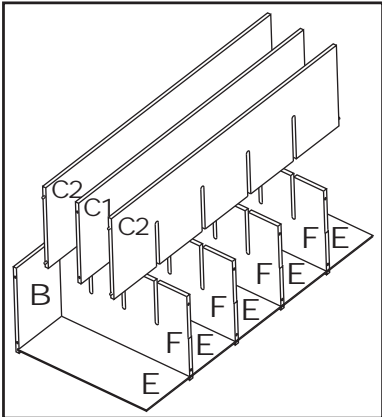
2. Slide the Back Panels(E) into the grooves between the Dividers(F) until fully inserted into the slot as shown.



TIP:

- If the Back Panel does not slide easily into the grooves, wiggle the Back while pushing the panel into the slot.
- You may also turn the rear Cams on the shelf above or below to unlock, push the Back until fully inserted into the slot, then turn Cams to the locked position again.

3 Insert the Middle Shelves

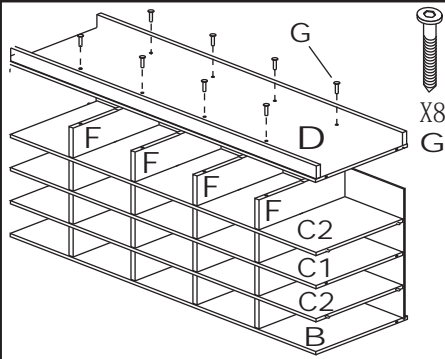


3A. **Two Adults Suggested:** Carefully lay the unit down on its back. Insert a Middle Shelf(C2) into the bottom slots on the Dividers(F) as shown until fully inserted.

3B. Insert a Middle Shelf(C1) into the middle slots on the Dividers(F) as shown until fully inserted.

3C. Insert a Middle Shelf(C2) into the top slots on the Dividers(F) as shown until fully inserted.

4 Attach the Divider Section to the Base

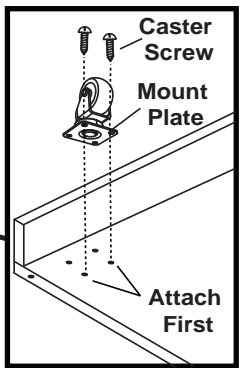
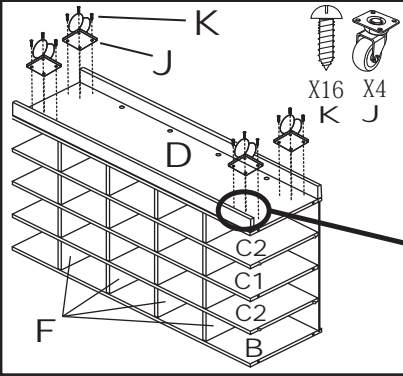


4A. **Two Adults Suggested:** Carefully turn the unit upside down to rest on Top Shelf(B).

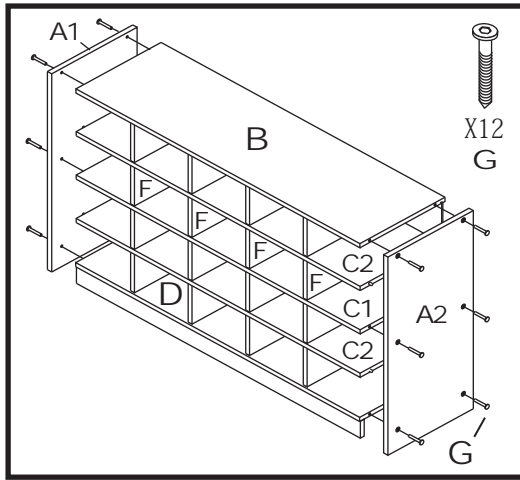
4B. Attach the Base to the Divider Section(F,E,C1,C2) using 8 Large Hex Screws(G). Tighten with the Hex Key Tool(I).

5 Attach the Wheel Casters

5. Beginning with the holes on the inside of the Wheel Caster(J) mount plate (opposite the kickplate on Base(D)), attach the 4 Wheel Casters(J) using 16 Caster Screws(K). Tighten with a Phillips Screwdriver.

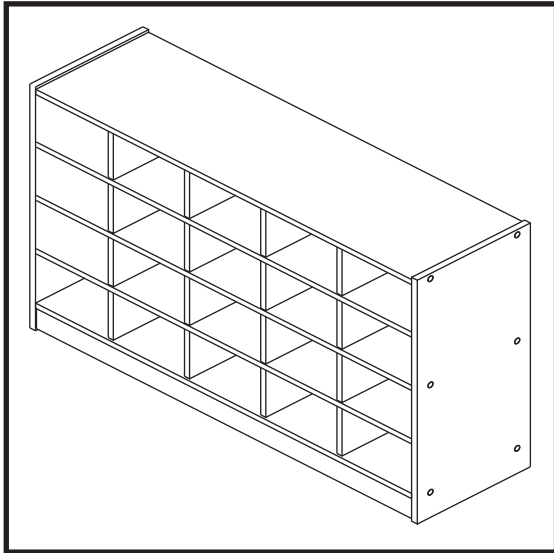


6 Attach the Side Panels



6. Attach the Left Side(A1) and Right Side Panels(A2) to the Middle Shelves(C1), Top Shelf(B) & Bottom Shelf(D) with 12 Large Hex Screws(G), using 6 per side. Tighten using the Hex Key Tool(I).

7 You are done!



CAUTION:

- Do not allow children to climb on shelves.
- Do not use as a ladder, seat or cart.

**Early Childhood
RESOURCES**

We appreciate your purchase of the 20-Tray Storage Cabinet. Early Childhood Resources® has made every effort to supply a quality product, that with proper use and care, will bring you many years of trouble free use!

Care and Cleaning

Clean wood with a damp cloth or sponge using warm water and mild soap. Wipe dry.

Do not place near heat, moisture or vaporizer which may cause wood to warp and peel.

Check for loose or worn parts periodically and tighten or replace as necessary.



"Early Childhood Resources® guarantees the quality of all of our products. You can trust the quality and safety of our furniture and materials, along with the peace of mind that our products are made to last. If for any reason, you are not satisfied with the quality and workmanship of our products, we will replace the item or refund the sale."

Record the Purchase Order Number here. Information is located on a label enclosed, and on the shipping carton. Place label and this sheet in an accessible place.

Model Number: ELR-0635

Purchase Order Number: _____