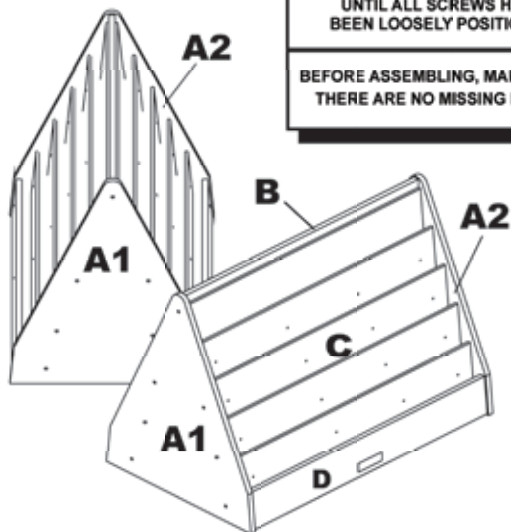


**Double-Sided Book Display**  
**Model#: ELR-0639**

**TIP!**  
 DO NOT FULLY TIGHTEN SCREWS UNTIL ALL SCREWS HAVE BEEN LOOSELY POSITIONED.  
 BEFORE ASSEMBLING, MAKE SURE THERE ARE NO MISSING PARTS.



**PARTS LIST**

- A1** Left Side Panel
- A2** Right Side Panel
- B** Center Panel
- C** Divider
- D** Front Panel(2)
- E** Bottom Shelf
- F** Hex-Head Screw(14)
- G** Wheel Caster(4)
- H** Caster Screw(16)
- I** Hex Key Tool

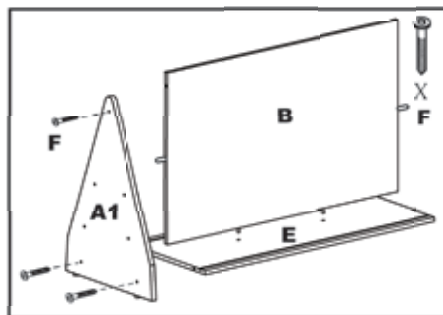
**WARNING:**

- Adult Assembly Required. Two adults recommended.**
- Contains small parts, sharp points and edges.
  - Do not stand, sit, kneel, climb, lean or pull on unit for support.
  - Never leave children unattended.
  - Do not place unit near high heat or moisture.
  - Adult Supervision Recommended.

If you experience any difficulties with this product, please contact us toll free at 1-888-227-9028 (Monday through Friday, 9:00am to 5:00pm Eastern Time).

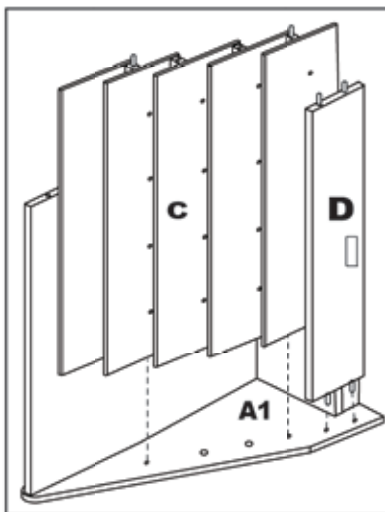
Please do not return to place of purchase. Early Childhood Resources will replace defective part(s) or product.

**1 Attach the Left Side to the Center Panel and Bottom Shelf**



- 1A. Attach Left Side Panel(A1) to the Bottom Shelf(E), using 2 Hex Head Screws(F). Tighten with Hex Key Tool(I).
- 1B. Position Center Panel(B) so the 2 pre-installed Wood Dowels underneath fit into the 2 holes in the top of Bottom Shelf(E), and the 1 pre-installed Wood Dowel on side end can fit into the Left Side Panel(A1)
- 1C. Secure Left Side Panel (A1) to the Center Panel(B) using 1 Hex Head Screw(F) as shown. Tighten with the Hex Key Tool(I).

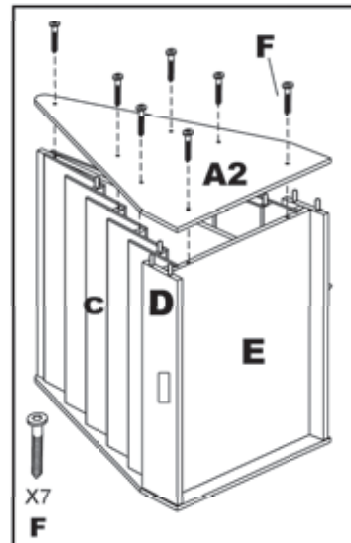
**2 Attach the Front Panel & Divider Sections to the Left Side**



**2A: Two Adults Suggested:** On a carpet or protected surface, carefully lay the unit onto its Left Side Panel(A1).

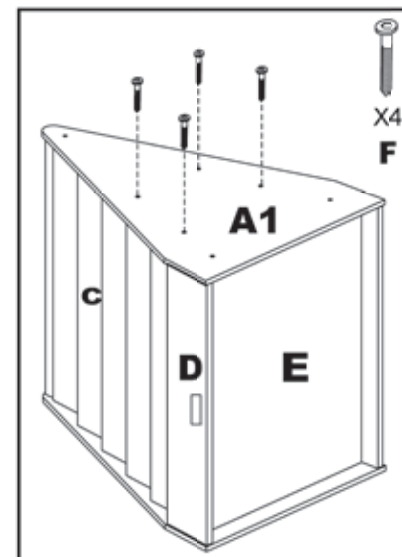
- 2B: Insert pre-assembled Divider(C), so the 2 attached wooden dowels on the side end are fully inserted into the holes Left Side Panel(A1).
- 2C: Insert the 2 Front Panels(D) so the 4 attached wooden dowels on the ends are fully inserted into the holes in Left Side Panel(A1).

**3 Attach the Right Side Panel**



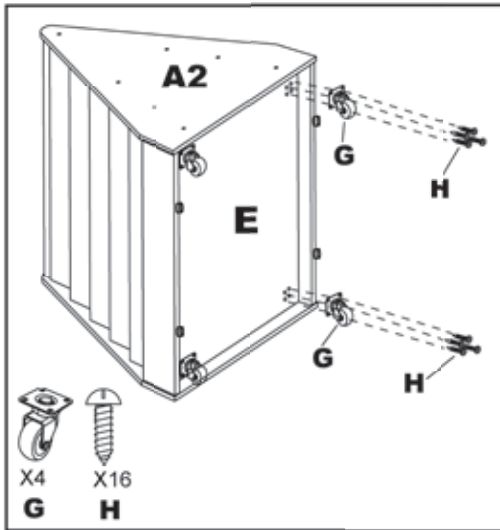
- 3A. Position Right Side Panel(A2) so the 9 attached Wooden Dowels that are in the ends of the 2 Front Panels(D), 2 Dividers(C) and Center Panel (B), can fit the holes on the inside of the panel.
- 3B. Secure the Right Side Panel(A2) to Bottom Shelf(E), the 2 Dividers(C) and Center Panel(B) using 7 Hex Head Screws(F). Tighten with the Hex Key Tool(I).

**4 Secure the Left Side Panel**



- 4A. **Two Adults Suggested:** On a carpet or protected surface, carefully lay unit onto its Left Side(A1).
- 4B. Secure Left Side Panel(A1) to the 2 Divider(C), using 4 Hex Head Screws(F). Tighten with the Hex Key Tool(I).

**5 Attach the Wheel Casters (Optional)**



5A. Two Adults Suggested: On a carpet or protected surface, carefully lay unit onto its Left Side(A1).

5B. Attach the 4 Wheel Casters(G) into the holes underneath the Bottom Shelf(E) using 4 Castor Screws(H) in each. Tighten with a Phillips Head Screwdriver.

**CAUTION:**

- Do not allow children to climb on shelves.
- Do not use as a ladder, seat or cart.



We appreciate your purchase of the Double-Sided Book Display. Early Childhood Resources® has made every effort to supply a quality product, that with proper use and care, will bring you many years of trouble free use!

**Care and Cleaning**

Clean wood with a damp cloth or sponge using warm water and mild soap. Wipe dry.

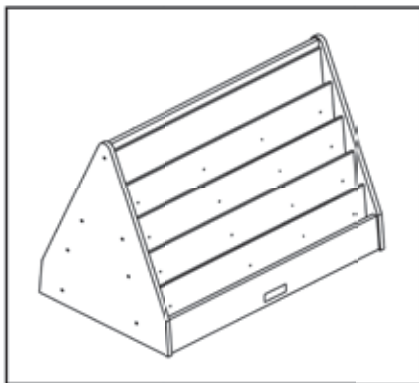
Do not place near heat, moisture or vaporizer which may cause wood to warp and peel.

Check for loose or worn parts periodically and tighten or replace as necessary.

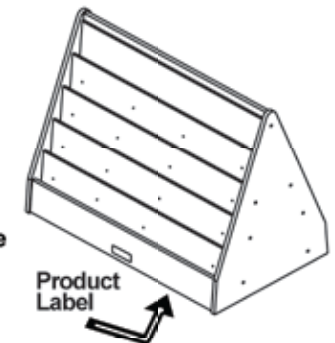


"Early Childhood Resources® guarantees the quality of all of our products. You can trust the quality and safety of our furniture and materials, along with the peace of mind that our products are made to last. If for any reason, you are not satisfied with the quality and workmanship of our products, we will replace the item or refund the sale."

**6 You are done!**



Record the Model Number and Batch ID from your shipping carton on the lines below. This information may also be found on a label enclosed. Place this sheet in an accessible place for future reference.



Model Number: **ELR-0639**

Purchase Order Number: ECR20 \_\_\_\_\_ - \_\_\_\_\_