

PARTS LIST

- A1** Left Side Panel
 - A2** Right Side Panel
 - B** Top Shelf
 - C** Center Shelf
 - D** Bottom Shelf
 - E** Back Panel
 - F** Divider(4)
 - G** Wall Brace-1
 - H** Wall Brace-2
 - I** Long Flat Hex Head Screw(4)
 - L** Cam(8)
 - M** Metal Dowel(8)
 - N** Hex Key Tool
 - O** Round Hex Head Screw(16)
 - P** Hooks(10)
 - Q** Small Phillips Screw(20)
 - R** Short Flat Hex Head Screw (4)
 - S** Self-Tapping Furniture Screws(2)
- NOTE:**
 A Phillips Head Screwdriver will be needed for assembly (not included)
- 

TIP!
 DO NOT FULLY TIGHTEN SCREWS UNTIL ALL SCREWS HAVE BEEN LOOSELY POSITIONED.

BEFORE ASSEMBLING, MAKE SURE THERE ARE NO MISSING PARTS.

WARNING:

- Adult Assembly Required. Two adults recommended.
- Contains small parts, sharp points and edges.
- **Maximum Weight Capacity: 200 lb. per Unit / 20 lb. per compartment**
- Intended for wall-mounted use only.
- Do not stand, sit, kneel, climb or pull on unit for support.
- Never leave children unattended.
- Do not place unit near high heat or moisture.
- Adult Supervision Recommended.

IMPORTANT!
 Be sure to read all of the assembly instructions in their entirety before attempting to assemble and install this unit.

If unit is improperly installed, extensive damage and/or serious injury may occur.

You will need to consult a professional handyman, carpenter or maintenance person to install the unit to the wall.

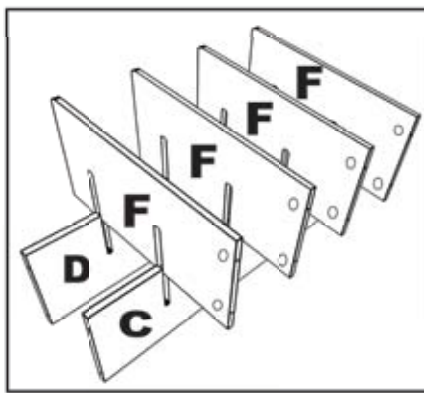
Disclaimer:
 Early Childhood Resources and/or the Distributor of this product shall in no way be responsible for any personal injury or damages due to improper use or installation of this product. It is solely the installer's responsibility to determine the appropriate hardware required to safely support the combined weight of this unit plus its contents, at full capacity, after careful inspection of the buyer's wall construction.

Safety Warning:
 Some local authorities restrict the types of hardware, anchors and/or supports which may be used. Check with local authorities for codes in your area. Check to see if your state or municipality has specific seismic or safety regulations before installing.

If you experience any difficulties with this product, please contact us toll free at **(888) 227-9028** (Monday through Friday, 9:00am to 5:00pm Eastern Time).

Please do not return to place of purchase. Early Childhood Resources will replace defective part(s) or product.

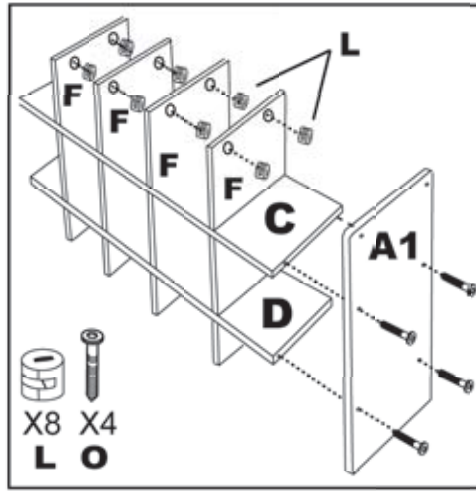
1 Assemble the Divider Section



1A. Two Adults Recommended: Insert 4 Dividers(F) onto the slots in Center Shelf(C) and Bottom Shelf(D) as shown, until fully inserted.

Note: Make sure the large Cam holes on the Dividers(F) are all facing the same direction, as shown.

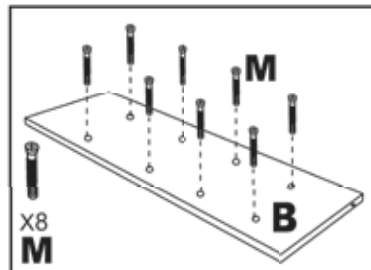
2 Attach the Left Side Panel



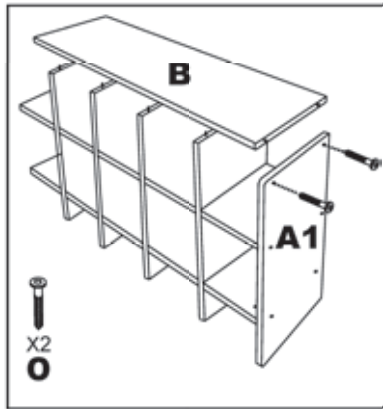
2A. Attach Left Side Panel(A1) to Center Shelf(C) and Bottom Shelf(D), using 4 Round Hex Head Screws(O). Tighten with the Hex Key Tool (N).

2B. Insert 8 Cams(L) into the the large holes located on the 4 Dividers(F). Make sure the arrows on Cams(L) point toward the holes in the closest edge.

3 Attach Top Panel



3A. Insert 8 Metal Dowels(M) into the plastic plugs located underneath Top Panel(B). Tighten with the Phillips Head Screwdriver.



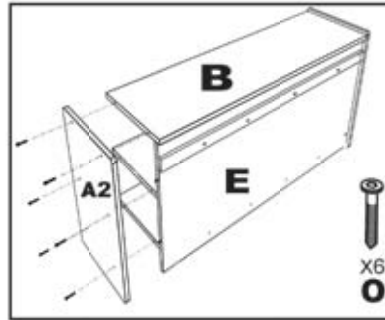
3B. Position Top Panel(B) so the attached Metal Dowels(M) enter holes in the top edges of the 4 Dividers(F).

3C. Turn Cams(L) with the Phillips Head Screwdriver until locked onto the Metal Dowels(M).

3D. Attach Left Side Panel (A1) and Top Panel(B) by 2 Round Hex Head Screws(O). Tighten with the Hex Key Tool (N).

X2
O

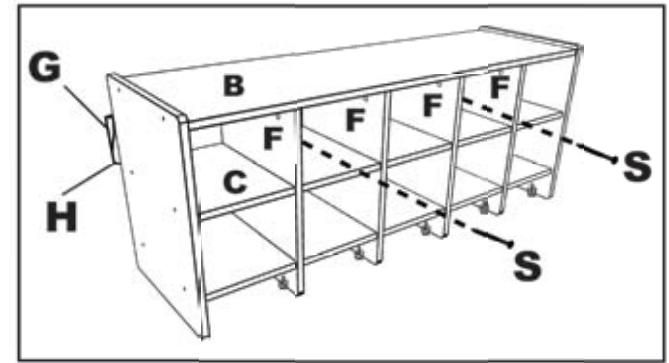
5 Attach Right Side Panel



5. Attach Right Side Panel(A2) to the assembled unit using 6 Round Hex Head Screws(O). Tighten with Hex Key Tool(N).

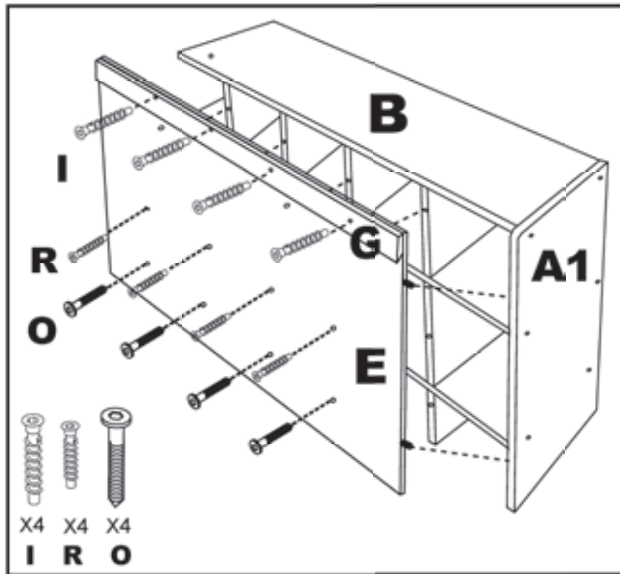
Note: Make sure the 2 attached wooden dowels on each end of the Back Panel(E) fit into the holes on the Side Panel before fully tightening the screws in the Side Panel(A2).

X6
O



You are done!

4 Attach the Back Panel



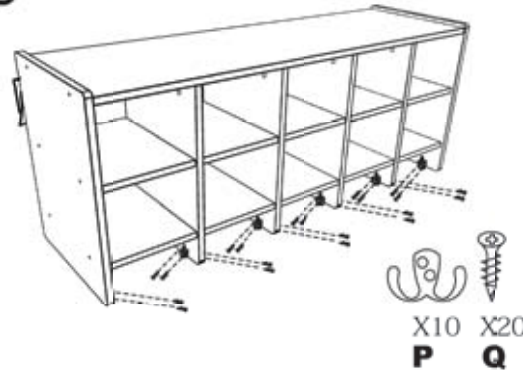
4A. Position Back Panel(E) so the attached wooden dowels in the end enter holes inside the Left Side Panel(A1) as shown until fully inserted.

4B. Insert 4 Long Flat Hex Head Screws(I) through the holes in Wall Brace-1(G) and Back Panel(E) and into the 4 Dividers(F) as shown. Tighten with the Hex Key Tool(N).

4C. Secure Back Panel(E) to the 4 Dividers(F) using 4 Short Flat Hex Head Screws(R) in the 4 center holes as shown, and 4 Round Hex Head Screws(O) into the bottom 4 holes as shown. Tighten with the Hex Key Tool(N).

X4 X4 X4
I R O

6 Attach the Coat Hooks



X10 X20
P Q

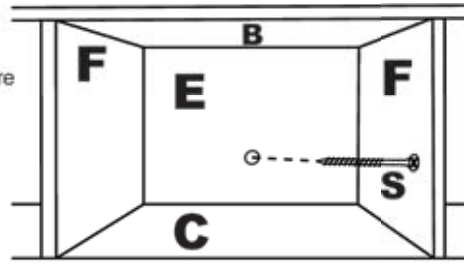
TO BE COMPLETED BY PROFESSIONAL INSTALLER:

7 Attach the Unit to the Installed Wall Brace-2

7A. Mount Wall Brace-2(H) to the wall, as appropriate for its strength and construction.

7B. Lift the unit so that both Wall Braces(G,H) fit together firmly.

7C. Secure the unit to Wall Brace-2(H) by inserting the 2 Self-Tapping Furniture Screws(S) into the pre-drilled holes as shown. Tighten with a Phillips Head Screwdriver.



Early Childhood Resources

We appreciate your purchase of the Wall-Mounted Locker. Early Childhood Resources® has made every effort to supply a quality product, that with proper use and care, will bring you many years of trouble free use!

Care and Cleaning

- Clean wood with a damp cloth or sponge using mild soap and water. Wipe dry.
- Do not place near heat, moisture or vaporizer which may cause wood to warp and peel.
- Check for loose or worn parts periodically and tighten or replace as necessary.



"Early Childhood Resources® guarantees the quality of all of our products. You can trust the quality and safety of our furniture and materials, along with the peace of mind that our products are made to last. If for any reason, you are not satisfied with the quality and workmanship of our products, we will replace the item or refund the sale."

Record the Model and ECR Purchase Order Number from your shipping carton on the lines below. This information may also be found on a label enclosed. Place this sheet in an accessible place for future reference.

Model Number: ELR-0640

Purchase Order Number: ECR20 _____ - _____