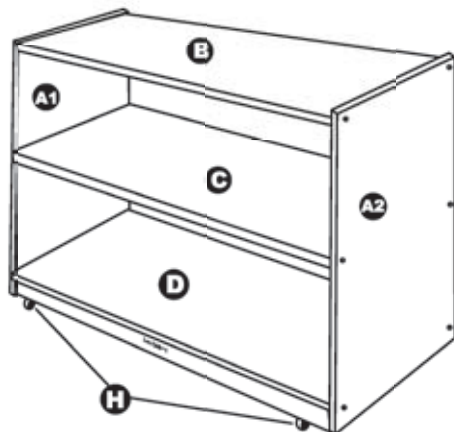


2-Shelf Storage Cabinet - Open (Laminate)
Assembly Instructions
Model #: ELR-0663

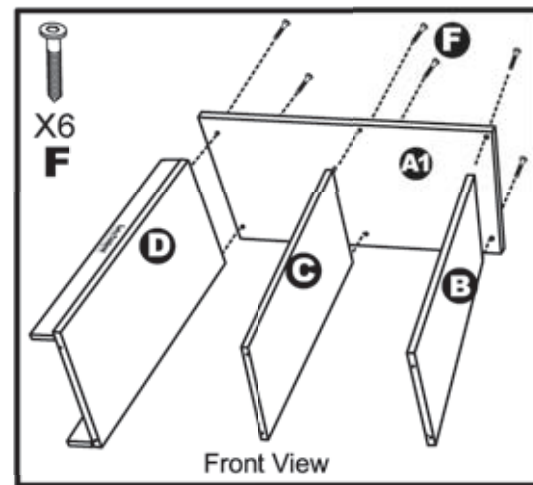
BEFORE ASSEMBLING, MAKE SURE THERE ARE NO MISSING PARTS.

TIP!
DO NOT FULLY TIGHTEN SCREWS UNTIL ALL SCREWS HAVE BEEN LOOSELY POSITIONED.



Attach Shelves to the Left Side

Attach Top Shelf(B), Center Shelf(C) and Bottom Shelf(D) to Left Side(A1) using 6 Hex Head Screws(F) as shown using 2 per shelf. Tighten with the Hex Key Tool(G).



Attach the Right Side

2A. On a carpet or protected surface, carefully rotate the unit onto Left Side(A1) as shown.

PARTS LIST

- A1** Left Side Panel
- A2** Right Side Panel
- B** Top Shelf
- C** Center Shelf
- D** Bottom Shelf
- F** Hex Head Screw(12)
- G** Hex Key Tool
- H** Wheel Casters(4)-Optional
- I** Caster Screw(16)



NOTE:

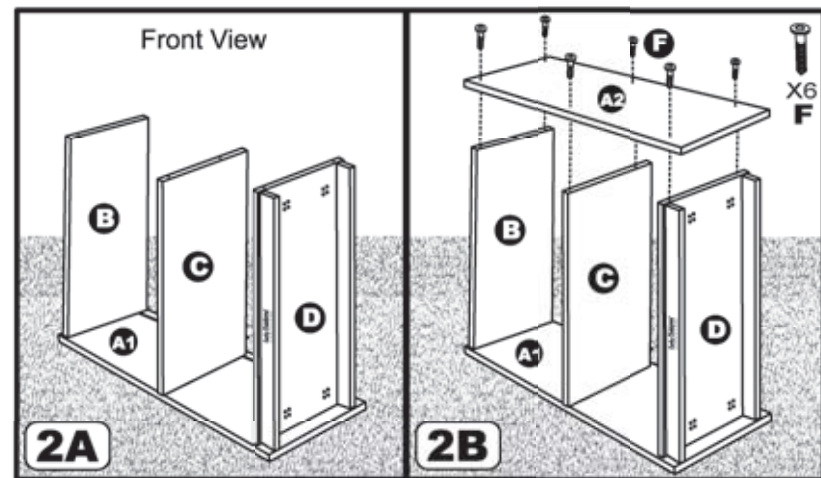
A Phillips Head Screwdriver may be used for assembly (not included)



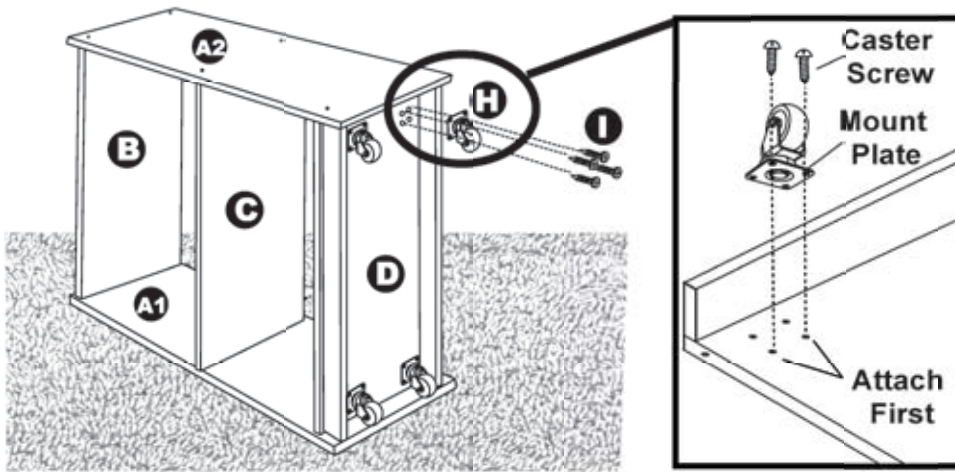
WARNING:

- Adult Assembly Required. Two adults recommended.**
- Contains small parts, sharp points and edges.
 - Do not stand, sit, kneel, climb, lean or pull on unit for support.
 - Never leave children unattended.
 - Do not place unit near high heat or moisture.
 - Adult Supervision Recommended.

If you experience any difficulties with this product, please contact us toll free at 1-888-227-9028 (Monday through Friday, 8:00am to 4:00pm Eastern Time). Please do not return to place of purchase. Early Childhood Resources will replace defective product.



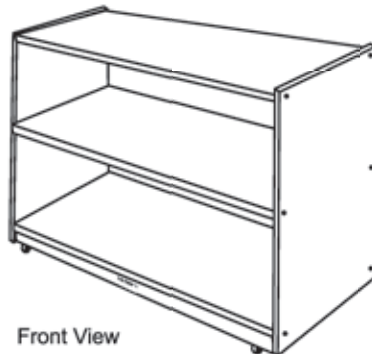
2B. Position Right Side(A2) to all the screw holes line up with all the holes in the 3 Shelves(B,C,D). Secure Right Side(A2) to the assembled unit using 6 Hex Head Screws(F). Tighten with the Hex Key Tool(G).

3**Attach Wheel Casters-Optional**

With the unit still on its side, attach 4 Wheel Casters(H) into the holes underneath Bottom Shelf(D) using 16 Caster Screws(I), using 4 in each. Start with the 2 centermost holes as shown below. Tighten with a Phillips Head Screwdriver.

4**Tighten All Screws**

Carefully stand upright. Make sure all screws are fully tightened before using. Periodically check screws and tighten as necessary.

**CAUTION:**

- Do not allow children to climb on shelves.
- Do not use as a stepladder, seat or cart.

Early Childhood RESOURCES

We appreciate your purchase of the 2-Shelf Laminate Storage Cabinet. Early Childhood Resources® has made every effort to supply a quality product, that with proper use and care, will bring you many years of trouble free use!

Care and Cleaning

Clean unit with a damp cloth or sponge using warm water and mild soap. Wipe dry.

Do not place near heat, moisture or vaporizer as it may cause unit to warp and peel.

Check for loose or worn parts periodically, and tighten or replace as necessary.



"Early Childhood Resources® guarantees the quality of all of our products. You can trust the quality and safety of our furniture and materials, along with the peace of mind that our products are made to last. If for any reason, you are not satisfied with the quality and workmanship of our products, we will replace the item or refund the sale."

Record the Purchase Order Number here. Information is located on a label enclosed, and on the shipping carton. Place label and this sheet in an accessible place.

Model Number: **ELR-0663**

Purchase Order Number: _____