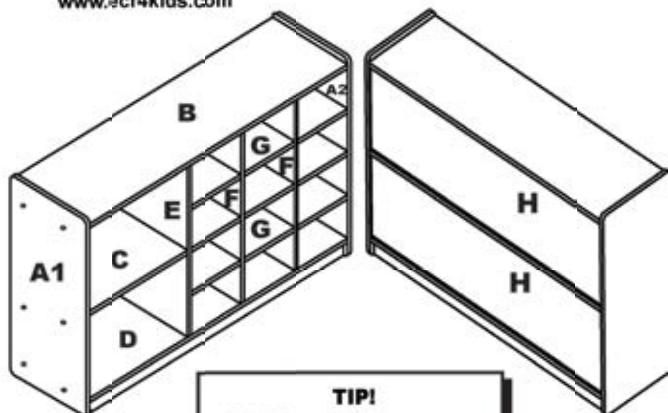


**Book Display with Storage Unit (Laminate)**

**Model#: ELR-0664**



**TIP!**  
 DO NOT FULLY TIGHTEN SCREWS UNTIL ALL SCREWS HAVE BEEN LOOSELY POSITIONED.  
 BEFORE ASSEMBLING, MAKE SURE THERE ARE NO MISSING PARTS.

**PARTS LIST**

- A1** Left Side Panel
- A2** Right Side Panel
- B** Top Shelf
- C** Middle Shelf
- D** Bottom Shelf
- E** Left Divider
- F** Right Divider(2)
- G** Right Middle Shelf(2)
- H** Back(2)
- I** Hex Head Screw(16)
- J** Metal Dowel(10)
- K** Cam(10)
- L** Wheel Casters(4)-Optional
- M** Caster Screw(16)
- N** Hex Key Tool

**NOTE:**

A Phillips Head Screwdriver will be needed for assembly (not included)



**WARNING:**

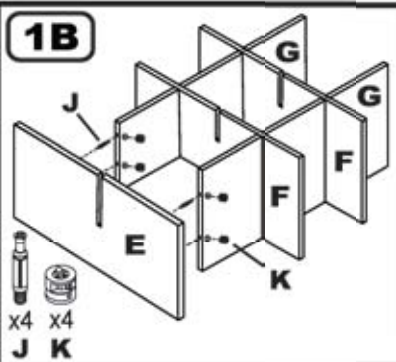
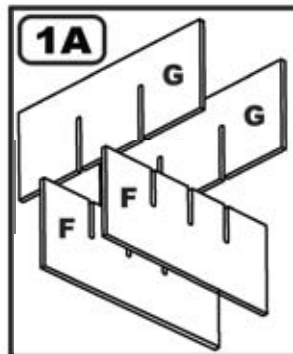
**Adult Assembly Required. Two adults recommended.**

- Contains small parts, sharp points and edges.
- Do not stand, sit, kneel, climb, lean or pull on unit for support.
- Never leave children unattended.
- Do not place unit near high heat or moisture.
- Adult Supervision Recommended.

If you experience any difficulties with this product, please contact us toll free at 1-888-227-9028 (Monday through Friday, 9:00am to 5:00pm Eastern Time). Please do not return to place of purchase. Early Childhood Resources will replace defective product.

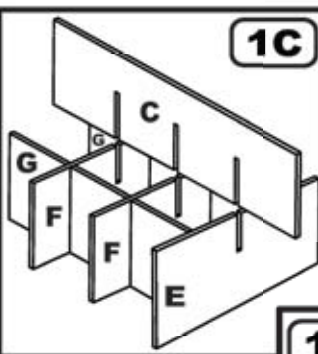
**1 Assemble the Dividers**

1A. Insert the 2 Right Middle Shelves(G) onto the 2 Middle Dividers(F) as shown, making sure all 4 boards are fully inserted.

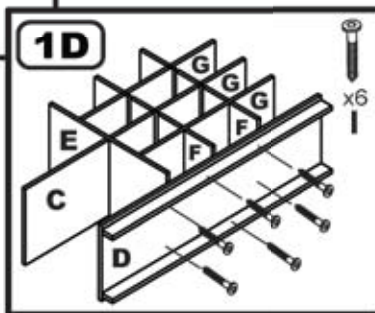


1B. Insert 4 Cams(K) into the large holes located in each Right Middle Shelf(G). Make sure the arrows on Cams(K) point toward holes in the closest unfinished edges.  
 Insert 4 Metal Dowels(J) into the plastic plugs in Left Divider(E). Tighten with a Phillips Screwdriver.

Position Left Divider(E) so the attached Metal Dowels(J) enter holes in the unfinished end of Middle Shelves(G). Turn Cams (K) with a Phillips Head Screwdriver until locked onto the Metal Dowels(J).

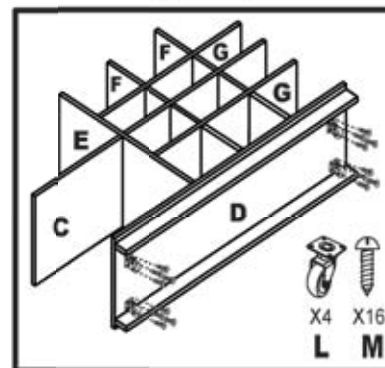


1C. Position Middle Shelf(C) into the slots in Dividers (E, F) as shown, until full inserted into slots.



1D. Position Bottom Shelf(D) so the holes align with those in the bottom edges of the Dividers(E,F,F), then secure using 6 Hex Head Screws(I). Tighten with the Hex Key Tool(N).

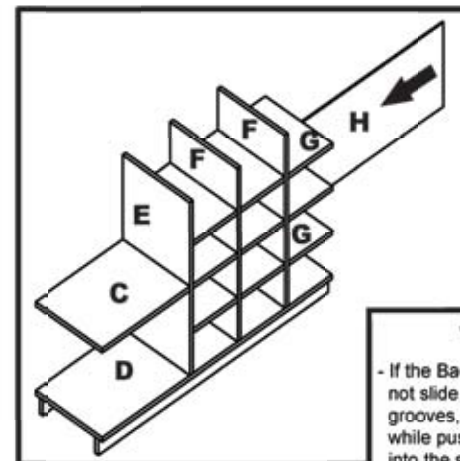
**2 Attach the Wheel Casters (Optional)**



2. Attach the 4 Wheel Casters (L) under the Bottom Shelf(D) with 16 Caster Screws(M), using 4 Screws(M) per caster. Tighten the Caster Screws (M) using a Phillips Head Screwdriver.

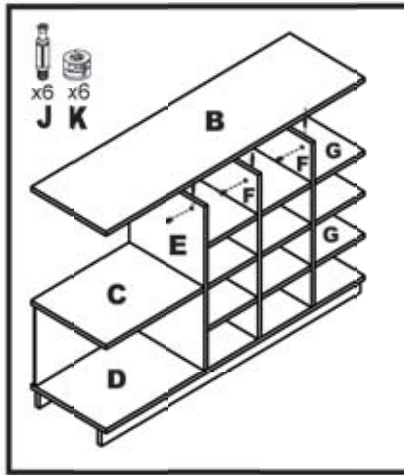
**3 Insert the Lower Back Panel**

3A. **Two Adults Suggested:** Carefully turn the unit upright.  
 3B. Slide a Back(H) into the grooves between the Bottom(D) and Middle(C) Shelves until fully inserted into the slots.



**TIP:**  
 - If the Back Panel does not slide easily into the grooves, wiggle the Back while pushing the panel into the slot.  
 - You may also turn the rear Cams on the shelf above or below to unlock, push the Back until fully inserted into the slot, then turn Cams to the locked position again.

## 4 Attach the Top Shelf



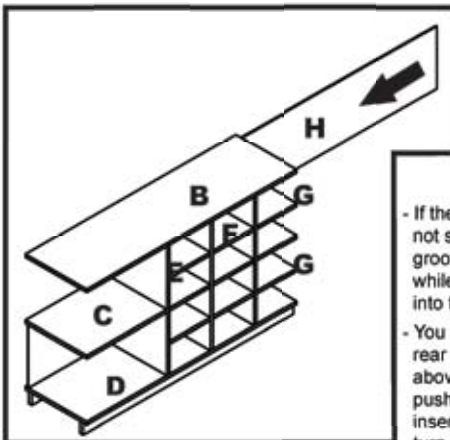
4A. Insert 6 Metal Dowels(J) into the plastic plugs underneath Top Shelf(B). Tighten with a Phillips Head Screwdriver.

4B. Insert 6 Cams(K) into the large holes near the top of the 3 Dividers(E,F,F). Make sure the arrows on Cams(K) point toward holes in the closest edge.

4C. Position Top Shelf(B) so the attached Metal Dowels(J) enter the holes in the top edges of the Dividers(E,F). Turn Cams(K) with a Phillips Head Screwdriver until locked onto the Metal Dowels(J).

## 5 Insert the Upper Back

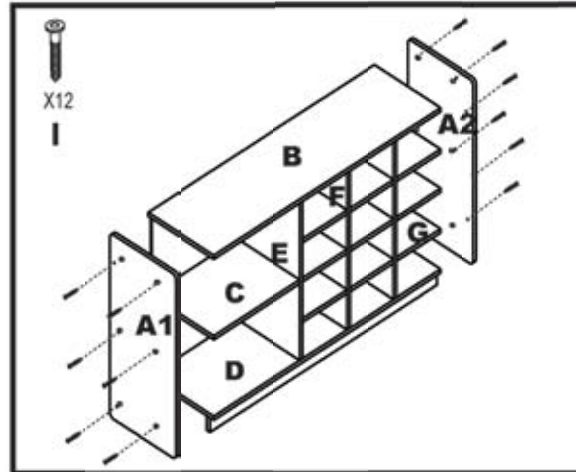
5. Slide Upper Back(H) into the grooves between Top Shelf(B) and Middle Shelf(C) as shown, until fully inserted into the slot.



### TIP:

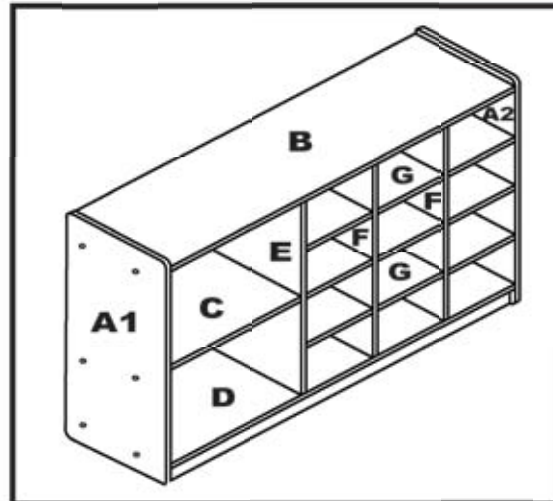
- If the Back Panel does not slide easily into the grooves, wiggle the Back while pushing the panel into the slot.
- You may also turn the rear Cams on the shelf above or below to unlock, push the Back until fully inserted into the slot, then turn Cams to the locked position again.

## 6 Attach the Side Panels



6. Attach the 2 Side Panels(A1,A2) to the unit with 12 Hex Head Screws(I), using 6 in each side. Tighten with the Hex Key Tool (N).

## 7 You are done!



### CAUTION:

- Do not allow children to climb on shelves.
- Do not use as a ladder, seat or cart.

# Early Childhood RESOURCES

We appreciate your purchase of the 12 Tray Cabinet.

Early Childhood Resources® has made every effort to supply a quality product, that with proper use and care, will bring you many years of trouble free use!

### Care and Cleaning

Clean unit with a damp cloth or sponge using warm water and mild soap. Wipe dry.

Do not place near heat, moisture or vaporizer which may cause unit to warp and peel.

Check for loose or worn parts periodically and tighten or replace as necessary.



"Early Childhood Resources® guarantees the quality of all of our products. You can trust the quality and safety of our furniture and materials, along with the peace of mind that our products are made to last. If for any reason, you are not satisfied with the quality and workmanship of our products, we will replace the item or refund the sale."

Record the Purchase Order Number here. Information is located on a label enclosed, and on the shipping carton. Place label and this sheet in an accessible place.

Model Number: **ELR-0664**

Purchase Order Number: \_\_\_\_\_