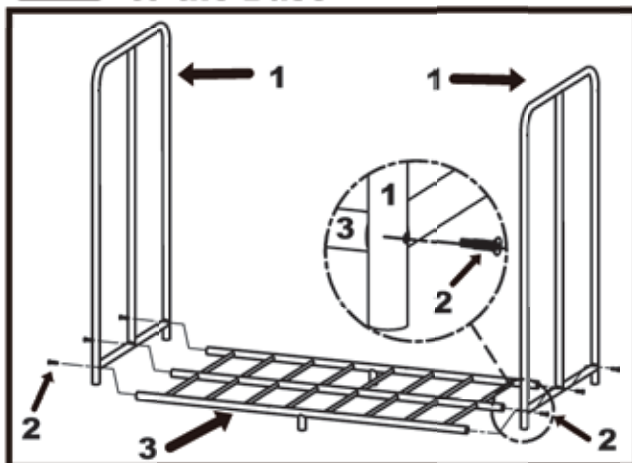
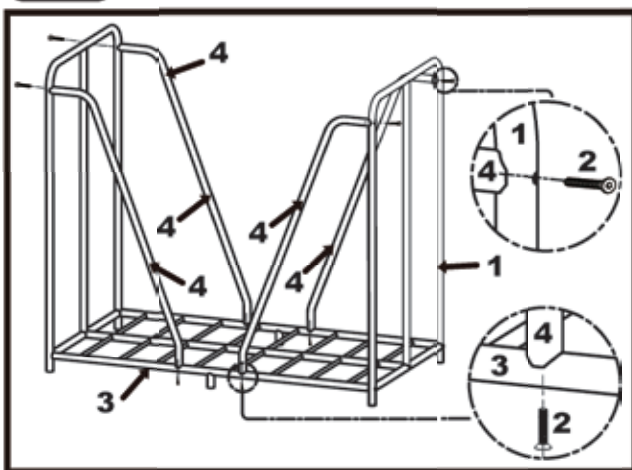


1 Attach the Side Panels to the Base



1. Attach the 2 Side Panels(1) to the Base(3) using 6 Screws(2). Tighten using the Allen Wrench(7).

2 Attach the Braces



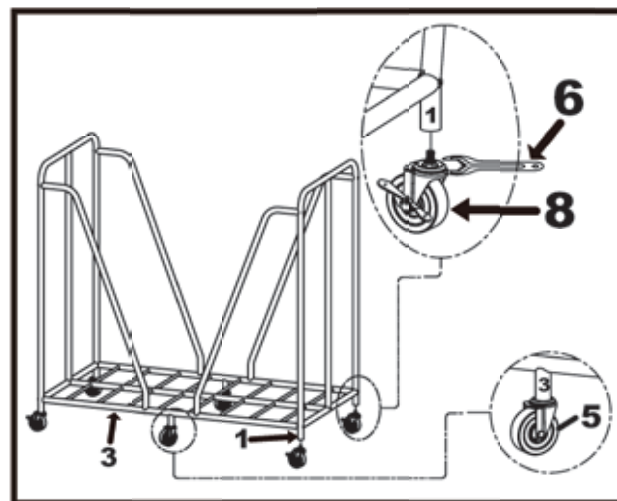
2. Attach the 4 Braces(4) to the Side Panels(1) and Base(3) using 8 Screws(2) as shown. Tighten with the Allen Wrench(7).

3 Attach the Casters

3A. On a carpet or protected surface, lay the unit down on its long side. Insert 4 Locking Casters(8) into the 4 corner poles as shown. Insert 2 Non-Locking Casters(5) into the 2 centermost holes under the Base(3) as shown.

3B. Using the Caster Wrench(6) to hold each caster assembly immobile as shown, turn each Caster(5,8) until they are fully threaded into the holes as shown.

3C. Using 2 adults, carefully turn the unit upright.



You are done!

Early Childhood Resources

We appreciate your purchase of the Rest Mat Trolley. Early Childhood Resources® has made every effort to supply a quality product that with proper use and care, will bring you many years of trouble free use!

Care and Cleaning

Clean wood with a damp cloth or sponge using warm water and mild soap. Wipe dry.

Do not place near heat, moisture or vaporizer which may cause wood to warp and peel.

Check for loose or worn parts periodically and tighten or replace as necessary.



"Early Childhood Resources® guarantees the quality of all of our products. You can trust the quality and safety of our furniture and materials, along with the peace of mind that our products are made to last. If for any reason, you are not satisfied with the quality and workmanship of our products, we will replace the item or refund the sale."

Record the manufacture date here. Information is located on a label enclosed, and on the shipping carton. Place label and this sheet in an accessible place.

Model Number: ELR-0668

Purchase Order #: _____

Version: ELR-0668_AI.F.2010.01.01

WARNING:




- Contains small parts, sharp points and edges.
- Adult Supervision Recommended.
- Adult Assembly Required. Two adults recommended.
- Do not stand, sit, kneel, climb, lean or pull on unit for support.
- Never leave children unattended.
- Do not place unit near high heat or moisture.

TIP!
 DO NOT FULLY
 TIGHTEN SCREWS
 UNTIL ALL SCREWS
 HAVE BEEN LOOSELY
 POSITIONED.

If you experience any difficulties with this product, please email us at customerservice@ecr4kids.com or call toll-free at (888) 227-9028 (Mon. through Fri., 8:00am to 4:00pm Eastern Standard Time)
 Please do not return to place of purchase as Early Childhood Resources

**BEFORE ASSEMBLING,
 MAKE SURE THERE
 ARE NO
 MISSING PARTS.**

PARTS LIST :

NO.	Components	Qty.
1	Side Panel	2
2	Screw 	14
3	Base	1
4	Brace	4
5	Non-Locking Caster	2
6	Caster Wrench 	1
7	Allen Wrench 	1
8	Locking Caster	4