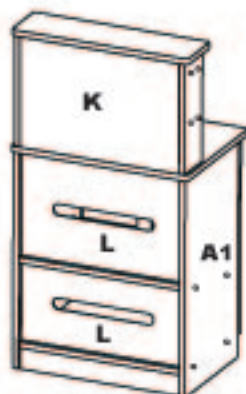
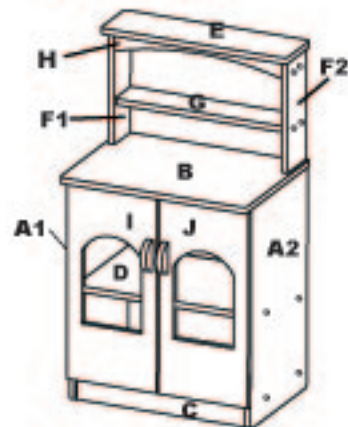


Cupboard (Laminate)
Model#: ELR-0673



PARTS LIST

- (A1)** Lower Left Side Panel
- (A2)** Lower Right Side Panel
- (B)** Middle Shelf
- (C)** Bottom Shelf
- (D)** Interior Shelf
- (E)** Top Shelf
- (F1)** Upper Left Side Panel
- (F2)** Upper Right Side Panel
- (G)** Upper Middle Shelf
- (H)** Front Moulding
- (I)** Left Door
- (J)** Right Door
- (K)** Upper Back Panel
- (L)** Lower Back Panel(2)
- (M)** Front Panel
- (N)** Small Phillips Screw(8)
- (O)** Round Hex Screw(18)
- (P)** Flat Hex Screw(2)
- (Q)** Metal Dowel(8)
- (R)** Cam(8)
- (X)** Hex Key Tool

NOTE:
 A Phillips Head Screwdriver
 will be needed for
 assembly (not included)



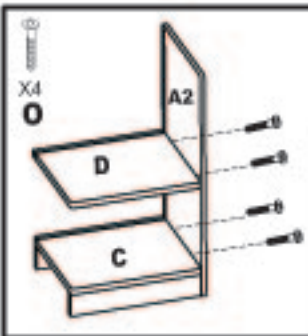
TIP!
 DO NOT FULLY TIGHTEN SCREWS
 UNTIL ALL SCREWS HAVE
 BEEN LOOSELY POSITIONED.
 BEFORE ASSEMBLING, MAKE SURE
 THERE ARE NO MISSING PARTS.

WARNING:

- Adult Assembly Required. Two adults recommended.**
- Contains small parts, sharp points and edges.
 - Do not stand, sit, kneel, climb, lean or pull on unit for support
 - Never leave children unattended.
 - Do not place unit near high heat or moisture.
 - Adult Supervision Recommended.

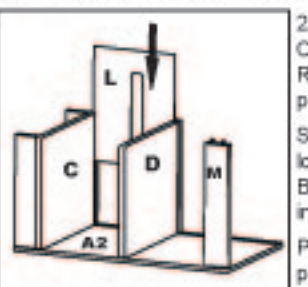
If you experience any difficulties with this product, please contact us toll free at 1-888-227-9028 (Monday through Friday, 9:00am to 5:00pm Eastern Time).
 Please do not return to place of purchase. Early Childhood Resources will replace defective product.

1 Attach Bottom & Interior Shelves to the Lower Right Side

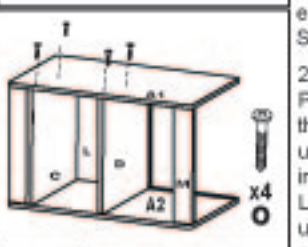


1A. Attach Bottom Shelf(C) and Interior Shelf(D) to Lower Right Side Panel(A2) using 2 Round Hex Screw(O). Tighten with the Hex Key Tool(X).

2 Insert Lower Back, Front Panels & Lower Left Side

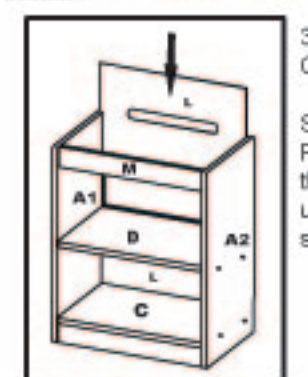


2A. Two Adults Recommended: Carefully turn the unit onto Lower Right Side(A2) on a carpet or protected surface as shown. Slide the Lower Back(L) into grooves located between Interior Shelf(D) and Bottom Shelf(C) until fully inserted into the slots.



2B. Position Lower Left Side Panel(A1) so the holes line up with those in the ends of the assembled unit, making sure the wooden dowels in Front Panel(M) enter holes inside Lower Left Side Panel(A1). Secure using 4 Round Hex Head Screws(O), and tighten with Hex Key Tool(X).

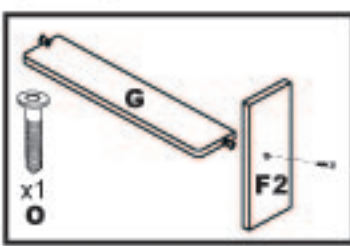
3 Insert the Lower Back Panel



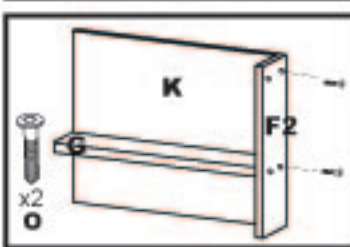
3. Two Adult Recommended: Carefully turn the unit upright.

Slide the second Back Panel(L) into the grooves in the Lower Side Panels(A1&A2) until fully inserted into the slots.

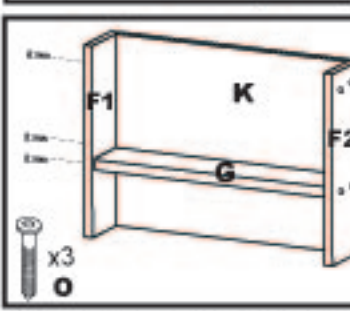
4 Assemble the Upper Section



4A. Position Upper Middle Shelf(G) so the pre-installed wooden dowel enters the hole inside Upper Right Side(F2). Secure Shelf(G) to Upper Right Side(F2) using 1 Round Hex Screw(O). Tighten with Hex Key Tool(X).

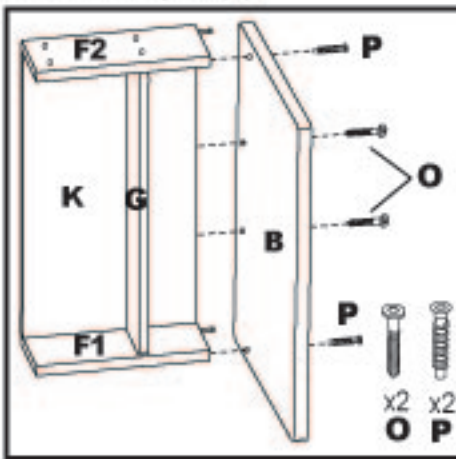


4B. Attach Upper Back(K) to Upper Right Side(F2) using 2 Round Hex Screws(O). Tighten with Hex Key Tool(X).

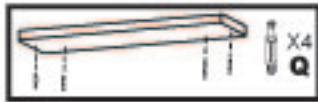


4C. Secure the Upper Left Side Panel(F1) using 3 Round Hex Screws(O) as shown. Tighten with the Hex Key Tool (X).

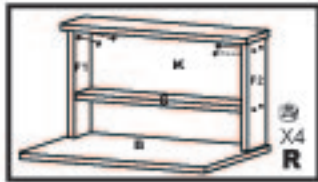
4D. Position Middle Shelf(B) so the pre-installed wooden dowels in the bottom ends of Upper Side Panels(F1, F2) enter holes in Top Shelf(B) as shown. Secure Middle Shelf(B) to Upper Side Panels(F1, F2) using 2 Flat Hex Screws(P) as shown. Tighten with the Hex Key Tool(X).



4E. Secure Middle Shelf(B) to the Upper Back(K) using 2 Round Hex Screws(O). Tighten with the Hex Key Tool(X).

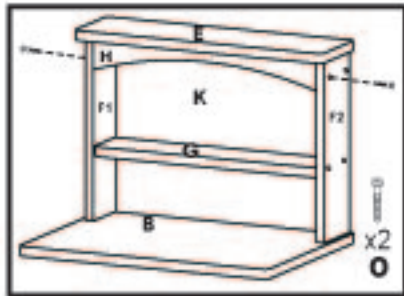


4F. Insert 4 Metal Dowels(Q) into the plastic plugs under Top Shelf(E). Tighten with a Phillips Screwdriver.



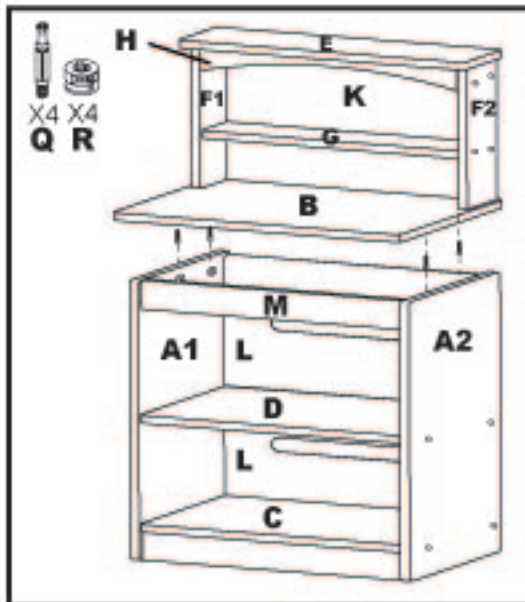
4G. Insert 4 Cams(R) into the large holes inside Upper Side Panels(F1,F2) as shown. Make sure arrows on Cams(R) point toward holes in the top unfinished edges.

4H. Position Top Shelf(E) so the attached Metal Dowels(Q) enter holes in the top edges of Upper Sides(F1,F2) & Upper Back(K). Turn Cams(R) with a Phillips Screwdriver until locked onto Metal Dowels(Q).



4H. Position the Front Moulding(H) under Top Shelf(E) and between the Upper Side Panels(F1,F2). Secure using 2 Round Hex Screws(O). Tighten with the Hex Key

5 Attach the Top Section to the Bottom Section

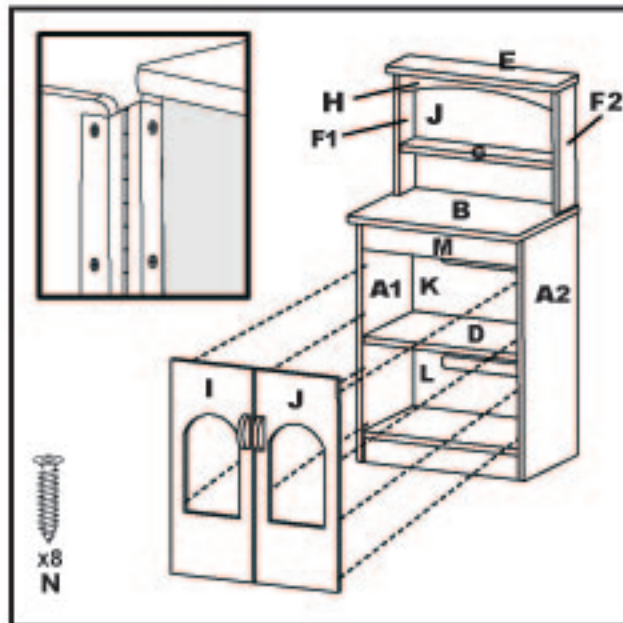


5A. Insert 4 Metal Dowels(Q) into the plastic plugs located underneath Middle Shelf(B). Tighten with a Phillips Screwdriver.

5B. Insert 4 Cams(R) into the large holes inside both Lower Side Panels(A1,A2). Make sure arrows on Cams(R) point toward holes in the closest unfinished edges.

5C. **Two Adults Recommended:** Position Middle Shelf(B) so the attached Metal Dowels(Q) enter holes in the top edges of the Lower Side Panels(A1,A2). Turn Cams(R) with a Phillips Head Screwdriver until locked onto the Metal Dowels(Q).

6 Attach the Doors



6A. Attach the Left Door(I) to the inside of Lower Left Side Panel(A1) using 4 Small Phillips Screw(N). Tighten with a Phillips Head Screwdriver.

6B. Repeat step 6A to attach Right Door(J) to Lower Right Side Panel(A2).

7 You Are Done!

CAUTION:

- Do not allow children to climb on shelves.
- Do not use as a ladder, seat or cart.

**Early Childhood
RESOURCES**

We appreciate your purchase of the Cupboard.

Early Childhood Resources® has made every effort to supply a quality product, that with proper use and care, will bring you many years of trouble free use!

Care and Cleaning

Clean wood with a damp cloth or sponge using warm water and mild soap. Wipe dry.

Do not place near heat, moisture or vaporizer which may cause wood to warp and peel.

Check for loose or worn parts periodically and tighten or replace as necessary.



"Early Childhood Resources® guarantees the quality of all of our products. You can trust the quality and safety of our furniture and materials, along with the peace of mind that our products are made to last. If for any reason, you are not satisfied with the quality and workmanship of our products, we will replace the item or refund the sale."

Record the Purchase Order Number here. Information is located on a label enclosed, and on the shipping carton. Place label and this sheet in an accessible place.

Model Number: **ELR-0673**

Purchase Order Number: _____