

PARTS LIST

- A1** Left Side Panel
- A2** Right Side Panel
- B** Top Shelf
- C** Bottom Shelf
- D** Middle Shelf
- E** Backsplash
- F** Front Plate
- G** Back Panel(2)
- H** Left Door
- I** Right Door
- J** Round Hex Screw(8)
- K** Metal Dowel(4)
- L** Cam(4)
- M** Hex Key Tool
- N** Phillips Head Screw(10)
- O** Sink Basin
- P** Faucet
- Q** Sprayer

NOTE:
 A Phillips Head Screwdriver
 will be needed for
 assembly (not included)



TIP!
 DO NOT FULLY TIGHTEN SCREWS
 UNTIL ALL SCREWS HAVE
 BEEN LOOSELY POSITIONED.

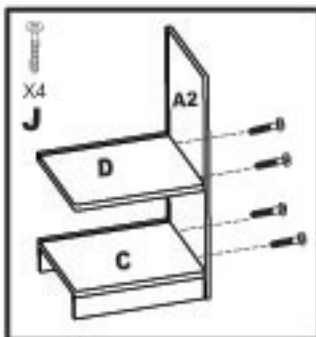
**BEFORE ASSEMBLING, MAKE SURE
 THERE ARE NO MISSING PARTS.**

WARNING:

- Adult Assembly Required. Two adults recommended.**
- Contains small parts, sharp points and edges.
 - Do not stand, sit, kneel, climb, lean or pull on unit for support
 - Never leave children unattended.
 - Do not place unit near high heat or moisture.
 - Adult Supervision Recommended.

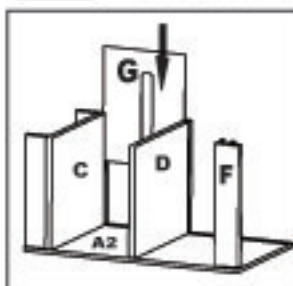
If you experience any difficulties with this product, please contact us toll free at 1-888-227-9028 (Monday through Friday, 9:00am to 5:00pm Eastern Time).
Please do not return to place of purchase. Early Childhood Resources will replace defective product.

1 Attach Bottom & Interior Shelves to the Lower Right Side



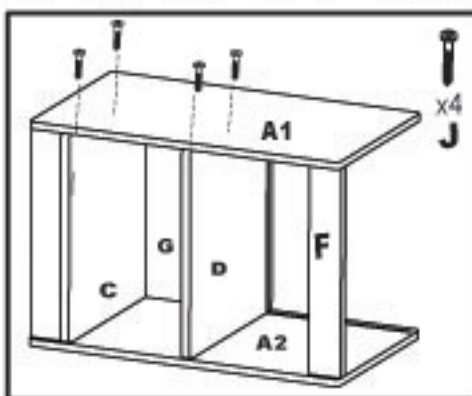
1A. Attach Bottom Shelf(C) and Interior Shelf(D) to Lower Right Side Panel(A2) using 2 Round Hex Screw(J). Tighten with the Hex Key Tool(X).

2 Insert Lower Back & Front Panel to Lower Right Side



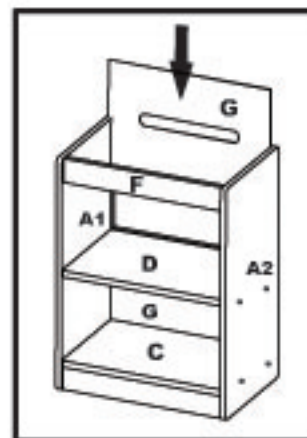
2A. Two Adults Recommended: Carefully turn the unit onto Lower Right Side(A2) on a carpet or protected surface as shown.
 Slide the Lower Back(G) into grooves located between Interior Shelf(D) and Bottom Shelf(C) until fully inserted into the slots.
 Position the Front Panel(F) so the pre-installed wooden dowels in the end enter holes in Lower Right Side(A2) as shown.

3 Attach the Lower Left Side



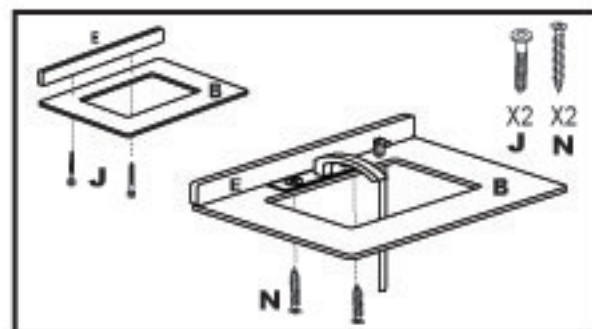
3. Position Lower Left Side Panel(A1) so the holes line up with those in the ends of the assembled unit, making sure the wooden dowels in Front Panel(F) enter holes inside Lower Left Side Panel(A1). Secure using 4 Round Hex Head Screws(J), and tighten with the Hex Key Tool(M).

4 Insert the Upper Back Panel



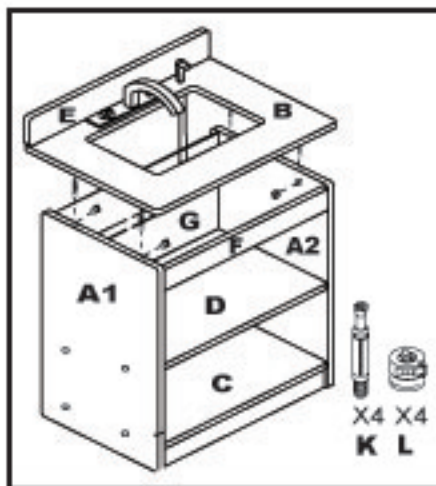
4. Two Adults Recommended: Carefully turn the unit upright. Slide the Upper Back Panel(G) into the grooves between the Side Panels(A1&A2) until fully inserted into the slot.

5 Attach Backsplash, Faucet & Sprayer to Top Shelf



- 5A. Attach the Backsplash(E) to Top Shelf(B) using 2 Round Hex Screws(J). Tighten with Hex Key Tool(M).
- 5B. Attach Faucet(P) to Top Shelf(B) using 2 Phillips Head Screws(N). Tighten with a Phillips Screwdriver.
- 5C. Insert the bottom of the Sprayer(Q) hose into the hole in Top Shelf(B) as shown.

6 Attach Top Section

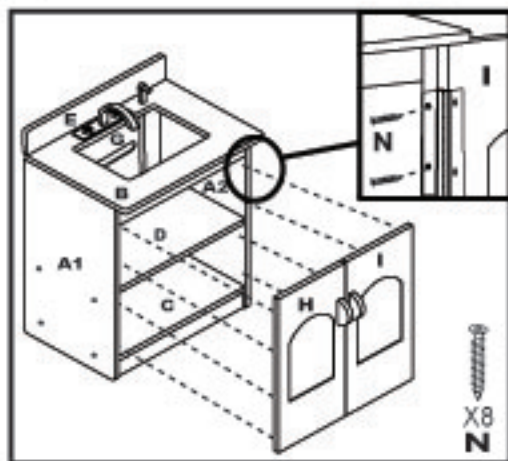


6A. Insert 4 Metal Dowels(K) into the plastic plugs located underneath Top Shelf(B). Tighten with a Phillips Screwdriver.

6B. Insert 4 Cams(L) into the large holes inside the top of both Side Panels(A1&A2) as shown. Make sure the arrows on Cams(L) point toward the holes in the top edges.

6C. Position Top Shelf(B) so the attached Metal Dowels(K) enter the holes in top edges of the Side Panels(A1,A2). Turn Cams(L) with Phillips Screwdriver until locked onto Metal Dowels(K).

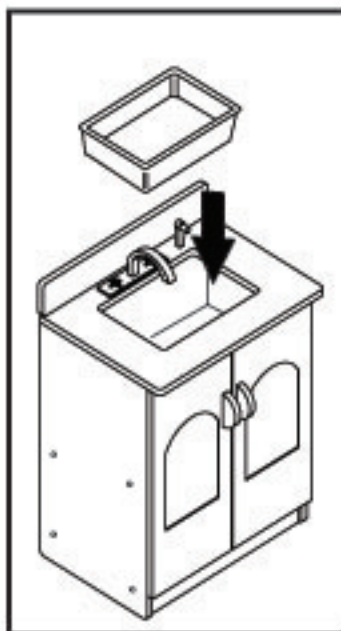
7 Attach the Door



7A. Position Left Door(H) so the holes on the attached hinge line up with the holes inside Left Side Panel(A1), and secure using 4 Phillips Head Screws(N). Tighten with a Phillips Screwdriver.

7B. Repeat Step 7A to attach Right Door(I) to the Right Side(A2).

8 Insert the Sink Basin



8. Insert the Sink Basin(I) into the large hole in Top Shelf(B).

9 You Are Done!



CAUTION:

- Do not allow children to climb on shelves.
- Do not use as a ladder, seat or cart.

Early Childhood
RESOURCES

We appreciate your purchase of the Laminate Play Sink.

Early Childhood Resources® has made every effort to supply a quality product, that with proper use and care, will bring you many years of trouble free use!

Care and Cleaning

Clean unit with a damp cloth or sponge using warm water and mild soap. Wipe dry.

Do not place near heat, moisture or vaporizer which may cause unit to warp and peel.

Check for loose or worn parts periodically and tighten or replace as necessary.



"Early Childhood Resources® guarantees the quality of all of our products. You can trust the quality and safety of our furniture and materials, along with the peace of mind that our products are made to last. If for any reason, you are not satisfied with the quality and workmanship of our products, we will replace the item or refund the sale."

Record the Purchase Order Number here. Information is located on a label enclosed, and on the shipping carton. Place label and this sheet in an accessible place.

Model Number: ELR-0674

Purchase Order Number: _____