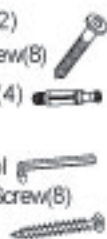


PARTS LIST

- A1** Left Side Panel
- A2** Right Side Panel
- B** Top Shelf
- C** Bottom Shelf
- D** Front Panel
- E** Interior Shelf(2)
- F** Middle Shelf
- G** Left Door
- H** Right Door
- I** Back Panel(2)
- J** Hex Head Screw(8)
- K** Metal Dowel(4)
- L** Cam(4)
- M** Hex Key Tool
- N** Phillips Head Screw(8)



NOTE:
 A Phillips Head Screwdriver
 will be needed for
 Assembly(not included)



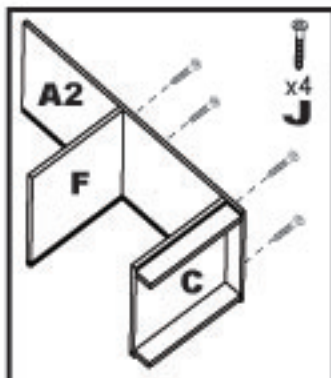
TIP!
 DO NOT FULLY TIGHTEN SCREWS
 UNTIL ALL SCREWS HAVE
 BEEN LOOSELY POSITIONED.
 BEFORE ASSEMBLING, MAKE SURE
 THERE ARE NO MISSING PARTS.

WARNING:

- Adult Assembly Required. Two adults recommended.**
- Contains small parts, sharp points and edges.
 - Do not stand, sit, kneel, climb, lean or pull on unit for support.
 - Never leave children unattended.
 - Do not place unit near high heat or moisture.
 - Adult Supervision Recommended.

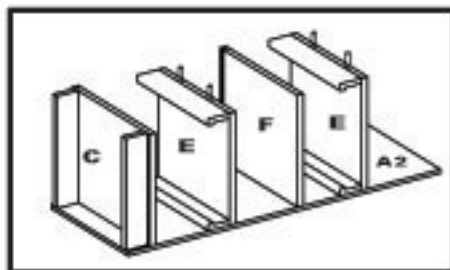
If you experience any difficulties with this product, please contact us toll free at 1-888-227-9028 (Monday through Friday, 9:00am to 5:00pm Eastern Time).
Please do not return to place of purchase. Early Childhood Resources will replace defective product.

1 Attach the Bottom Shelf & Middle Shelf to Right Side



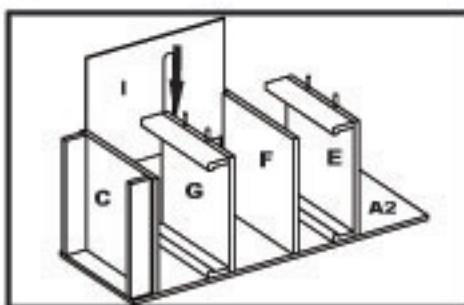
1. Attach Bottom Shelf(C) and Middle Shelf(F) to Right Side Panel(A2) using 4 Hex Head Screws(J), using 2 in each. Tighten with Hex Key Tool(M).

2 Insert the 2 Inner Shelves



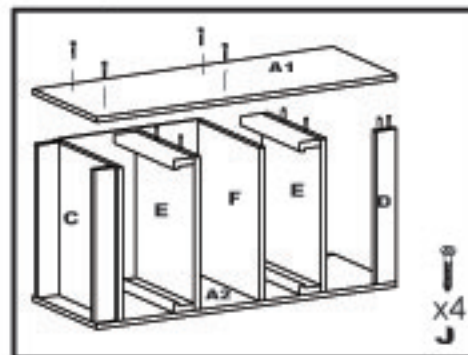
2. On a carpet or protected surface, carefully roll the unit onto the Right Side(A2). Insert 2 Inner Shelves(E) so the pre-installed wooden dowels enter holes inside the Right Side Panel(A2) as shown. Make sure the unfinished edge faces the rear of the unit.

3 Insert the Lower Back Panel



3. Slide 1 Back Panel(I) into the grooves located between Middle Shelf(F) and Bottom Shelf(C) as shown, until fully inserted into the slots.

4 Attach the Left Side Panel & Front Panel

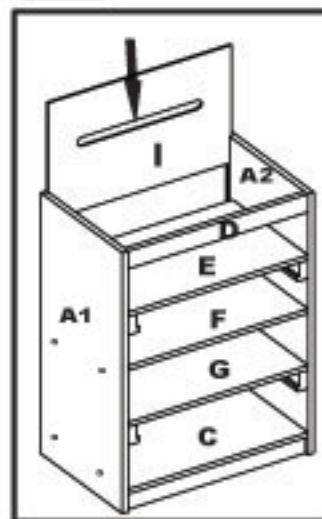


4A. Position Front Panel(D) so that the pre-installed wooden dowels enter the holes inside Right Side Panel(A2) as shown.

4B. **Two Adults Recommended:** Position Left Side Panel(A1) so that the pre-installed wooden dowels in the ends of the 2 Interior Shelves(E) and Front Panel(D) enter the holes in Right Side Panel(A1).

4C. Secure Left Side Panel(A1) using 4 Hex Head Screws(J) and tighten with the Hex Key Tool(M).

5 Insert the Upper Back Panel



5. **Two Adults Recommended:** Carefully turn the unit upright. Slide the upper Back Panel(I) into the grooves between the Left(A1) & Right(A2) Side Panels until fully inserted into the slots.

6 Attach the Top Shelf



6A. Insert 4 Metal Dowels(K) into the plastic plugs located underneath Top Shelf(B). Tighten with a Phillips Head Screwdriver.

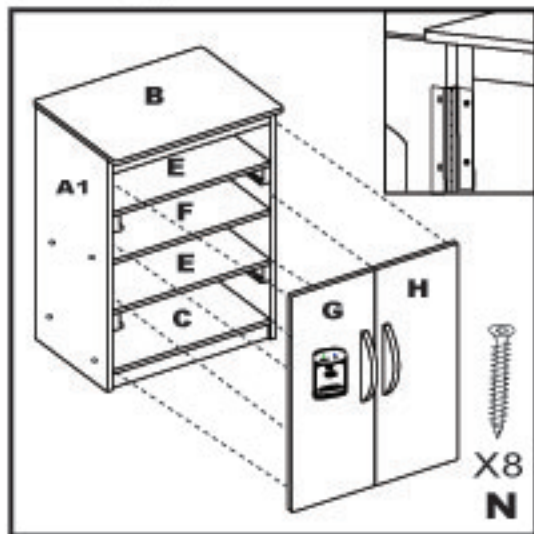
6B. Insert 4 Cams(L) into the large holes inside the top of both Side Panels(A1,A2). Make sure the arrows on Cams(L) point toward the holes in the top edges.

6C. Position Top Shelf(B) so the attached Metal Dowels(K) enter holes in the top edges of the Side Panels(A1,A2). Turn Cams(L) with a Phillips Screwdriver until locked onto Metal Dowels(K).

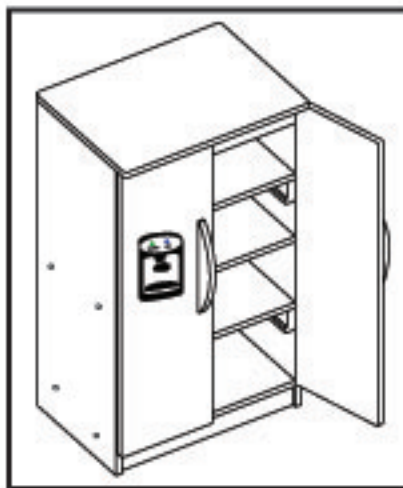
7 Attach the Door

7A. Position Left Door(G) so the holes in the attached hinge line up with the holes inside Left Side Panel(A1). Secure the Left Door(G) hinge using 4 Phillips Screws(N) to and tighten with a Phillips Screwdriver.

7B. Repeat Step 7A to secure the Right Door(H) to the Right Side Panel(A2).



8 You Are Done!



CAUTION:

- Do not allow children to climb on shelves.
- Do not use as a ladder, seat or cart.

Early Childhood RESOURCES

We appreciate your purchase of the Laminate Play Refrigerator. Early Childhood Resources® has made every effort to supply a quality product, that with proper use and care, will bring you many years of trouble free use!

Care and Cleaning

Clean unit with a damp cloth or sponge using warm water and mild soap. Wipe dry.

Do not place near heat, moisture or vaporizer which may cause unit to warp and peel.

Check for loose or worn parts periodically and tighten or replace as necessary.



"Early Childhood Resources® guarantees the quality of all of our products. You can trust the quality and safety of our furniture and materials, along with the peace of mind that our products are made to last. If for any reason, you are not satisfied with the quality and workmanship of our products, we will replace the item or refund the sale."

Record the Purchase Order Number here. Information is located on a label enclosed, and on the shipping carton. Place label and this sheet in an accessible place.

Model Number: **ELR-0676**

Purchase Order Number: _____