

**BEFORE ASSEMBLING,
MAKE SURE THERE
ARE NO
MISSING PARTS.**

**TIP!
DO NOT FULLY
TIGHTEN SCREWS
UNTIL ALL SCREWS
HAVE BEEN LOOSELY
POSITIONED.**

PARTS LIST

- A** Left Side Panel
- A2** Right Side Panel
- B** Top Shelf
- C** Middle Shelf
- D** Bottom Shelf
- E** Divider-1(4)
- F** Divider-2(2)
- G** Divider-3(1)
- H** Divider-4(2)
- I** Wall Brace-1
- J** Wall Brace-2
- K** Back Panel
- L** Small Hex Head Screw(20)
- M** Metal Dowel(6)
- N** Phillips Screw(4)
- O** Plastic Anchor(4)
- P** Cam(6)
- Q** Hex Key Tool
- R** Large Hex Head Screws(4)

NOTE:

A Phillips Head Screwdriver, a Drill and Carpenter's Level may be needed for assembly and/or mounting (not included)



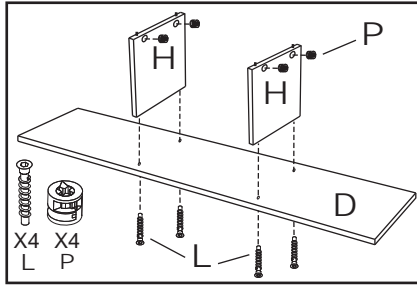
WARNING:

- **Adult Assembly Required.** Two adults recommended.
- Contains small parts, sharp points and edges.
- **Maximum Weight Capacity: 200 lb. per Unit / 20 lb. per compartment**
- Do not stand, sit, kneel, climb, lean or pull on unit for support.
- Never leave children unattended.
- Do not place unit near high heat or moisture.
- **Adult Supervision Recommended.**

If you experience any difficulties with this product, please email us at customerservice@ecr4kids.com or call toll-free at (888) 227-9028 (Mon. through Fri., 8:00am to 4:00pm Eastern Standard Time)

Please do not return to place of purchase as Early Childhood Resources will replace defective part(s) and/or product.

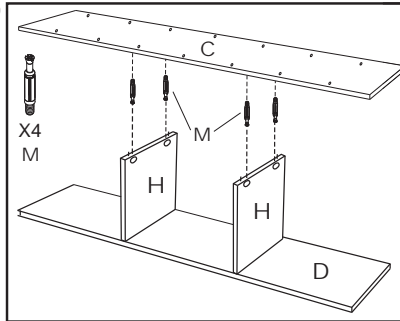
1 Assemble the Divider Section



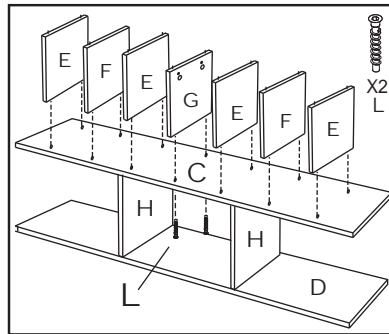
1A. Attach 2 Dividers-4(H) to Bottom Shelf(D) using 4 Hex Head Screws(L) as shown. Tighten with Hex Key Tool(Q).

1B. Insert 4 Cams(P) into 2 Divider-4(H) panels. Make sure the arrows on Cams(P) point toward holes in the closest edge.

1C. Insert 4 Metal Dowels(M) into the plastic plugs located underneath Middle Shelf(C). Tighten with a Phillips Head Screwdriver.



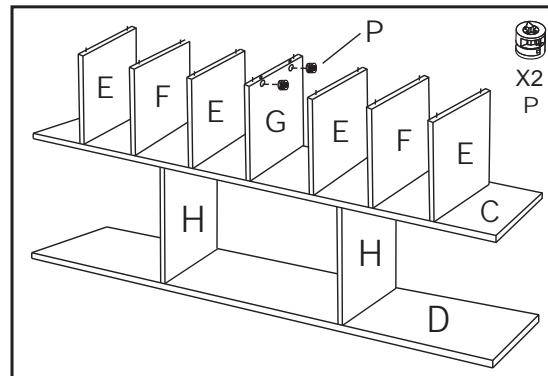
1D. Position Middle Shelf(C) so the attached Metal Dowels(M) enter holes on the top edge of the 2 Dividers-4(H) as shown. Turn Cams(P) with Phillips Screwdriver until locked onto Metal Dowels(M).



1E. Insert the attached wooden dowels on the bottom edges of the 4 Dividers-1(E), 2 Dividers-2(F) into the holes located on top of Middle Shelf(C) as shown.

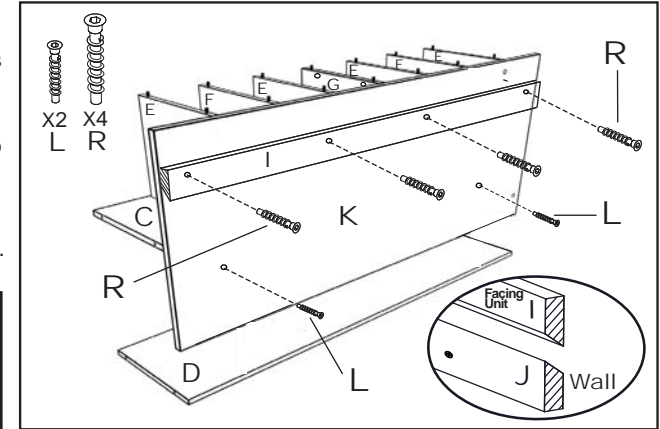
1F. Attach Divider-3(G) to Middle Shelf(C), using 2 Small Hex Head Screws(L). Tighten with Hex Key Tool(Q).

Note: Make sure Dividers are inserted in the correct order, as shown.



1F. Insert 2 Cams(P) into the large holes on Divider-3(G) as shown. Make sure the arrows on Cams(M) point toward the holes in the closest edge.

2 Attach the Back Panel

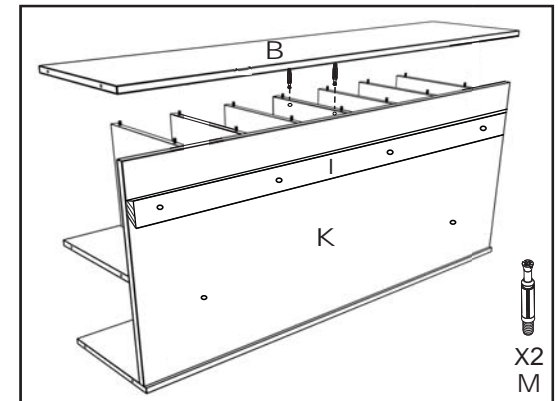


2A. Position the Back Panel(K) behind the assembled unit, so the 6 holes shown line up with holes on the edges of Dividers-1(E) and Dividers-4(H).

2B. Insert 2 Small Hex Head Screws(L) into the 2 lower holes in Back Panel(K) as shown, then into holes in the 2 Dividers-4(H). Tighten with the Hex Key Tool(Q).

2C. Insert 4 Large Hex Head Screws(R) into the holes in Wall Brace-1(I), so the 4 Large Hex Head Screws(R) enter the 4 upper holes in the Back Panel(K) as shown. Tighten with Hex Key Tool(Q).

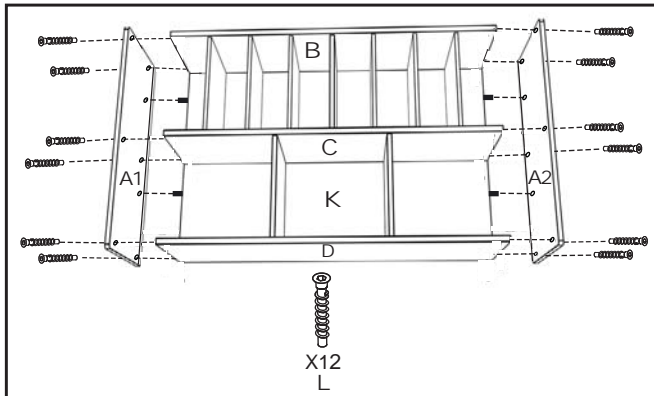
3 Attach the Top Panel



3A. Insert 2 Metal Dowels(M) into the plastic plugs located underneath Top Shelf(B). Tighten with a Phillips Head Screwdriver.

3B. Position Top Shelf(B) so the attached Metal Dowels(M) enter the holes in the top edge of Divider-3(G). Turn Cams(P) on Divider-3(G) with a Phillips Head Screwdriver until locked onto Metal Dowels(M).

4 Attach the Side Panels



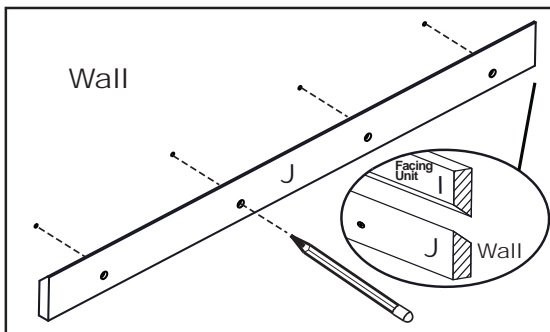
4. Attach the 2 Side Panels(A1,A2) with 12 Small Hex Head Screws(L), using 6 on each side. Tighten with the Hex Key Tool(Q).

Note: Make sure the 2 attached wooden dowels on each lateral edge of Back Panel(K) fit into the holes on Side Panels as shown, before fully tightening the screws in the Side Panels(A1,A2).

5 The unit is done!

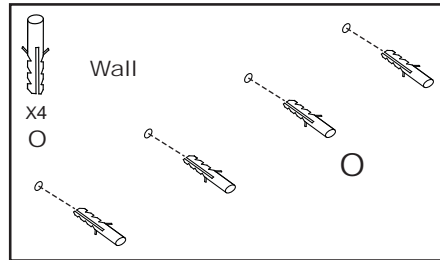


6 Mount Wall Brace-1 to the Wall

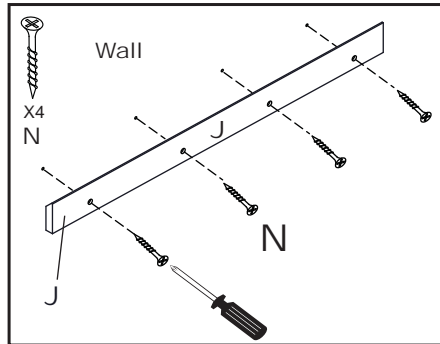


6A. Position the Wall Brace-2(J) on the wall where the unit is to be mounted. Mark the spots on the wall for placement of 4 Plastic Anchors(O) as shown.

Note: A Carpenter's Level is suggested to ensure the unit hangs straight when mounted.



6B. Drill 4 small holes in the wall where marked, then insert the 4 Plastic Anchors(O) until fully inserted into the wall.

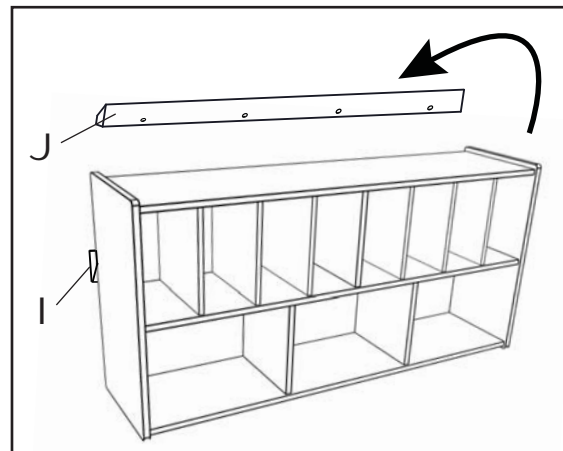


6C. Attach Wall Brace-2(J) to the wall using 4 Phillips Head Screws (N). Tighten with Phillips Head Screwdriver.

7 Mount the Unit onto the Wall

7. **Two Adults Suggested:** Lift the assembled unit so Wall Brace-1(I) that is attached to Back Panel(K) rests firmly on top of Wall Brace-2(J), that is attached to the wall.

Note: Be sure both Wall Braces(I,J) fit together firmly before letting go of the unit.



- CAUTION:**
- Do not allow children to climb or hang on shelves.
 - Intended for wall-mounted use only.
 - Maximum Weight Capacity:
200 lb. per Unit / 20 lb. per compartment

Early Childhood RESOURCES

We appreciate your purchase of the Wall-Mount Diaper Storage unit. Early Childhood Resources® has made every effort to supply a quality product, that with proper use and care, will bring you many years of trouble free use!

Care and Cleaning

- Clean wood with a damp cloth or sponge using mild soap and water. Wipe dry.
- Do not place near heat, moisture or vaporizer which may cause wood to warp and peel.
- Check for loose or worn parts periodically and tighten or replace as necessary.



“Early Childhood Resources® guarantees the quality of all of our products. You can trust the quality and safety of our furniture and materials, along with the peace of mind that our products are made to last. If for any reason, you are not satisfied with the quality and workmanship of our products, we will replace the item or refund the sale.”

Record the manufacture date here. Information is located on a label enclosed, and on the shipping carton. Place label and this sheet in an accessible place.

Model Number: **ELR-0678**

Purchase Order Number: _____