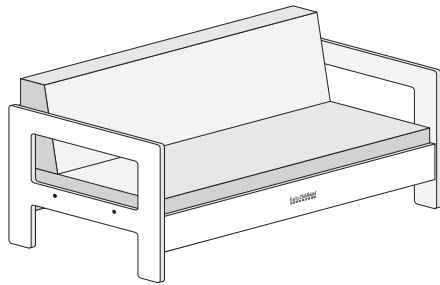


Living Room Set
- Sofa -
Model# ELR-0681



WARNING:

Adult Assembly Required.

- Two adults recommended.
- Contains small parts, sharp points and edges.
- Do not stand, sit, kneel, climb, lean or pull on unit for support.
- Never leave children unattended.
- Do not place unit near high heat or moisture.
- Adult supervision recommended.

TOOLS INCLUDED

- Hex Tool (1)



TOOLS NEEDED

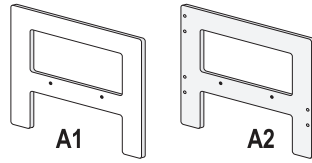
- Phillips Screwdriver



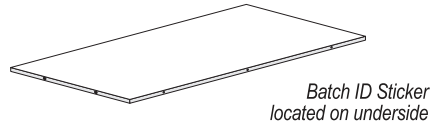
Parts List

BEFORE ASSEMBLING, MAKE SURE YOU HAVE ALL THE PARTS

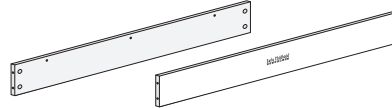
A Left & Right Side Panels (1/1)



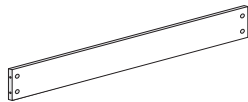
B Seat Panel (1)



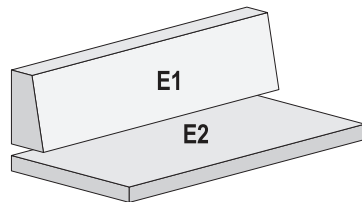
C Seat Crossbars (2)



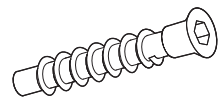
D Seat Back (1)



E Cushions (1/1)

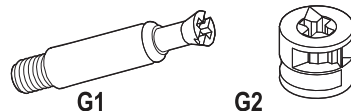


F Hex Screws (4)



Use the Hex Tool.

G Cam Posts & Cam Locks (18/18)



Use a Phillips Screwdriver.

1 Connect Seat Crossbars to Seat Panel

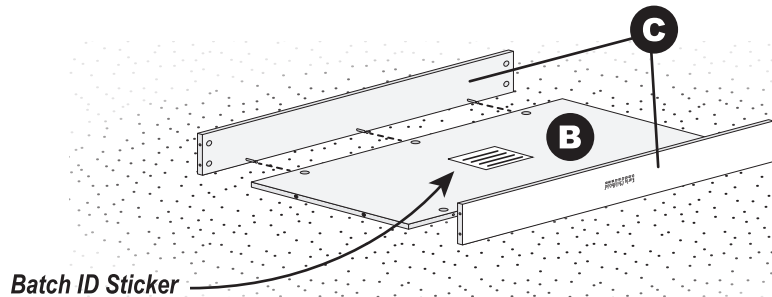
Install three **Cam Posts (G1)** into the threaded plastic inserts on the inside of both **Seat Crossbars (C)** with a Phillips screwdriver.

Reminder: Do not overtighten, as the plastic threads can be stripped.

Place six **Cam Locks (G2)** into the recessed holes on the underside of the **Seat Panel (B)**, with the arrow facing the closest edge.

Insert the **Seat Crossbar (C)** Cam Posts into the holes on the edge of the **Seat Panel (B)**. Turn the Cam Locks clockwise with a Phillips screwdriver to lock the **Seat Panel (B)** onto the posts.

Note: To ease assembly, we are assembling the Seat Panel and Crossbars upside down.



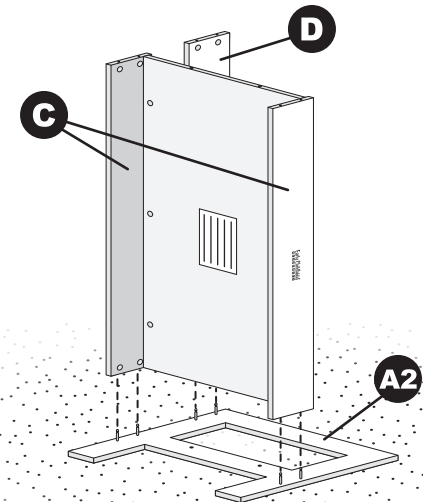
2 Connect the Right Side Panel

Install six **Cam Posts (G1)** into the threaded plastic inserts on the inside of the **Right Side Panel (A2)** with a Phillips screwdriver.

Reminder: Do not overtighten, as the plastic threads can be stripped.

Place four **Cam Locks (G2)** into the recessed holes on the inside of each **Seat Crossbar / Back (C/D)**, with the arrow facing the closest edge.

Attach the **Seat Crossbars / Back (C/D)** onto the Cam Posts on the inside of the **Right Side Panel (A2)**, turn the Cam Locks clockwise with a Phillips screwdriver to lock the **Seat Crossbars / Back (C/D)** onto the posts.



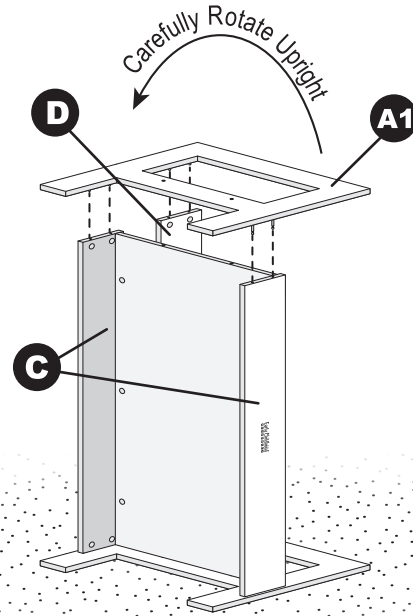
3 Connect the Left Side Panel

Install six **Cam Posts (G1)** into the threaded plastic inserts on the inside of the **Left Side Panel (A1)** with a Phillips screwdriver.

Reminder: Do not overtighten, as the plastic threads can be stripped.

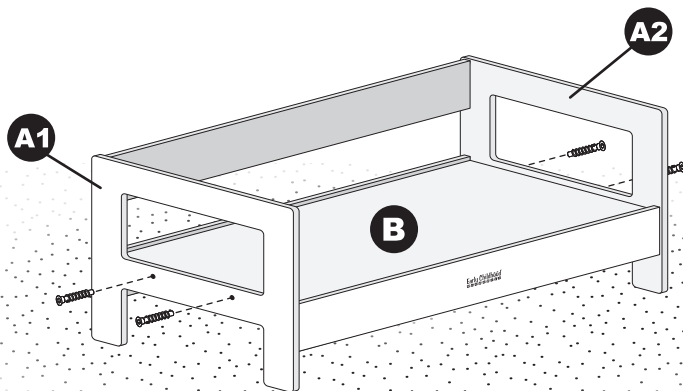
Insert the **Left Side Panel (A1)** Cam Posts into the holes on the edge of the **Seat Crossbars / Back (C/D)**. Turn the Cam Locks clockwise with a Phillips screwdriver to lock the **Seat Crossbars / Back (C/D)** onto the posts.

Carefully rotate upright.



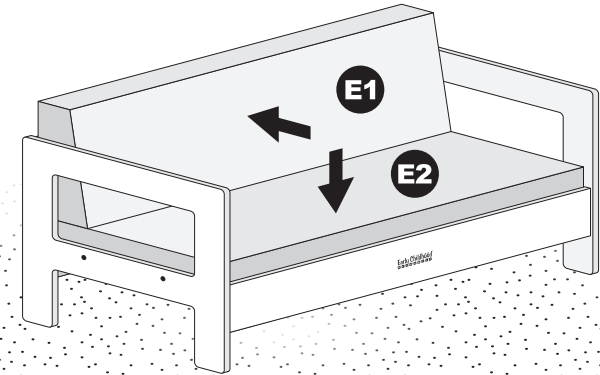
4 Install the Left & Right Side Panels

Install the **Left/Right Side Panel (A1/A2)** onto the **Seat Panel (B)** with two **Hex Screws (F)** using the Hex Tool.



5 Place the Cushions

Place the **Seat Cushion (E2)** on top of the **Seat Panel (B)**, then place the **Back Cushion (E1)** on top and rest against the **Seat Back (D)**.



Care and Cleaning

Clean wood with a damp cloth or sponge using warm water and mild soap. Wipe dry.

Do not place near heat, moisture or vaporizer which may cause wood to warp and peel.

Check for loose or worn parts periodically and tighten or replace as necessary.

Early Childhood[®] RESOURCES

We appreciate your purchase of the Living Room Set - Sofa.
Early Childhood Resources has made every effort to supply a quality product,
that with proper use and care, will bring you many years of trouble free use!

If you experience any difficulties with this product, please email us at
customerservice@ecr4kids.com or call toll-free at (888) 227-9028
(Monday - Friday, 7:00am - 4:00pm Pacific Standard Time)

Please do not return to place of purchase as Early Childhood Resources
will replace defective part(s) and/or product.



"Early Childhood Resources® guarantees the quality of all of our products. You can trust the quality and safety of our furniture and materials, along with the peace of mind that our products are made to last. If for any reason, you are not satisfied with the quality and workmanship of our products, we will replace the item or refund the sale."

**Record the manufacture date here.
Information is located on the Batch ID
sticker and on the shipping carton.
Save this sheet in an accessible place.**

Model Number: ELR-0681

Factory Code: BR

Manufacture Date: _____

Batch ID Number: _____
(Located on Part B)

