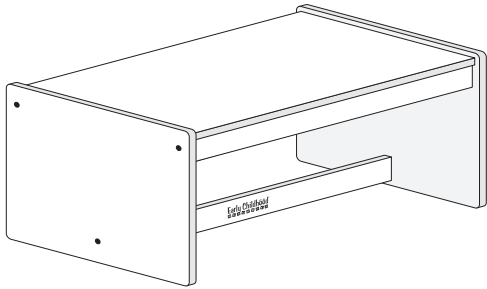


## Living Room Set - Coffee Table - Model# ELR-0683



### **!** WARNING:

#### Adult Assembly Required.

Two adults recommended.

- Contains small parts, sharp points and edges.
- Do not stand, sit, kneel, climb, lean or pull on unit for support.
- Never leave children unattended.
- Do not place unit near high heat or moisture.
- Adult supervision recommended.

#### TOOLS INCLUDED

- Hex Tool (1)



#### TOOLS NEEDED

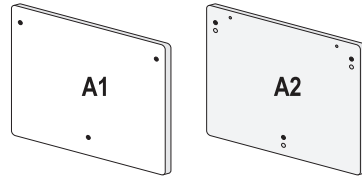
- + Phillips Screwdriver



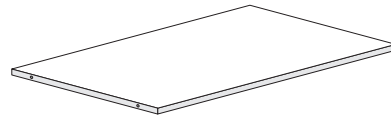
## Parts List

BEFORE ASSEMBLING, MAKE SURE YOU HAVE ALL THE PARTS

### A Left & Right Side Panels (1/1)

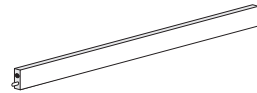


### B Table Top (1)

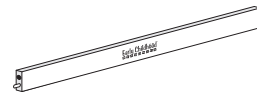


Batch ID Sticker located on underside

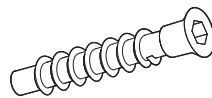
### C Upper Crossbars (2)



### D Lower Crossbar (1)

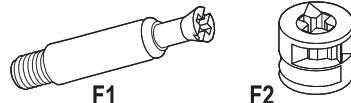


### E Hex Screws (6)



Use the Hex Tool.

### F Cam Posts & Cam Locks (4/4)



F1

F2

Use a Phillips Screwdriver.

## 1 Connect the Right Side Panel

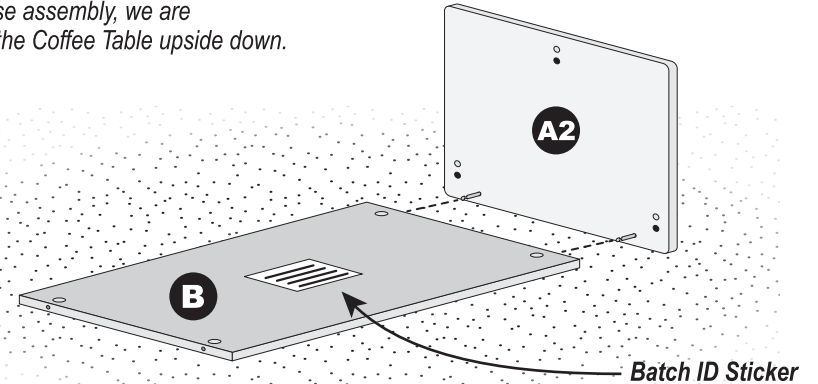
Install two **Cam Posts (F1)** into the threaded plastic inserts on the inside of **Right Side Panel (A2)** with a Phillips screwdriver.

**Reminder:** Do not overtighten, as the plastic threads can be stripped.

Place four **Cam Locks (F2)** into the recessed holes on the underside of the **Table Top (B)**, with the arrow facing the closest edge.

Insert the **Right Side Panel (A2)** Cam Posts into the holes on the edge of the **Table Top (B)**. Turn the Cam Locks clockwise with a Phillips screwdriver to lock the **Table Top (B)** onto the posts.

**Note:** To ease assembly, we are assembling the Coffee Table upside down.

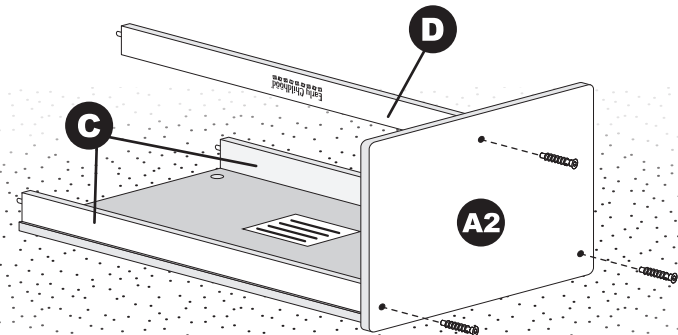


## 2 Install the Crossbars

Insert the pre-installed wooden dowels on **Upper/Lower Crossbars (C/D)** into the corresponding holes on the inside of **Right Side Panel (A2)**.

Install the **Upper/Lower Crossbars (C/D)** to the **Right Side Panel (A2)** with three **Hex Screws (E)** using the Hex Tool.

**Note:** The Lower Crossbar has the Early Childhood Resources logo.



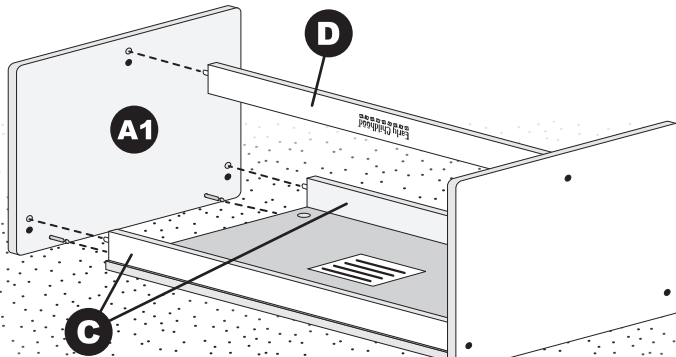
See Next Page

### 3 Connect the Left Side Panel

Install two **Cam Posts (F1)** into the threaded plastic inserts on the inside of **Left Side Panel (A1)** with a Phillips screwdriver.

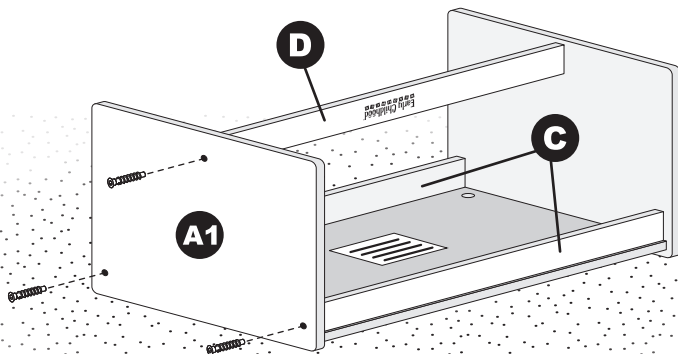
**Reminder:** Do not overtighten, as the plastic threads can be stripped.

Insert the pre-installed wooden dowels on **Upper/Lower Crossbars (C/D)** into the corresponding holes on the inside of **Left Side Panel (A1)** while inserting the Left Side Panel Cam Posts into the holes on the edge of the **Table Top (B)**. Turn the Cam Locks clockwise with a Phillips screwdriver to lock the **Table Top (B)** onto the posts.



### 4 Install the Left Side Panel

Install the **Upper/Lower Crossbars (C/D)** to the **Left Side Panel (A1)** with three **Hex Screws (E)** using the Hex Tool.



**Early Childhood<sup>®</sup>**  
**RESOURCES**

We appreciate your purchase of the Living Room Set - Coffee Table. Early Childhood Resources has made every effort to supply a quality product, that with proper use and care, will bring you many years of trouble free use!

If you experience any difficulties with this product, please email us at [customerservice@ecr4kids.com](mailto:customerservice@ecr4kids.com) or call toll-free at (888) 227-9028 (Monday - Friday, 7:00am - 4:00pm Pacific Standard Time)

**Please do not return** to place of purchase as Early Childhood Resources will replace defective part(s) and/or product.



"Early Childhood Resources<sup>®</sup> guarantees the quality of all of our products. You can trust the quality and safety of our furniture and materials, along with the peace of mind that our products are made to last. If for any reason, you are not satisfied with the quality and workmanship of our products, we will replace the item or refund the sale."

#### Care and Cleaning

Clean wood with a damp cloth or sponge using warm water and mild soap. Wipe dry.

Do not place near heat, moisture or vaporizer which may cause wood to warp and peel.

Check for loose or worn parts periodically and tighten or replace as necessary.

**Record the manufacture date here. Information is located on the Batch ID sticker and on the shipping carton. Save this sheet in an accessible place.**

**Model Number:** ELR-0683

**Factory Code:** BR

**Manufacture Date:** \_\_\_\_\_

**Batch ID Number:** \_\_\_\_\_  
(Located on Part B)