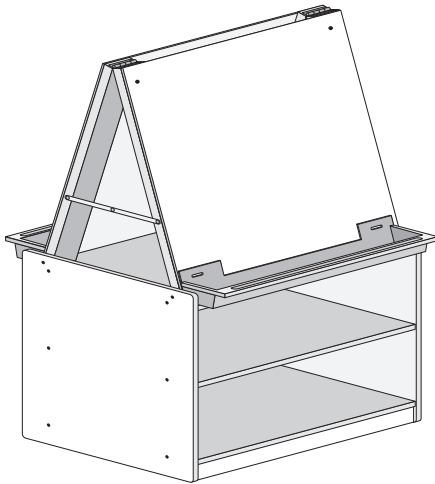


2 Station Art Easel w/Storage
 Model# C-0691-B



⚠ WARNING:

Adult Assembly Required.

- Two adults recommended.
- Contains small parts, sharp points and edges.
- Do not stand, sit, kneel, climb, lean or pull on unit for support.
- Never leave children unattended.
- Do not place unit near high heat or moisture.
- Adult supervision recommended.

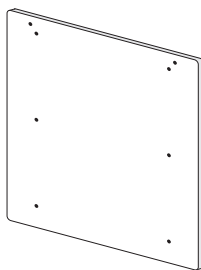
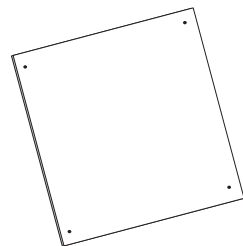
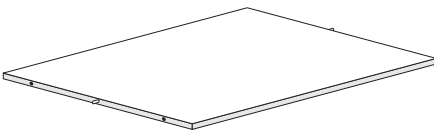
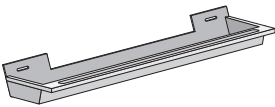
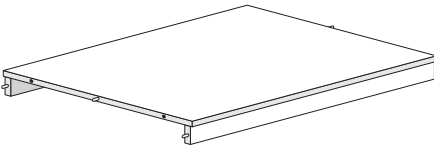
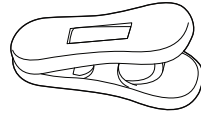
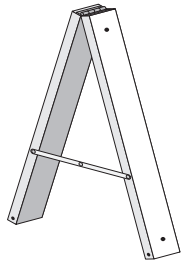
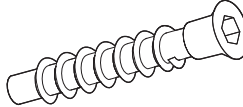
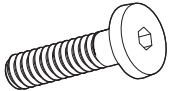
TOOLS INCLUDED

- Hex Tool (1)



Parts List

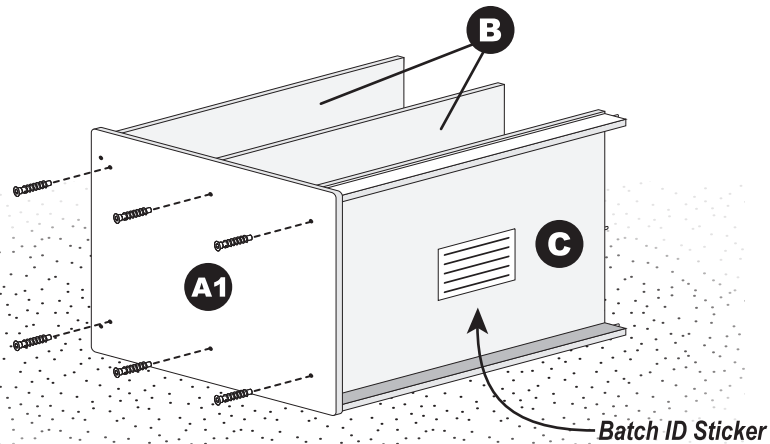
BEFORE ASSEMBLING, MAKE SURE YOU HAVE ALL THE PARTS

<p>A Side Panels (2)</p> 	<p>E Easel Boards (2)</p> 
<p>B Shelves (2)</p> 	<p>F Trays (2)</p> 
<p>C Bottom Shelf (1)</p>  <p><i>Batch ID Sticker located on underside</i></p>	<p>G Clips (4)</p> 
<p>D Easel Frames (2)</p> 	<p>H Flat Head Hex Screws (16)</p>  <p><i>Use the Hex Tool</i></p> <p>I Decorative Hex Screws (8)</p>  <p><i>Use the Hex Tool</i></p>

1 Install the Left Side Panel

Insert the pre-installed wooden dowels on **Shelves (B)** and **Bottom Shelf (C)** into the corresponding holes on the inside of **Side Panel (A)**.

Install **Side Panel (A)** onto the **Shelves (B)** and **Bottom Shelf (C)** with six **Flat Head Hex Screws (H)** using the Hex Tool.

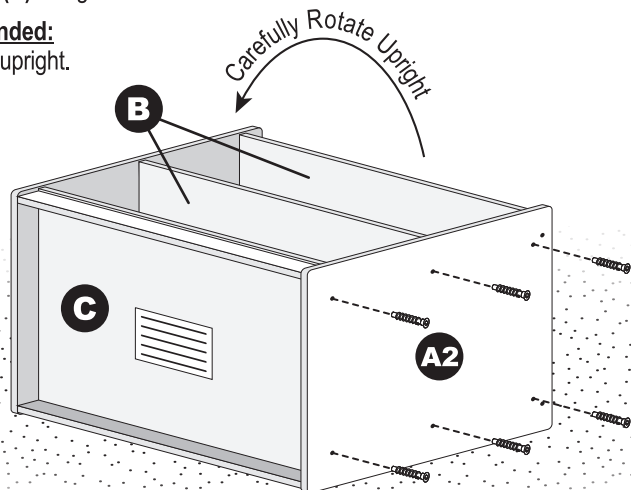


2 Install the Right Side Panel

Insert the pre-installed wooden dowels on **Shelves (B)** and **Bottom Shelf (C)** into the corresponding holes on the inside of **Side Panel (A)**.

Install **Side Panel (A)** onto the **Shelves (B)** and **Bottom Shelf (C)** with six **Flat Head Hex Screws (H)** using the Hex Tool.

Two Adults Recommended:
Carefully rotate the unit upright.



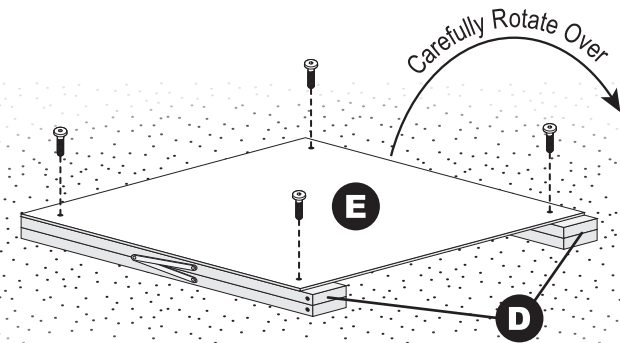
3 Loosely Assembly Easel Frame - Side 1

Loosely install an **Easel Board (E)** onto both **Easel Frames (D)** as shown, with four **Decorative Hex Screws (I)** using the Hex Tool.

Note: You will tighten completely once the trays are installed (Step 10).

Reminder: Make sure the locking hinges are facing outward on both **Easel Frames (D)** when the piano hinges are at the same end.

Carefully rotate the assembly over onto a protected surface.

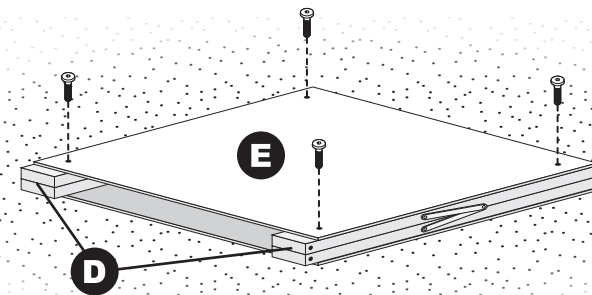


4 Loosely Assembly Easel Frame - Side 2

Loosely install the other **Easel Board (E)** onto both **Easel Frames (D)** as shown, with four **Decorative Hex Screws (I)** using the Hex Tool.

Note : You will tighten completely once the trays are installed (Step 10).

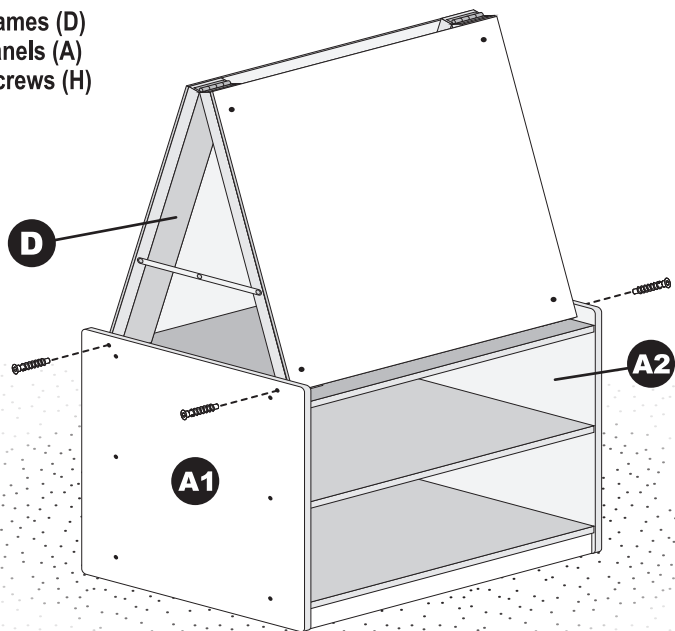
Open the **Easel Frames (D)** and secure both side hinges into the locked position.



See Next Page

5 Install the Easel Frame Assembly

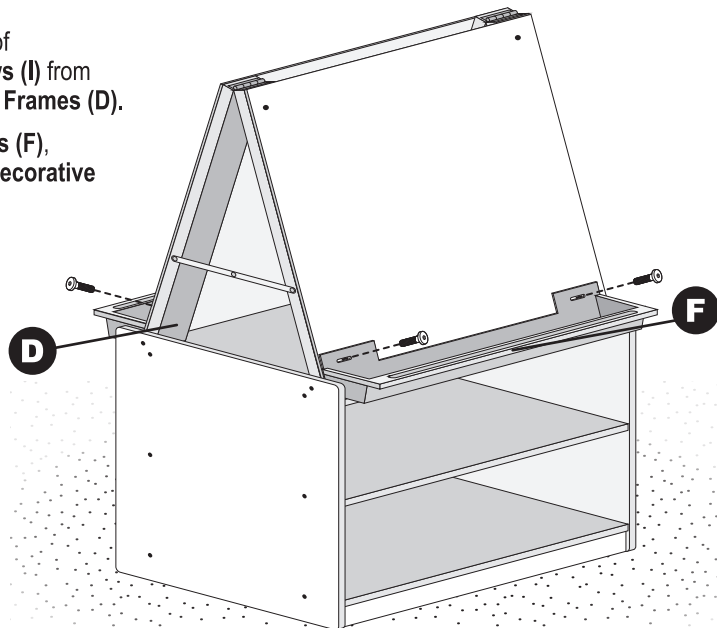
Install the locked Easel Frames (D) assembly onto the Side Panels (A) with four Flat Head Hex Screws (H) using the Hex Tool.



6 Install the Trays

Remove the lower set of Decorative Hex Screws (I) from both sides of the Easel Frames (D).

Re-install with the Trays (F), completely tighten all Decorative Hex Screws (I).



We appreciate your purchase of the 2 Station Art Easel w/ Storage. ECR4KIDS has made every effort to supply a quality product that with proper use and care, will provide many years of trouble-free use.

If you experience any difficulties with this product, please email us at ecrcs@ecr4kids.com or call toll-free at (855) ECR-4KIDS (Monday - Friday, 7:00am - 4:00pm Pacific Standard Time)

Please do not return to place of purchase as ECR4KIDS will replace defective part(s) and/or product.

Warranty: Visit our website for product specific warranty information at: www.ecr4kids.com

Care and Cleaning

Clean wood with a damp cloth or sponge using warm water and mild soap. Wipe dry.

Do not place near heat, moisture or vaporizer which may cause wood to warp and peel.

Check for loose or worn parts periodically and tighten or replace as necessary.

Record the manufacture date here. Information is located on the Batch ID sticker and on the shipping carton. Save this sheet in an accessible place.

Model Number: C-0691-B

Factory Code: DV

Manufacture Date: _____

Batch ID Number: _____
(Located on Part C)