

**BEFORE ASSEMBLING,
MAKE SURE THERE
ARE NO
MISSING PARTS.**

**TIP!
DO NOT FULLY
TIGHTEN SCREWS
UNTIL ALL SCREWS
HAVE BEEN LOOSELY
POSITIONED.**

PARTS LIST

- A** Lower Divider
- B** Lower Middle Shelf
- C** Upper Middle Shelf
- D** Lower Right Side Panel
- E** Top Shelf
- F** Bottom Shelf
- G** Front Panel
- H** Lower Left Side Panel
- I** Upper Right Side Panel
- J1** Curtain Rod
- J2** Marquee Panel
- K** Upper Left Side Panel
- L** Base Panel(2)
- M** Upper Divider
- N** Hex Head Screw(22)
- O** Metal Dowel(8)
- P** Cam(8)
- Q** Post(12)
- R** Post Screw(12)
- S** Hex Key Tool
- T** Curtains(2)

NOTE:

A Phillips Head Screwdriver will be needed for assembly (not included)



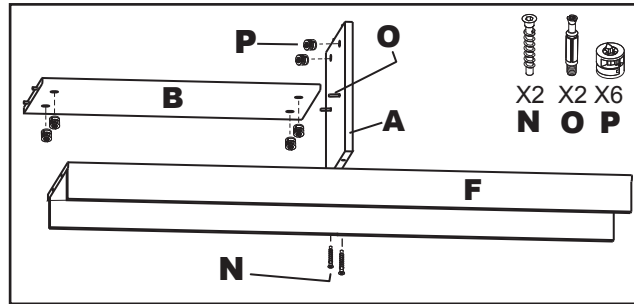
WARNING:

- **Adult Assembly Required.** Two adults recommended.
- Contains small parts, sharp points and edges.
- Do not stand, sit, kneel, climb, lean or pull on unit for support.
- Never leave children unattended.
- Do not place unit near high heat or moisture.
- **Adult Supervision Recommended.**

If you experience any difficulties with this product, please email us at customerservice@ecr4kids.com or call toll-free at (888) 227-9028 (Mon. through Fri., 8:00am to 4:00pm Eastern Standard Time)

Please do not return to place of purchase as Early Childhood Resources will replace defective part(s) and/or product.

1 Attach the Lower Divider and Lower Middle Shelf to the Base



1A. Insert 2 Cams(P) into the large holes in Lower Divider(A). Make sure arrows on the Cams(P) point toward holes in the closest edge.

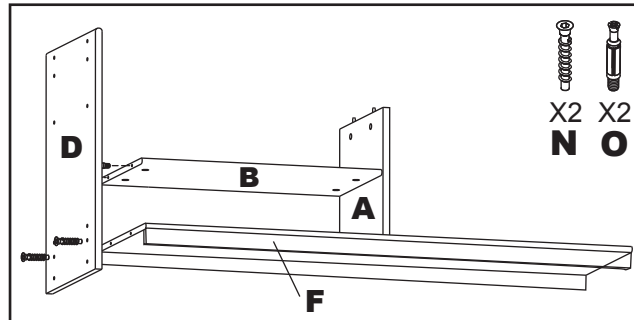
1B. Attach the Lower Divider(A) to the Bottom Shelf(F) using 2 Hex Head Screws(N) as shown. Tighten with the Hex Key Tool(S).

1C. Insert 4 Cams(P) into the large holes in the Lower Middle Shelf(B). Make sure arrows on the Cams(P) point toward holes in the closest edge.

1D. Insert 2 Metal Dowels(O) into the plastic plugs in Lower Divider(A). Tighten with a Phillips Head Screwdriver.

1E. Position Lower Middle Shelf(B) so the attached Metal Dowels(O) enter holes in the Lower Divider(A) as shown. Turn Cams(P) with a Phillips Screwdriver until locked onto Metal Dowels(O).

2 Attach the Lower Right Side Panel

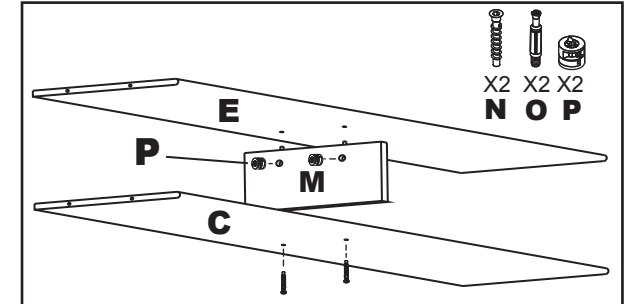


2A. Insert 2 Metal Dowels(O) into the plastic plugs located in the Lower Right Side Panel(D). Tighten with a Phillips Screwdriver.

2B. Position the Lower Right Side Panel(D) so the attached Metal Dowels(O) enter the holes in the edge of the Lower Middle Shelf(B). Turn Cams(P) with a Phillips Screwdriver until locked onto the Metal Dowels(O).

2C. Attach the Lower Right Side Panel(D) to the Bottom Shelf(F) using 2 Hex Head Screws(N). Tighten with Hex Key Tool(S).

3 Attach the Upper Divider to the Top and Upper Middle Shelves



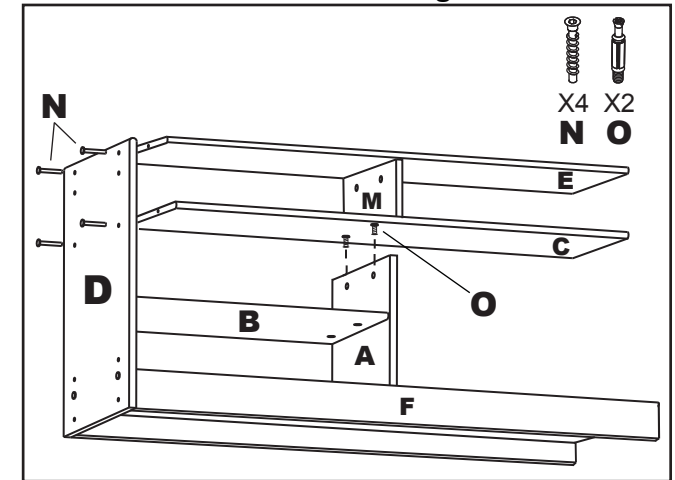
3A. Insert 2 Cams(P) into the large holes in Upper Divider(M). Make sure the arrows on the Cams(P) point toward the holes in the closest edge.

3B. Insert 2 Metal Dowels(O) into the plastic plugs located underneath the Top Shelf(E). Tighten with a Phillips Screwdriver.

3C. Position Top Shelf(E) so the attached Metal Dowels(O) enter the holes in the top edge of Upper Divider(M). Turn Cams(P) with a Phillips Screwdriver until locked onto Metal Dowels(O).

3D. Attach the bottom of Upper Divider(M) to the top of Upper Middle Shelf(C) using 2 Hex Head Screws(N). Tighten using the Hex Key Tool(S).

4 Assemble the Divider Sections and Attach the Lower Right Side Panel



4A. Insert 2 Metal Dowels(O) into the plastic plugs located underneath the Upper Middle Shelf(C). Tighten with a Phillips Head Screwdriver.

4B. **Two Adults Suggested:** Position the Upper Divider Section(C,E,M) so the attached Metal Dowels(O) enter holes in the top edge of Lower Divider(A).

4C. Attach the Upper Divider Section(C,E,M) to the Lower Right Side Panel(D) using 4 Hex Head Screws(N) as shown. Tighten using the Hex Key Tool(S).