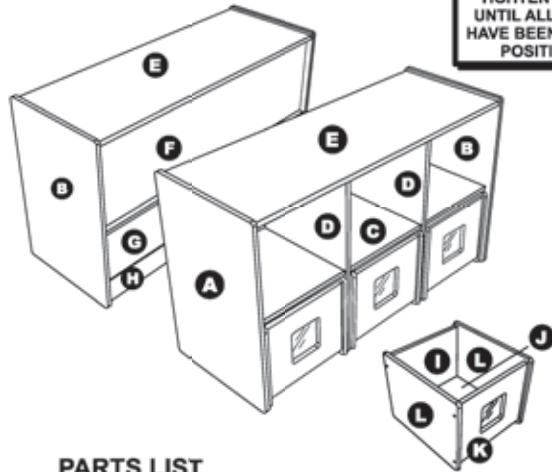


See & Store Shelf
Model #ELR-0696

TIP!
DO NOT FULLY
TIGHTEN SCREWS
UNTIL ALL SCREWS
HAVE BEEN LOOSELY
POSITIONED.



PARTS LIST

- A** Left Side
- B** Right Side
- C** Middle Shelf
- D** Divider (2)
- E** Top Shelf
- F** Upper Back
- G** Lower Back
- H** Brace
- I** Bin Back (3)
- J** Bin Bottom (3)
- K** Bin Front (3)
- L** Bin Side (6)
- M** Cam (4)
- N** Metal Dowel (4)
- O** Hex Head Screws (36)
- P** Wheel Casters (12)
- Q** Caster Screws (48)
- R** Hex Key Tool

NOTE:
A Phillips Head Screwdriver
will be needed for
Assembly(not included)



**BEFORE ASSEMBLING,
MAKE SURE THERE
ARE NO
MISSING PARTS.**

WARNING:

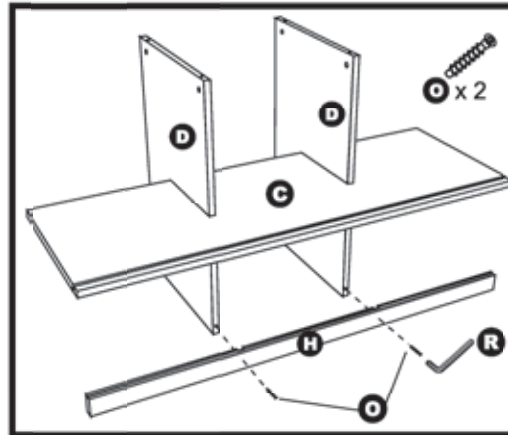
- Adult Assembly Required.** Two adults recommended.
- Contains small parts, sharp points and edges.
 - Do not stand, sit, kneel, climb, lean or pull on unit for support
 - Never leave children unattended.
 - Do not place unit near high heat or moisture.
 - Adult Supervision Recommended.

If you experience any difficulties with this product, please email us at customerservice@ecr4kids.com or call toll free at 1-888-227-9028 (Mon. through Fri., 8:00am to 4:00pm Eastern Standard Time).
Please do not return to place of purchase as Early Childhood Resources will replace defective part(s) and/or product.

1 Attach Dividers to Middle Shelf & Brace

Align slits in Dividers (D) with slits in Middle Shelf (C) and slide until slits are fully engaged. Fasten Brace (H) to bottom of Dividers (D) with 2 Hex Head Screws (O) using the Hex Key Tool (R).

Note: Make sure the groove on Middle Shelf (C) is facing upward before inserting into the slot.

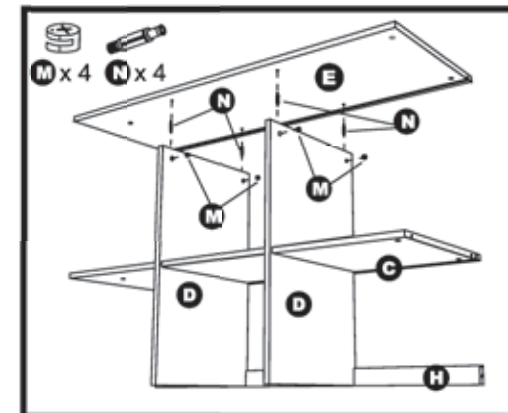


2 Attach Top Shelf to Dividers

Insert 4 Metal Dowels (N) into plastic plugs located on underside of Top Shelf (E) and tighten with Phillips Head Screwdriver.

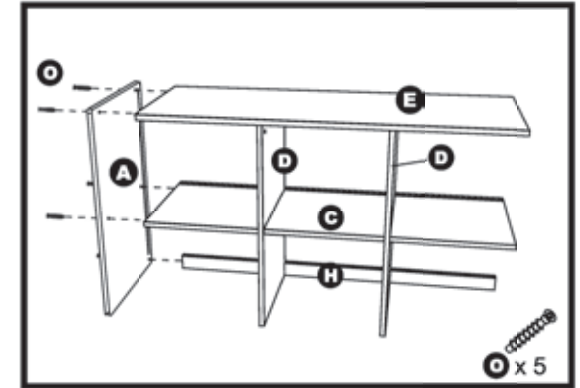
Insert Cams (M) into large holes near top of Dividers (D) making sure that the arrow on the Cams point toward the holes in the closest edge.

Position Top Shelf (E) so that Metal Dowels (N) enter holes in top edge of Dividers (D) & turn Cams (M) with Phillips Head Screwdriver until locked onto Metal Dowels (N).



3 Attach Left Side to Top, Middle Shelf & Brace

Attach Left Side (A) to Top Shelf (E), Middle Shelf (C) & Brace (H) with 5 Hex Head Screws (O) using the Hex Key Tool.



4 Install Upper & Lower Backs

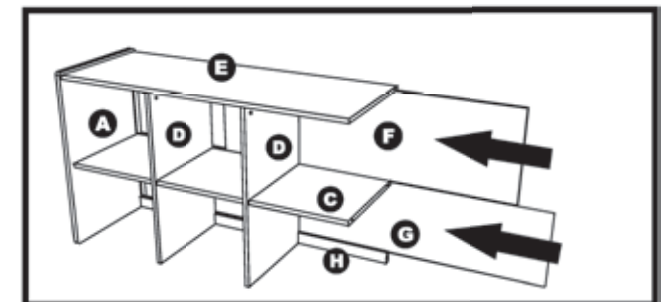
Slide Lower Back (G) into grooves in Brace (H) and Middle Shelf (C) until it is fully inserted into groove in Left Side (A).

Slide Upper Back (F) into grooves in Top Shelf (E) and Middle Shelf (C) until it is fully inserted into groove in Left Side (A).

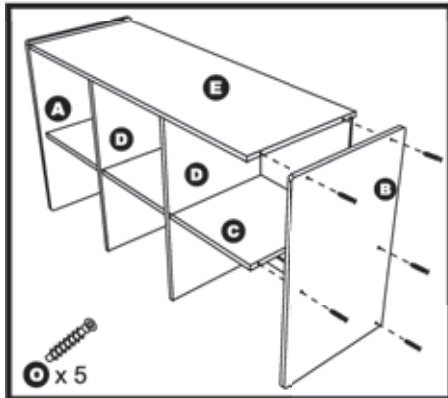
Tip!

If the Back Panels (F & G) do not slide easily into the grooves, wiggle the Back Panels (F & G) while pushing the panel into the grooves.

You may also turn the rear Cams (M) on the shelf above or below to unlock, push the Back Panels (F & G) until fully inserted into the grooves, then turn Cams (M) to the locked position again.

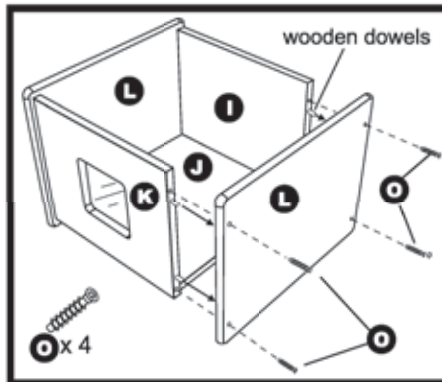


5 Attach Right Side



Attach the Right Side(B) to Top Shelf(E), Middle Shelf(C) & Brace(H) using 5 Hex Head Screws(O). Tighten with the Hex Key Tool(R).

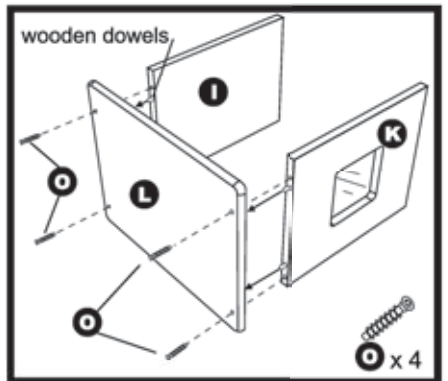
8 Attach Right Bin Side



Position Bin Right Side(L) so the pre-installed wooden dowels in the Bin Front & Back(K&I) fully enter holes in Bin Right Side(L).

Secure using 4 Hex Head Screws(O) as shown. Tighten with the Hex Key Tool(R).

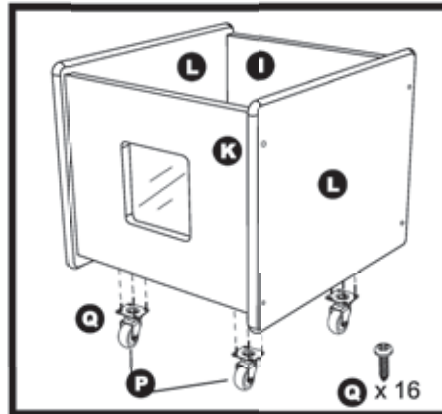
6 Attach Bin Left Side to Bin Front & Back



Position Bin Front(K) so the pre-installed wooden dowels in the left ends enter holes in Bin Left Side(L). Secure using 2 Hex Head Screws(O) as shown. Tighten with the Hex Key Tool(R).

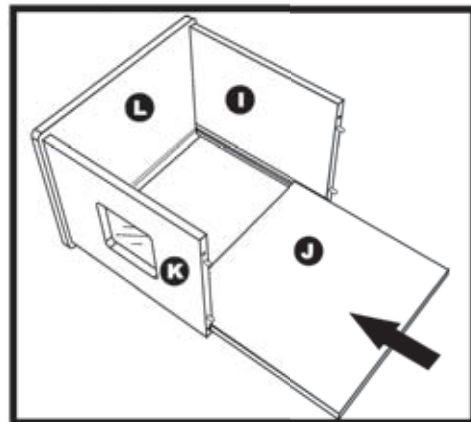
Position Bin Back(I) so the pre-installed wooden dowels in the left end enter holes in Bin Left Side(L). Secure using 2 Hex Head Screws(O) as shown. Tighten with the Hex Key Tool(R).

9 Install Wheel Casters



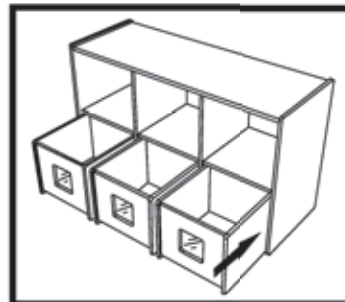
Fasten 4 Wheel Casters (P) with 4 Caster Screws (Q) in each Wheel Caster (P) using a Phillips Head Screwdriver.

7 Install Bin Bottom Shelf



Slide Bin Bottom Shelf(J) into the grooves in the Bin Front and Back(I,K) until fully inserted into the slots as shown.

10 Assemble 2 more Bins and Slide into Position



Repeat Steps 6, 7, 8 & 9 for remaining 2 Bins. Bins can now be rolled into bottom of Shelf for storage.

11 You Are Done!

CAUTION:

- Do not allow children to climb, sit or stand on table or bins.
- Do not use as a step ladder.

**Early Childhood
RESOURCES**

We appreciate your purchase of the See & Store Shelf. Early Childhood Resources has made every effort to supply a quality product, that with proper use and care, will bring you many years of trouble free use!

Care and Cleaning

Clean wood with a damp cloth or sponge using warm water and mild soap. Wipe dry.

Do not place near heat, moisture or vaporizer which may cause wood to warp and peel.

Check for loose or worn parts periodically and tighten or replace as necessary.



"Early Childhood Resources® guarantees the quality of all of our products. You can trust the quality and safety of our furniture and materials, along with the peace of mind that our products are made to last. If for any reason, you are not satisfied with the quality and workmanship of our products, we will replace the item or refund the sale."

Record the manufacture date here. Information is located on a label enclosed and on the shipping carton. Place label and this sheet in an accessible place.

Model Number: ELR-0696

Purchase Order Number: _____