

BEFORE ASSEMBLING, MAKE SURE THERE ARE NO MISSING PARTS.

TIP!
 DO NOT FULLY TIGHTEN SCREWS UNTIL ALL SCREWS HAVE BEEN LOOSELY POSITIONED.

PARTS LIST

- A** Table Side Panel(2)
- B** Baffle(2)
- C** Center Panel
- D** Top Shelf
- E** Bin Side Panel(12)
- F** Bin Front Panel(6)
- G** Bin Back Panel(6)
- H** Hex Head Screw(64)
- I** Wheel Casters(24)
- J** Caster Screw(96)
- K** Bin Bottom Shelf(6)
- L** Hex Key Tool

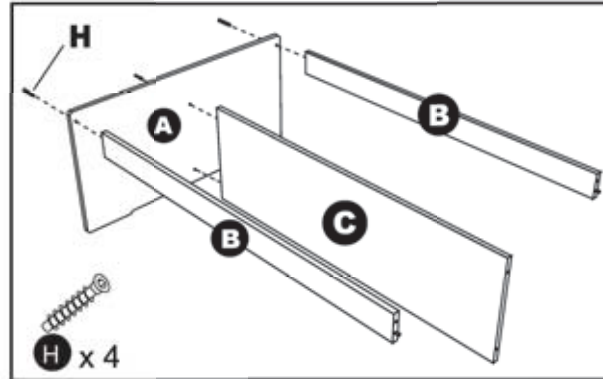
NOTE:
 A Phillips Head Screwdriver will be needed for Assembly(not included)



WARNING:
Adult Assembly Required. Two adults recommended.
 - Contains small parts, sharp points and edges.
 - Do not stand, sit, kneel, climb, lean or pull on unit for support.
 - Never leave children unattended.
 - Do not place unit near high heat or moisture.
 - Adult Supervision Recommended.

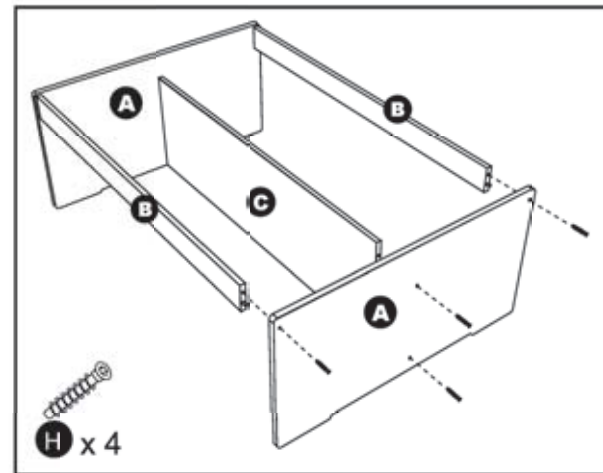
If you experience any difficulties with this product, please email us at customerservice@ecr4kids.com or call toll-free at (888) 227-9028 (Mon. through Fri., 8:00am to 4:00pm Eastern Standard Time)
Please do not return to place of purchase as Early Childhood Resources will replace defective part(s) and/or product.

1 Attach the Center Panel and Baffles



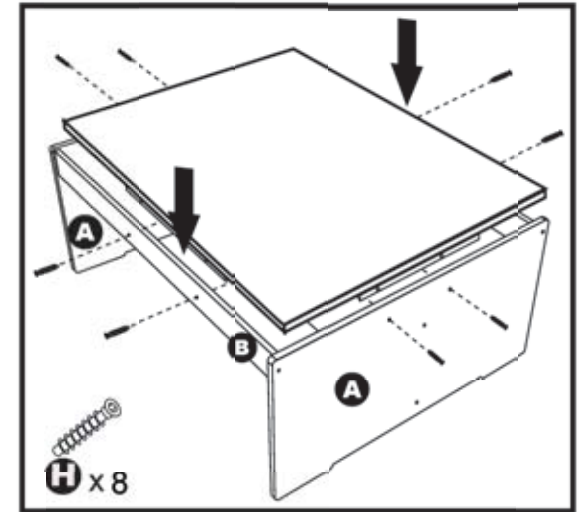
1A. Attach the Center Panel(C) to a Table Side Panel(A) using 2 Hex Head Screws(H). Tighten with the Hex Key Tool(L).
 1B. To attach the 2 Baffles(B) to the Table Side Panel(A), insert the pre-installed wooden dowels in the Baffles(B) into the holes in Table Side Panel(A), then secure with 2 Hex Head Screws(H), as shown.

2 Attach the Second Table Side Panel



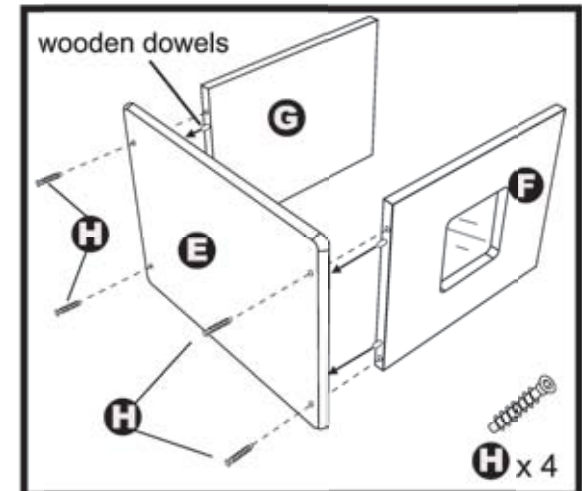
2A. Position the second Table Side Panel(A) so the pre-installed wooden dowels in the Baffles(B) enter the holes on the inside of the second Table Side Panel(A).
 2B. Secure Table Side Panel(A) to the assembled unit using 4 Hex Head Screws(H) as shown. Tighten with the Hex Key Tool(L).

3 Attach the Top Shelf



3. Attach Top Shelf(D) to both Side Panels(A) & both Baffles(B) using 8 Hex Head Screws(H). Tighten with the Hex Key Tool(L).

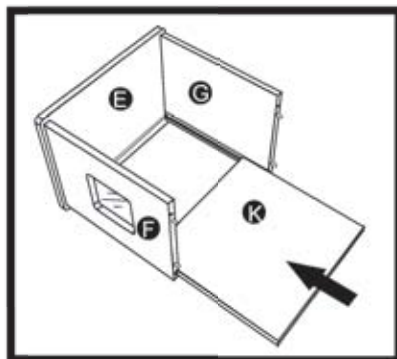
4 Attach Bin Left Side to Bin Front & Back



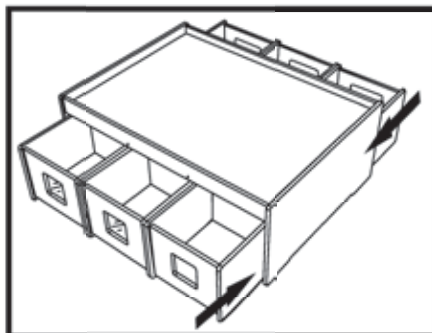
4A. Position the Bin Front Panel(F) and Bin Back Panel(G) so the pre-installed wooden dowels enter holes in the Bin Side Panel(E) as shown.
 4B. Secure Bin Side Panel(E) to the Bin Front Panel(F) and Bin Back Panel(G) using 4 Hex Head Screws(H), as shown. Tighten with the Hex Key Tool(L).

5 Install Bin Bottom Shelf

5. Slide Bin Bottom Shelf(K) into the grooves in Bin Front and Back Panels(F,G) until fully inserted into the groove in Bin Left Side(E) as shown.



8 Insert the Bins

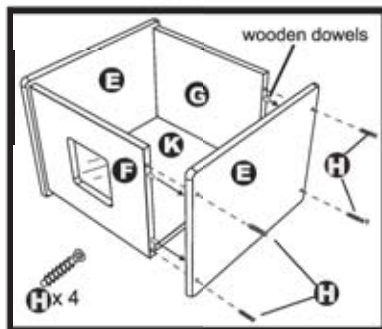


8A. Return the Bins to the upright position.

8B. Roll 3 Bins under each side of the assembled Table as shown.

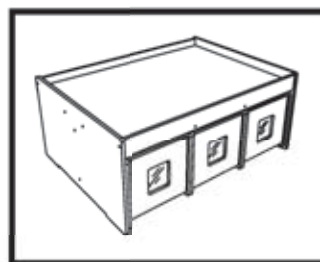
6 Attach the Bin Right Side

6A. Position Bin Right Side(E) so the pre-installed wooden dowels in the Bin Front & Back Panels(F,G) are fully inserted into the holes in Bin Right Side(E).



6B. Secure the Bin Right Side(E) using 4 Hex Head Screws(H) as shown. Tighten with Hex Key Tool(L).

9 You are done!



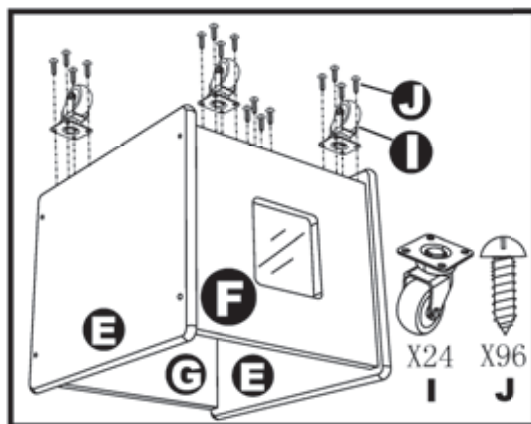
CAUTION:

- Do not allow children to climb, sit or stand on table or bins.
- Do not use as a stepladder.

7 Attach the Wheel Casters to the Bins

7A. Turn the assembled Bin upside down on a carpet or protected surface.

7B. Attach 4 Wheel Casters(I) to each of the 6 assembled Bins using the 96 Caster Screws(J), using 4 per caster as shown. Tighten with a Phillips Head Screwdriver.



Early Childhood RESOURCES

We appreciate your purchase of the See & Store Activity Table. Early Childhood Resources® has made every effort to supply a quality product, that with proper use and care, will bring you many years of trouble free use!

Care and Cleaning

Clean wood with a damp cloth or sponge using warm water and mild soap. Wipe dry.

Do not place near heat, moisture or vaporizer which may cause wood to warp and peel.

Check for loose or worn parts periodically and tighten or replace as necessary.



"Early Childhood Resources® guarantees the quality of all of our products. You can trust the quality and safety of our furniture and materials, along with the peace of mind that our products are made to last. If for any reason, you are not satisfied with the quality and workmanship of our products, we will replace the item or refund the sale."

Record the Purchase Order Number here. Information is located on a label enclosed, and on the shipping carton. Place label and this sheet in an accessible place.

Model Number: **ELR-0697**

Purchase Order Number: _____