

**BEFORE ASSEMBLING, MAKE SURE THERE ARE NO MISSING PARTS.**

**TIP!**  
DO NOT FULLY TIGHTEN SCREWS UNTIL ALL SCREWS HAVE BEEN LOOSELY POSITIONED.

**PARTS LIST**

- A** Top Shelf
- B** Bench Left Side
- C** Bench Right Side
- D** Bench Back
- E** Washboard
- F** Bin Bottom Shelf (3)
- G** Bin Left Side (3)
- H** Bin Right Side (3)
- I** Bin Front (3)
- J** Bin Back (3)
- K** Hex Screws (38)
- L** Seat Cushion
- M** Short Brace (2)
- N** Long Brace (2)
- O** Wheel Caster (12)
- P** Caster Screws (48)
- Q** Hex Key Tool

**WARNING:**  
Adult Assembly Required. Two adults recommended.  
- Contains small parts, sharp points and edges.  
- Do not stand, sit, kneel, climb, lean or pull on unit for support.  
- Never leave children unattended.  
- Do not place unit near high heat or moisture.  
- Adult Supervision Recommended.

If you experience any difficulties with this product, please contact us toll free at 1-888-227-9028 (Monday through Friday, 6:00am to 4:00pm Pacific Time).

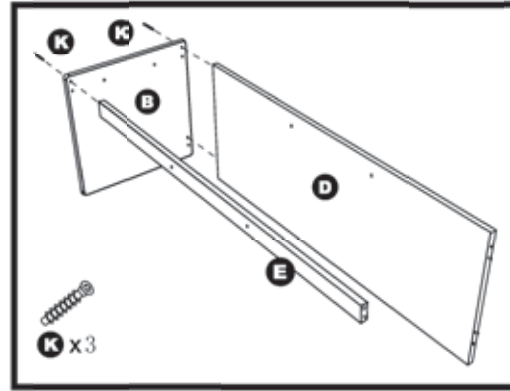
Please do not return to place of purchase as Early Childhood Resources will replace defective parts and/or product.

**NOTE:**  
A Phillips Head Screwdriver will be needed for Assembly(not included)



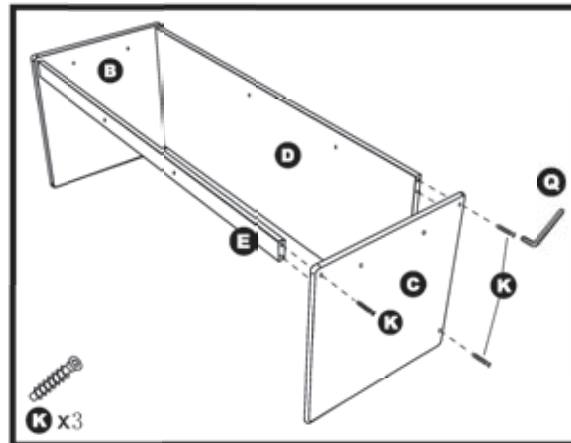
**1 Attach Bench Left Side to Bench Back & Washboard**

Attach Bench Left Side (B) to Bench Back (D) & Washboard (E) with 3 Hex Screws(K) using Hex Key Tool(Q).



**2 Attach Bench Right Side to Bench Back & Washboard**

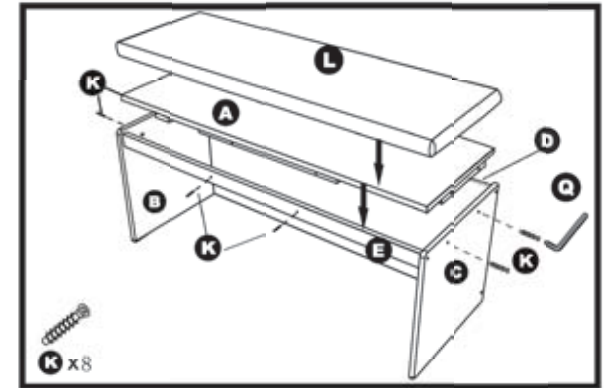
Attach Bench Right Side (C) to Bench Back (D) & Washboard (E) with 3 Hex Screws(K) using Hex Key Tool(Q).



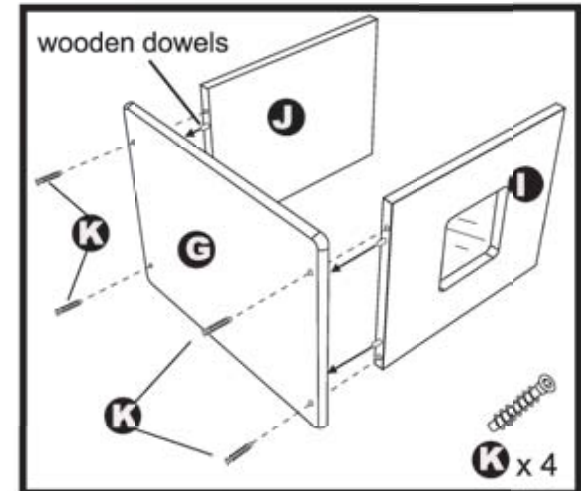
**3 Attach Top Shelf & Install Cushion**

Attach Top Shelf (A) to Bench Left Side (B) & Bench Right Side (C) & Bench Back (D) & Washboard (E) with 8 Hex Screws (K) using Hex Key Tool (Q).

Remove the adhesive paper from the loop-lock strips on the Seat Cushion (L). Position the Cushion (L) on the Top Shelf (A), then press firmly until the loop-lock strips stick to the Top Shelf (A) in the correct place. Remove the Cushion (L), and press the loop-lock strips firmly to secure to the unit, then replace.



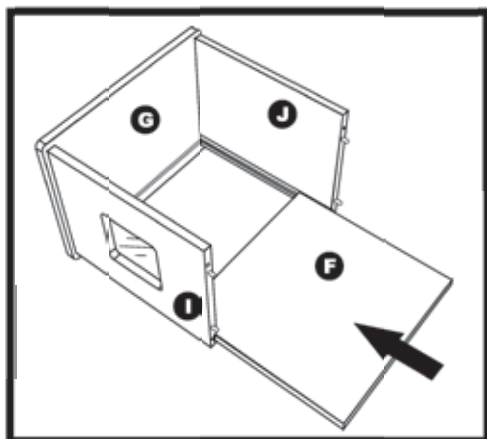
**4 Attach Bin Left Side to Bin Front & Back**



4A. Position the Bin Front Panel(I) and Bin Back Panel(J) so the pre-installed wooden dowels enter holes in the Bin Side Panel(G) as shown.

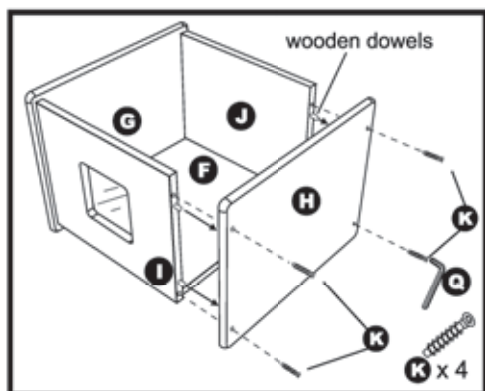
4B. Secure Bin Side Panel(G) to Bin Front Panel(I) and Bin Back Panel(J) using 4 Head Head Screws(K), as shown. Tighten with the Hex Key Tool(Q).

## 5 Install Bin Bottom Shelf



5. Slide Bin Bottom Shelf(F) into the grooves located inside the Bin Front and Back Panels(I&J) until fully inserted into the groove in Bin Left Panel(G) as shown.

## 6 Attach Right Side

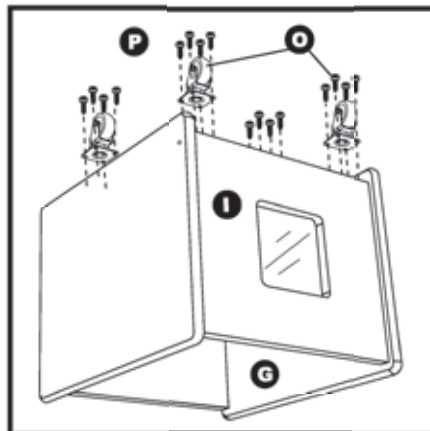


6A. Position Bin Right Side(H) so the pre-installed wooden dowels in the Bin Front & Back Panels(I,J) are fully inserted into the holes in Bin Right Side(H).

6B. Secure the Bin Right Side(H) using 4 Hex Head Screws(K) as shown. Tighten with Hex Key Tool(Q).

## 7 Install Wheel Casters

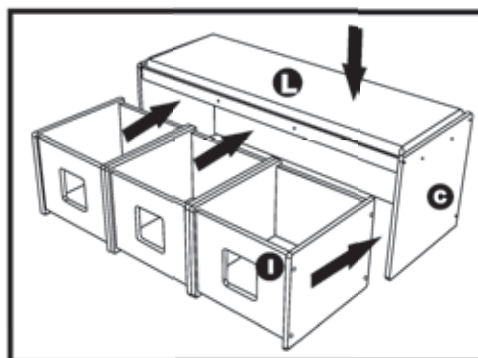
7. On a carpet or protected surface, turn the assembled Bin upside down. Fasten 4 Wheel Casters(O) to the Bin Bottom Shelf(F) using 16 Caster Screws(P). Tighten with a Phillips Head Screwdriver.



## 8 Insert the Bins and Attach the Cushion

Repeat Steps 4, 5, 6 & 7 for remaining 2 Bins. Bins can now be rolled under bench for storage.

Place the Seat Cushion(L) on top of Top Shelf(A).



## 9 You Are Done!



### CAUTION:

- Do not allow children to climb, sit or stand on table or bins.
- Do not use as a step ladder.

**Early Childhood**  
**RESOURCES**

We appreciate your purchase of the See & Store Bench. Early Childhood Resources has made every effort to supply a quality product, that with proper use and care, will bring you many years of trouble free use!

### Care and Cleaning

Clean wood with a damp cloth or sponge using warm water and mild soap. Wipe dry.

Do not place near heat, moisture or vaporizer which may cause wood to warp and peel.

Check for loose or worn parts periodically and tighten or replace as necessary.



"Early Childhood Resources® guarantees the quality of all of our products. You can trust the quality and safety of our furniture and materials, along with the peace of mind that our products are made to last. If for any reason, you are not satisfied with the quality and workmanship of our products, we will replace the item or refund the sale."

Record the manufacture date here. Information is located on a label enclosed and on the shipping carton. Place label and this sheet in an accessible place.

Model Number: ELR-0698

Purchase Order Number: \_\_\_\_\_