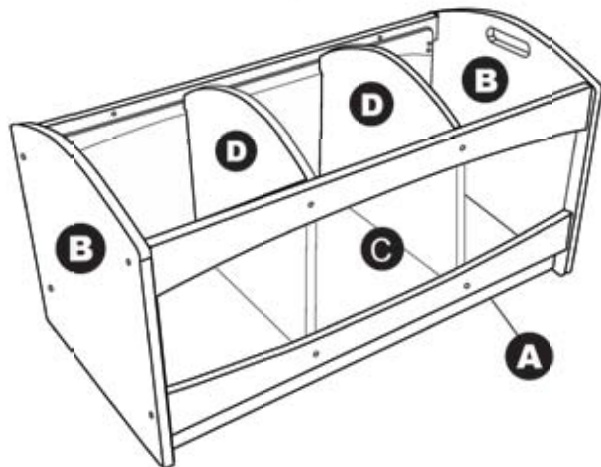


See & Store Storage Assembly Instructions

Model # ELR-0699

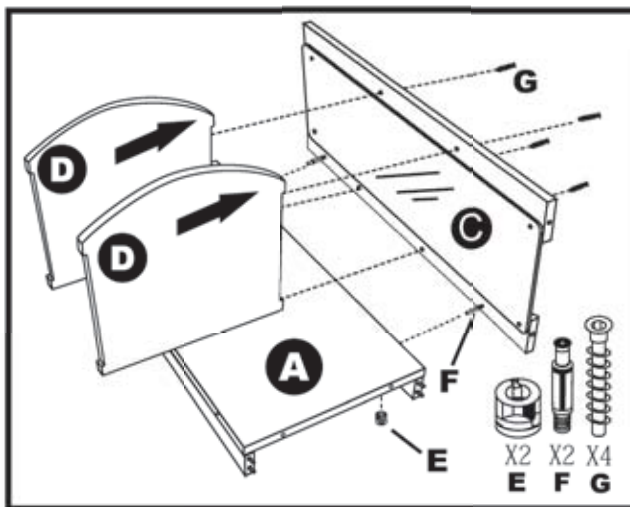


1 Attach a Side Panel and the Dividers

1A. Insert 2 Metal Dowels(F) into the plastic plugs located on the inside of the Side Panel (C). Tighten with the Phillips Head Screwdriver.

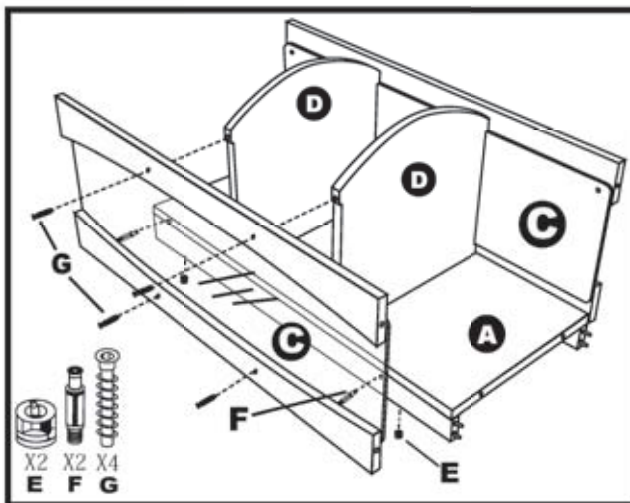
1B. Insert 2 Cams(E) into the large holes under the long side of Base(A) as shown. Make sure arrows on Cams(E) point toward holes in the closest edge.

1C. Attach 2 Dividers(D) to the Side Panel(C) using 4 Hex Head Screws(G) as shown. Tighten with the Hex Key Tool(J).

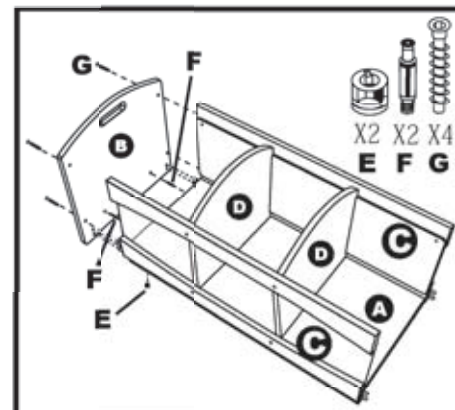


2 Attach the Second Side Panel

2A. Repeat Steps 1A, 1B & 1C to attach the second Side Panel(C) to the assembled unit.



3 Attach the First End Panel



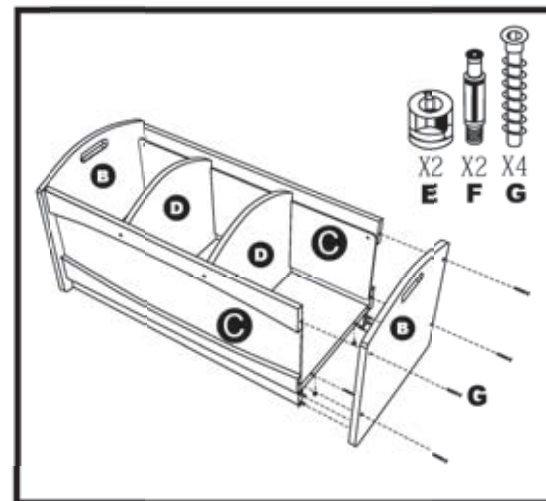
3A. Insert 2 Metal Dowels(F) into the plastic plugs located in End Panel(B). Tighten with the Phillips Head Screwdriver.

3B. Insert 2 Cams(E) into the large holes near the end Base(A) as shown. Make sure arrows on Cams(E) point toward holes in the closest edge.

3C. Position the End Panel(B) so the 4 pre-installed wooden dowels in the end of Base(A) enter holes in the End Panel(B) as shown.

3D. Secure End Panel(B) to the Side Panel(C) using 4 Hex Head Screws (G). Tighten with the Hex Key Tool(J).

4 Attach the Other End Panel



4A. Repeat Steps 3A, 3B, 3C and 3D to attach the second End Panel(B) as shown.

BEFORE ASSEMBLING, MAKE SURE THERE ARE NO MISSING PARTS.

TIP!
DO NOT FULLY TIGHTEN SCREWS UNTIL ALL SCREWS HAVE BEEN LOOSELY POSITIONED.

WARNING:

Adult Assembly Required. Two adults recommended.

- Contains small parts, sharp points and edges.
- Do not stand, sit, kneel, climb, lean or pull on unit for support.
- Never leave children unattended.
- Do not place unit near high heat or moisture.
- Adult Supervision Recommended.

If you experience any difficulties with this product, please contact us toll free at 1-888-227-9028 (Monday through Friday, 6:00am to 4:00pm Pacific Time).

Please do not return to place of purchase as Early Childhood Resources will replace defective parts and/or product.

PARTS LIST

- A** Base
- B** End Panel(2)
- C** Side Panel(2)
- D** Divider(2)
- E** Cam(8)
- F** Metal Dowel(8)
- G** Hex Head Screw(16)
- H** Caster(4)
- I** Caster Screw(16)
- J** Hex Key Tool

NOTE:
A Phillips Head Screwdriver will be needed for assembly (not included)

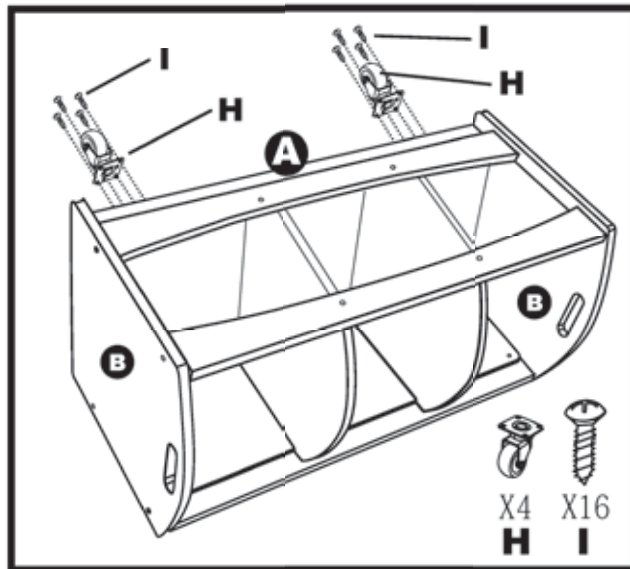


5 Attach the Wheel Casters (Optional)

5A. On carpet or protected surface, carefully turn the unit onto its side as shown.

5B. Attach 4 Wheel Casters(H) underneath Base(A) using 16 Caster Screws(I). Tighten with a Phillips Head Screwdriver.

Carefully turn the unit upright.



CAUTION:

- Do not allow children to stand or climb on shelves.
- Do not use as a stepladder or cart.

**Early Childhood
RESOURCES**

We appreciate your purchase of the See & Store Storage unit. Early Childhood Resources has made every effort to supply a quality product, that with proper use and care, will bring you many years of trouble free use!

Care and Cleaning

Clean wood with a damp cloth or sponge using warm water and mild soap. Wipe dry.

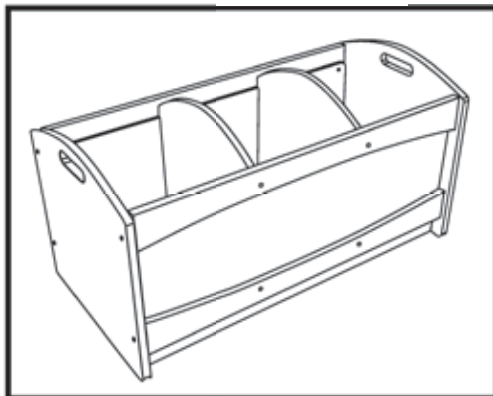
Do not place near heat, moisture or vaporizer which may cause wood to warp and peel.

Check for loose or worn parts periodically and tighten or replace as necessary.



"Early Childhood Resources® guarantees the quality of all of our products. You can trust the quality and safety of our furniture and materials, along with the peace of mind that our products are made to last. If for any reason, you are not satisfied with the quality and workmanship of our products, we will replace the item or refund the sale."

6 You are done!



Record the Purchase Order Number here. Information is located on a label enclosed, and on the shipping carton. Place label and this sheet in an accessible place.

Model Number: **ELR-0699**

Purchase Order Number: _____