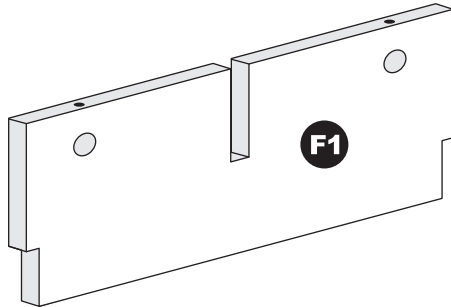


Dress Up Carousel
 Model# ELR-0702-A

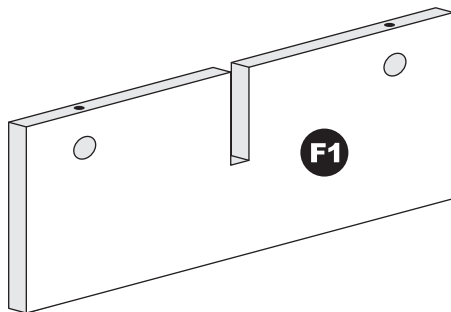
Supplemental Instructions

Your ELR-0702-A contains two pieces Labeled F1, but they are not identical or interchangeable.

Please refer to this sheet for easy identification and correct installation placement.



Lower Divider (F1)
 FOR USE IN ASSEMBLY STEP 3
 NOTCH ON LOWER CORNERS



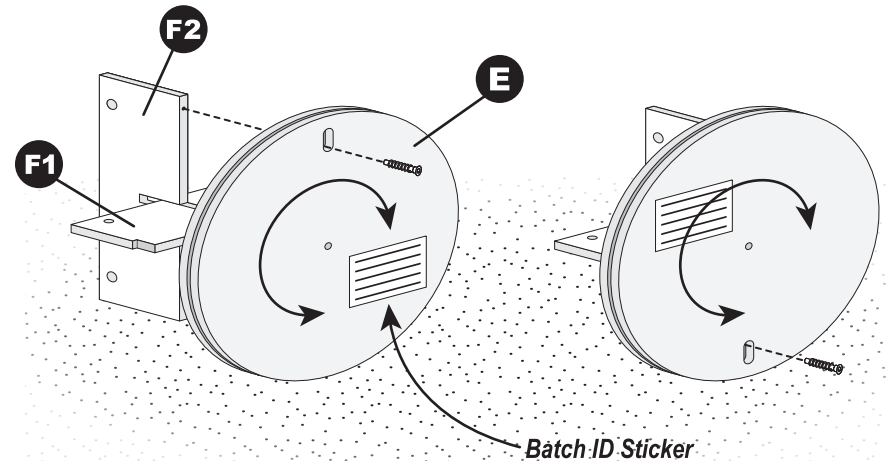
Lower Divider (F1)
 FOR USE IN ASSEMBLY STEP 4
 NO NOTCH ON LOWER CORNERS

3 Install Lower Dividers onto Bottom Shelf

Align the slits on the Lower Dividers (F1/F2) as shown, and slide together until seated. Install the Lower Divider (F2) onto the Bottom Shelf (E) with two Hex Screws (M) using the Hex Tool.

Tip: Rotate the Lower Panel of the Bottom Shelf (E) to align the screw holes with the access window.

Note: Use the Lower Divider (F1) with the notch on the lower corners for this step.



4 Install Lower Dividers onto Lower Shelf

Align the slits on the Lower Dividers (F1/F2) as shown, and slide together until seated. Install the Lower Divider (F2) onto the Lower Shelf (D) with two Hex Screws (M) using the Hex Tool.

