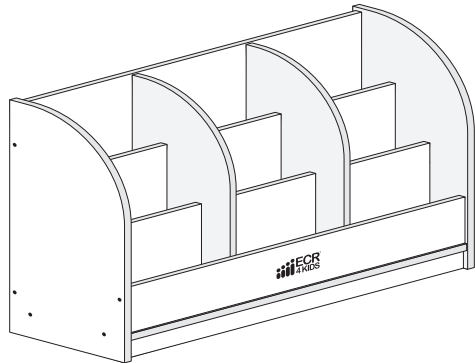




San Diego, CA 92110 USA
www.ecr4kids.com

Colorful Essentials Single-Sided Book Stand - Toddler Model# ELR-0721-A



⚠ WARNING:

Adult Assembly Required.

- Two adults recommended.
- Contains small parts, sharp points and edges.
- Do not stand, sit, kneel, climb, lean or pull on unit for support.
- Never leave children unattended.
- Do not place unit near high heat or moisture.
- Adult supervision recommended.

TOOLS INCLUDED

- Hex Tool (1)



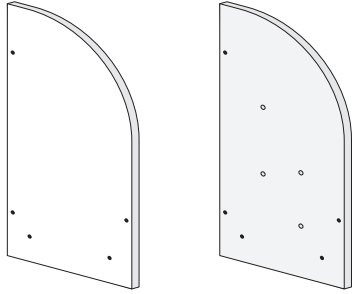
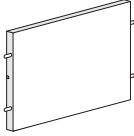
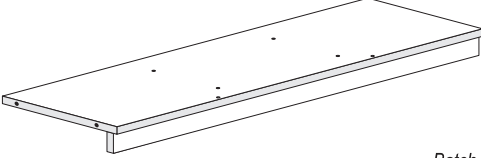
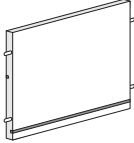
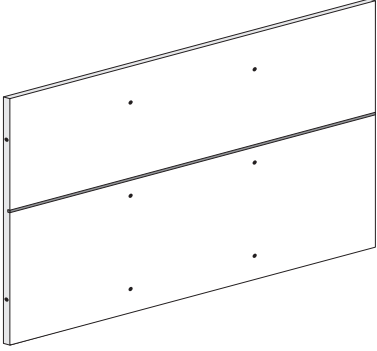

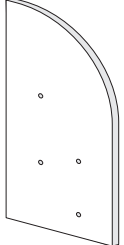

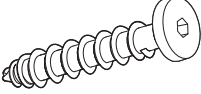
TOOLS NEEDED

- Phillips Screwdriver



Parts List

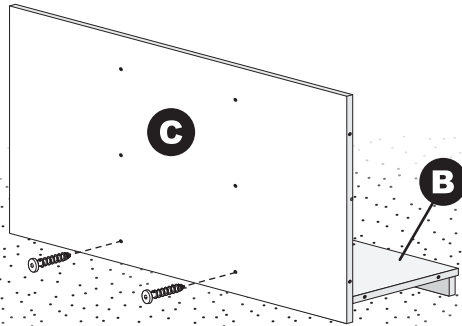
BEFORE ASSEMBLING, MAKE SURE YOU HAVE ALL THE PARTS

<p>A Left & Right Side Panels (1/1)</p> 	<p>E Front Dividers (3)</p> 
<p>B Bottom Shelf (1)</p>  <p><i>Batch ID Sticker located on underside.</i></p>	<p>F Rear Dividers (3)</p> 
<p>C Back Panel (1)</p> 	<p>G Front Crossbar (1)</p> 
<p>D Curved Dividers (2)</p> 	<p>H Shelves (6)</p>  <p>I Decorative Hex Screws (20)</p> 

Use the Hex Tool.

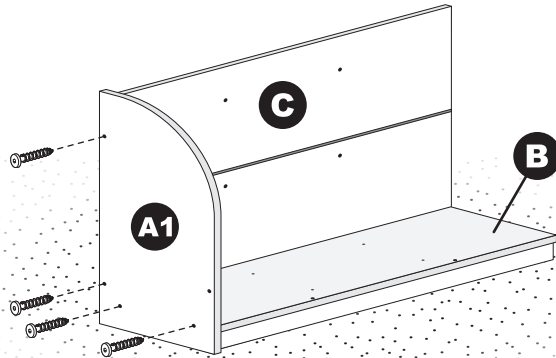
1 Install the Back Panel

Install the **Back Panel (C)** onto the **Bottom Shelf (B)** with two **Decorative Hex Screws (I)** using the Hex Tool.



2 Install the Left Side Panel

Install the **Left Side Panel (A1)** onto the **Bottom Shelf (B)** and **Back Panel (C)** with four **Decorative Hex Screws (I)** using the Hex Tool.

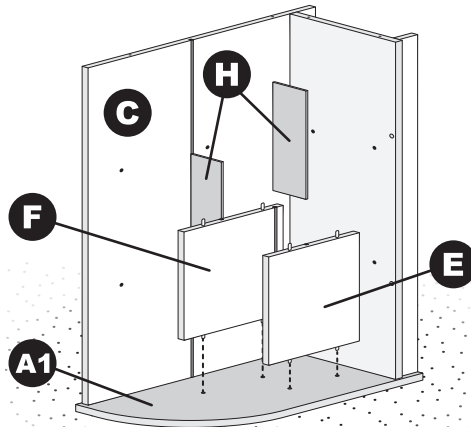


3 Insert Dividers and Shelves

Insert the pre-installed wooden dowels on the **Front/Rear Dividers (E/F)** into the corresponding holes on the inside of the **Left Side Panel (A1)**.

Reminder: Make sure the grooves on the Dividers align with each other and the Back Panel.

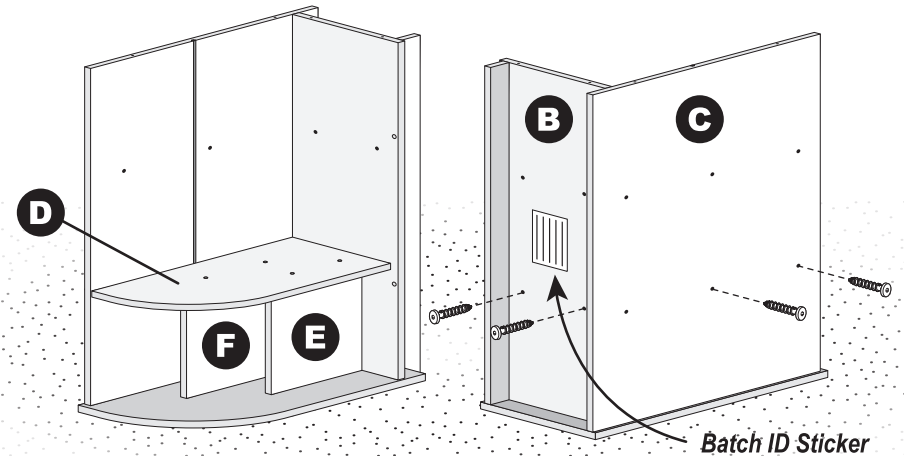
Slide two **Shelves (H)** into the grooves on the **Front/Rear Dividers (E/F)** and **Back Panel (C)** as shown, until fully seated against the side of the **Left Side Panel (A1)**.



4 Install a Curved Divider

Insert the pre-installed wooden dowels on the **Front/Rear Dividers (E/F)** into the corresponding holes on the side of a **Curved Divider (D)**.

Install the **Curved Divider (D)** onto the **Bottom Panel (B)** and **Back Panel (C)** with four **Decorative Hex Screws (I)** using the Hex Tool.

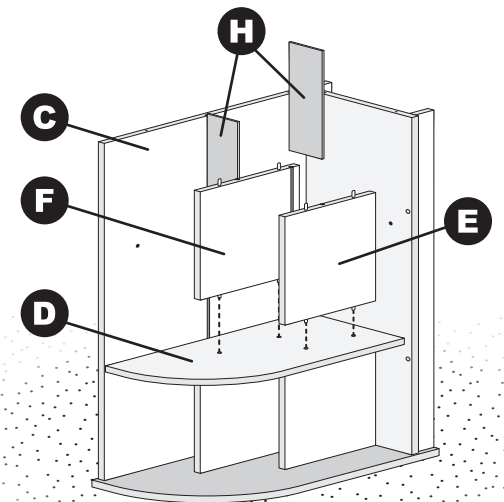


5 Insert Dividers and Shelves

Insert the pre-installed wooden dowels on the **Front/Rear Dividers (E/F)** into the corresponding holes on the side of the **Curved Divider (D)**.

Reminder: Make sure the grooves on the Dividers align with each other and the Back Panel.

Slide two **Shelves (H)** into the grooves on the **Front/Rear Dividers (E/F)** and **Back Panel (C)** as shown, until fully seated against the side of the **Curved Divider (D)**.

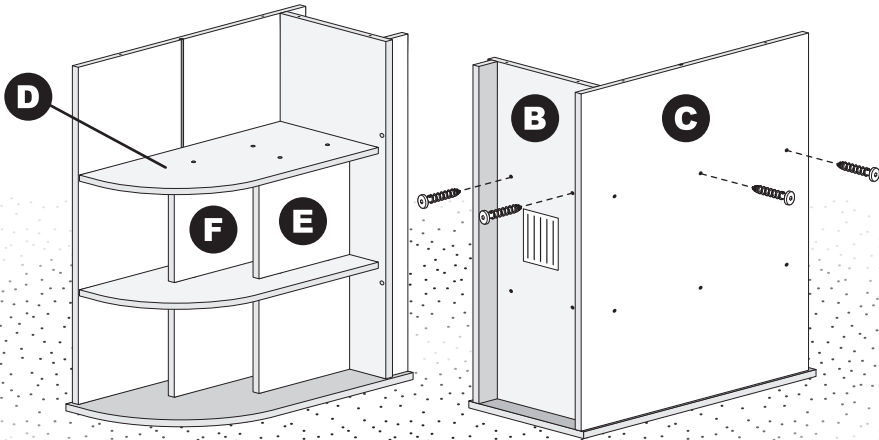


See Next Page

6 Repeat Step 4

Insert the pre-installed wooden dowels on the **Front/Rear Dividers (E/F)** into the corresponding holes on the side of a **Curved Divider (D)**.

Install the **Curved Divider (D)** onto the **Bottom Panel (B)** and **Back Panel (C)** with four **Decorative Hex Screws (I)** using the Hex Tool.

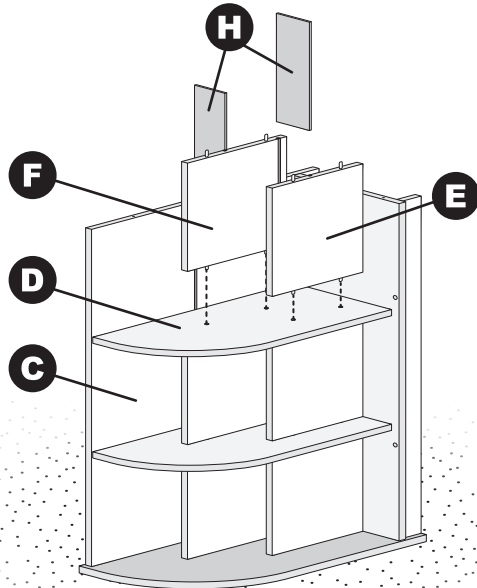


7 Repeat Step 5

Insert the pre-installed wooden dowels on the **Front/Rear Dividers (E/F)** into the corresponding holes on the side of the **Curved Divider (D)**.

Reminder: Make sure the grooves on the Dividers align with each other and the Back Panel.

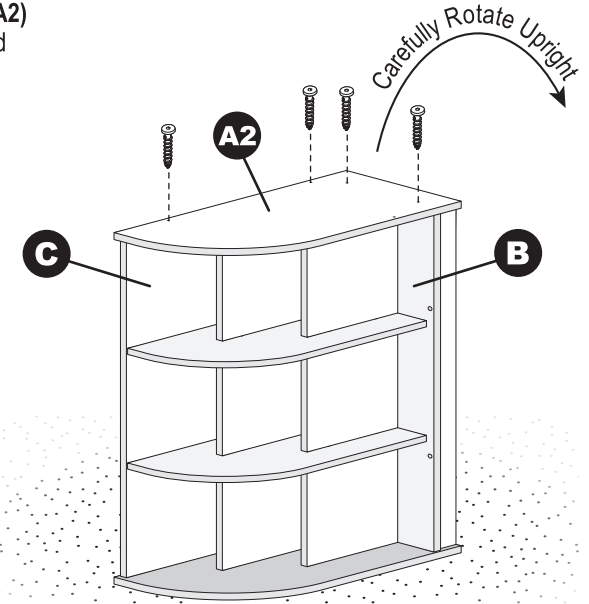
Slide two **Shelves (H)** into the grooves on the **Front/Rear Dividers (E/F)** and **Back Panel (C)** as shown, until fully seated against the side of the **Curved Divider (D)**.



8 Install the Right Side Panel

Install the **Right Side Panel (A2)** onto the **Bottom Shelf (B)** and **Back Panel (C)** with four **Decorative Hex Screws (I)** using the Hex Tool.

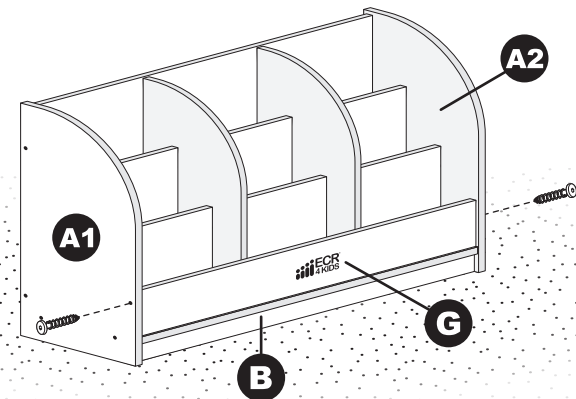
Two Adults Recommended:
Carefully rotate upright.



9 Install Front Panel

Insert the pre-installed wooden dowels on the bottom of the **Front Panel (G)** into the corresponding holes on the topside of a **Bottom Panel (B)**.

Install the **Front Panel (G)** onto the **Left & Right Side Panels (A1/A2)** with two **Decorative Hex Screws (I)** using the Hex Tool.



See Next Page



We appreciate your purchase of the CE Single-Sided Book Stand - Toddler. ECR4KIDS has made every effort to supply a quality product that with proper use and care, will provide many years of trouble-free use.

If you experience any difficulties with this product, please email us at **ecrcs@ecr4kids.com** or call toll-free at (855) ECR-4KIDS (Monday - Friday, 7:00am - 4:00pm Pacific Standard Time)

Please do not return to place of purchase as ECR4KIDS will replace defective part(s) and/or product.

Warranty: Visit our website for product specific warranty information at:
www.ecr4kids.com

Care and Cleaning

Clean unit with a damp cloth or sponge using warm water and mild soap. Wipe dry.

Do not place near heat, moisture or vaporizer which may cause panels to warp and peel.

Check for loose or worn parts periodically and tighten or replace as necessary.

**Record the manufacture date here.
Information is located on the Batch ID
sticker and on the shipping carton.
Save this sheet in an accessible place.**

Model Number: ELR-0721-A

Factory Code: EG

Manufacture Date: _____

Batch ID Number: _____
(Located on Part B)