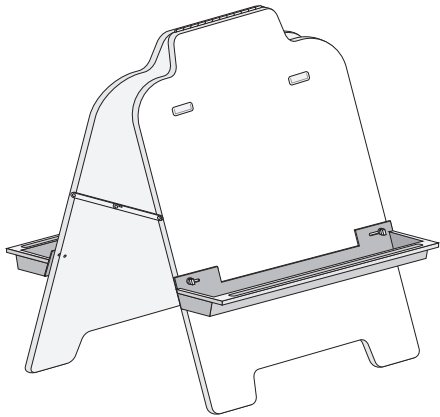


**First Responder Art Easel**  
 Model# C-0732-1, C-0733-1



**⚠ WARNING:**

**Adult Assembly Required.**

Two adults recommended.

- Contains small parts, sharp points and edges.
- Do not stand, sit, kneel, climb, lean or pull on unit for support.
- Never leave children unattended.
- Do not place unit near high heat or moisture.
- Adult supervision recommended.

**TOOLS INCLUDED**

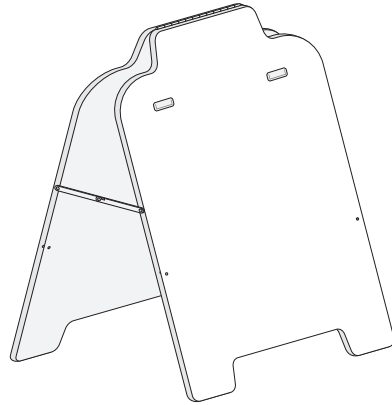
- Hex Tool (1)



**Parts List**

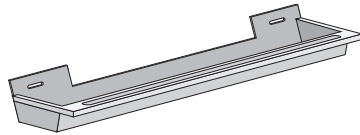
BEFORE ASSEMBLING, MAKE SURE YOU HAVE ALL THE PARTS

**A** Easel (1)

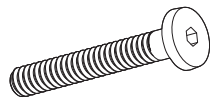


Batch ID Sticker located on inside

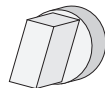
**B** Trays (2)



**C** Hex Screws & Plastic Nuts (4/4)



C1

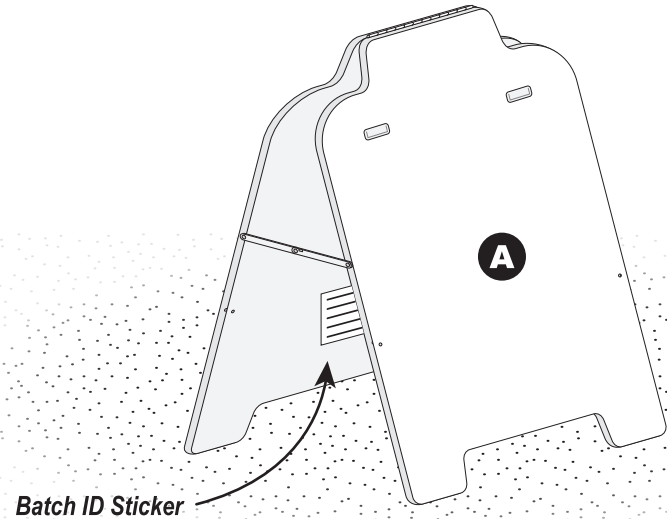


C2

Use the Hex Tool

**1 Open the Easel & Lock the Hinge**

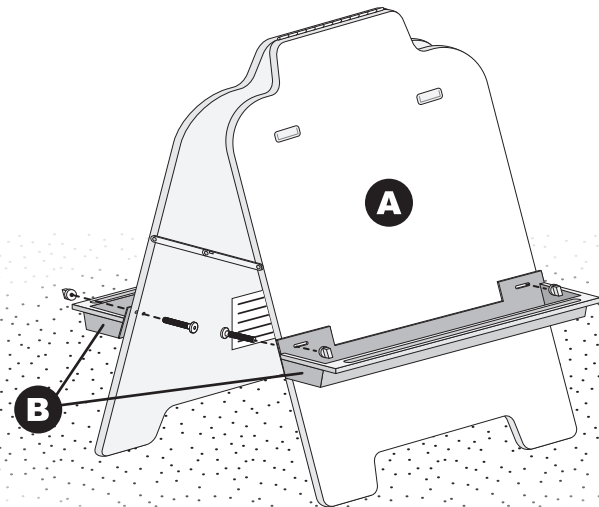
Open the Easel (A) completely and secure the hinge into the locked position.



**2 Install the Trays**

Install both Trays (B) onto the Easel (A) with two Hex Screws & Plastic Nuts (C1/C2) as shown.

*Reminder: Do not overtighten, as the plastic threads can be stripped.*



See Next Page



We appreciate your purchase of the First Responder Art Easel. ECR4KIDS® has made every effort to supply a quality product that with proper use and care, will provide many years of trouble-free use.

If you experience any difficulties with this product, please email us at [ecrcs@ecr4kids.com](mailto:ecrcs@ecr4kids.com) or call toll-free at (855) ECR-4KIDS (Monday - Friday, 7:00am - 4:00pm Pacific Standard Time)

**Please do not return** to place of purchase as ECR4KIDS® will replace defective part(s) and/or product.



ECR4KIDS® guarantees the quality of all our products. You can trust the quality and safety of our furniture and materials, along with the peace of mind that our products are made to last. If for any reason you are not satisfied with the quality or workmanship of our products, we will replace the item or refund the sale.

#### **Care and Cleaning**

Clean unit with a damp cloth or sponge using warm water and mild soap. Wipe dry.

Do not place near heat, moisture or vaporizer which may cause panels to warp and peel.

Check for loose or worn parts periodically and tighten or replace as necessary.

**Record the manufacture date here.**  
**Information is located on the Batch ID sticker and on the shipping carton.**  
**Save this sheet in an accessible place.**

**Model Number:** C-0732-1, C-0733-1  
(circle one)

**Factory Code:**   D  

**Manufacture Date:** \_\_\_\_\_

**Batch ID Number:** \_\_\_\_\_  
(Located on Part A)