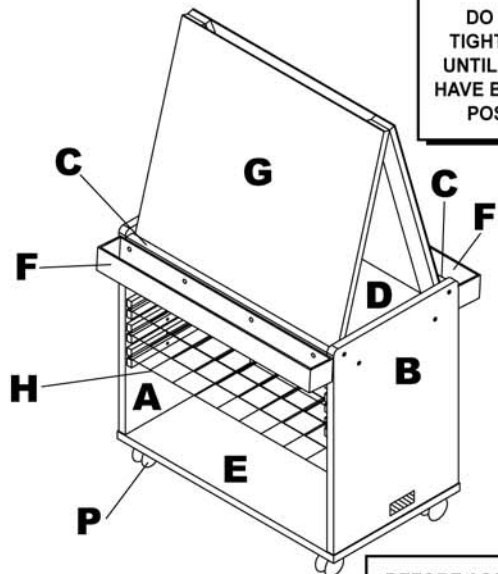


2-Station Easel with Drying Rack

Model ELR-0735

TIP!
DO NOT FULLY
TIGHTEN SCREWS
UNTIL ALL SCREWS
HAVE BEEN LOOSELY
POSITIONED.



PARTS LIST

- (A) Left Side Panel (no logo)
- (B) Right Side Panel (w/ logo)
- (C) Washboard(2)
- (D) Top Shelf
- (E) Bottom Shelf
- (F) Easel Tray(2)
- (G) Palette
- (H) Drying Rack Shelf(3)
- (I) Round Head Screw(4)
- (J) Hex Head Screw(4)
- (K) Wooden Dowel(4)
- (L) Cam(4)
- (M) Metal Dowel(4)
- (N) Tray Screw, Post & Washer(8)
- (O) Palette Screw(4)
- (P) Wheel Caster(4) *Optional
- (Q) Caster Screw(16)
- (R) Hex Key Tool
- (S) Phillips Head Screwdriver

NOTE:

A Phillips Head Screwdriver
will be needed for
assembly (not included)



**BEFORE ASSEMBLING,
MAKE SURE THERE
ARE NO
MISSING PARTS.**

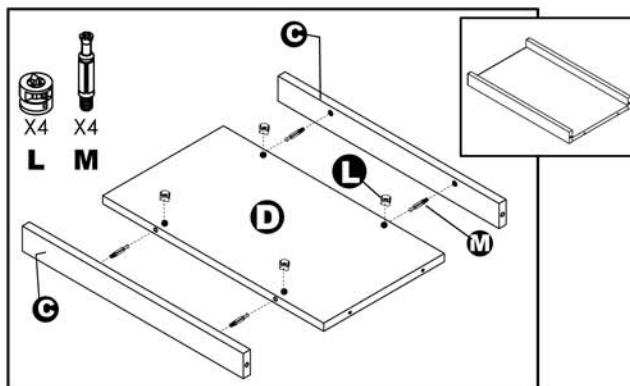
WARNING:

- **Adult Assembly Required.** Two adults recommended.
- Contains small parts, sharp points and edges.
- Do not stand, sit, kneel, climb, lean or pull on unit for support.
- Never leave children unattended.
- Do not place unit near high heat or moisture.
- Adult Supervision Recommended.

If you experience any difficulties with this product, please email us at customerservice@ecr4kids.com or call toll-free at (888) 227-9028 (Mon. through Fri., 8:00am to 4:00pm Eastern Standard Time)

Please do not return to place of purchase as Early Childhood Resources will replace defective part(s) and/or product.

1 Attach the Washboards to the Top Shelf

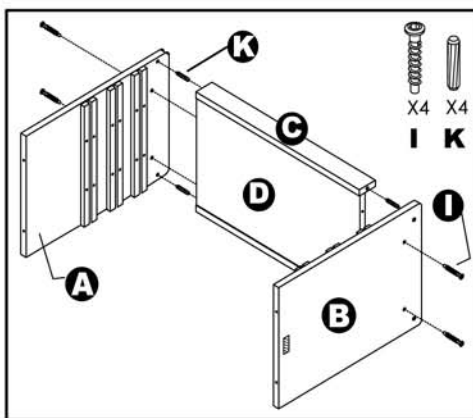


1A. Insert 4 Metal Dowels(M) into the plastic plugs located inside the 2 Washboards(C). Tighten with a Philips Screwdriver.

1B. On a carpet or protected surface, place the Top Shelf(D) face down. Insert 4 Cams(L) into the large holes located in the Top Shelf(D) as shown. Make sure the arrows on Cams(L) point toward the holes in the closest edge.

1C. Position the Washboards(C) so the attached Metal Dowels(M) enter the holes in the Top Shelf(D). Turn Cams(L) with the Hex Key Tool(R) until locked onto the Metal Dowels(M).

2 Attach the Side Panels to the Top Shelf Section



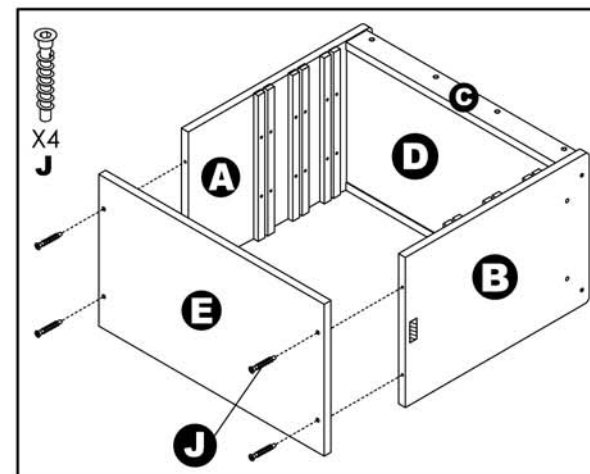
2A. Insert 4 Wooden Dowels(K) into the Left Side Panel(A) and Right Side Panel(B).

2B. Position the Left Side Panel(A) and Right Side Panel(B) so the attached Wooden Dowels(K) enter the holes in the edge of the Washboards(C).

2C. Secure the Left Side Panel(A) and Right Side Panel(B) to the Top Shelf Section(C,D) using 4 Round Head Screws(I). Tighten with the Hex Key Tool(R).

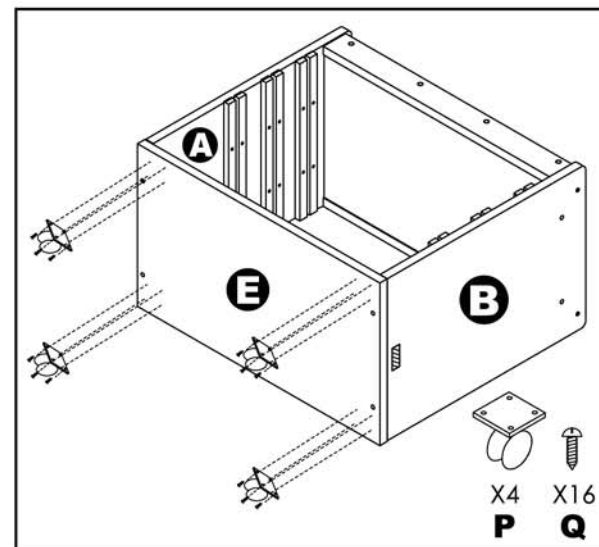
3 Attach the Bottom Shelf

3. Attach the Bottom Shelf(C) to the the Left Side Panel(A) and the Right Side Panel(B) using 4 Hex Head Screws(J). Tighten with the Hex Key Tool(R).



4 Attach the Wheel Casters (Optional)

4. Attach 4 Wheel Casters(P) to the bottom of Bottom Shelf(E) using 16 Caster Screws(Q). Tighten with the Phillips Screwdriver.

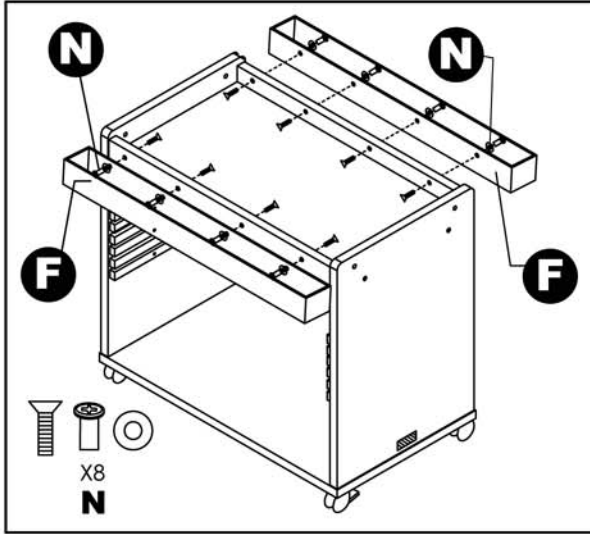


5 Attach the Easel Trays

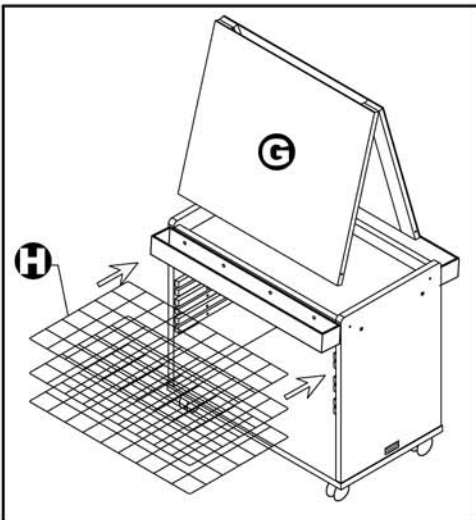
5A. **Two Adults Recommended:** Carefully turn the unit upright.

5B. To attach 2 Easel Trays(F) to the outside of the Washboards(C) using 8 Tray Screws, Posts & Washers(N):

Place the Washer on the Post, then insert into the hole located inside Easel Tray(F). Position Easel Tray(F) so the Post and Washer enter the hole on the outside of Washboard(C). Insert the Tray Screw(N) into the hole on the inside of Washboard(C), as shown. Tighten with a Phillips Head Screwdriver. Repeat for the remaining Tray Screws, Posts & Washers(N).



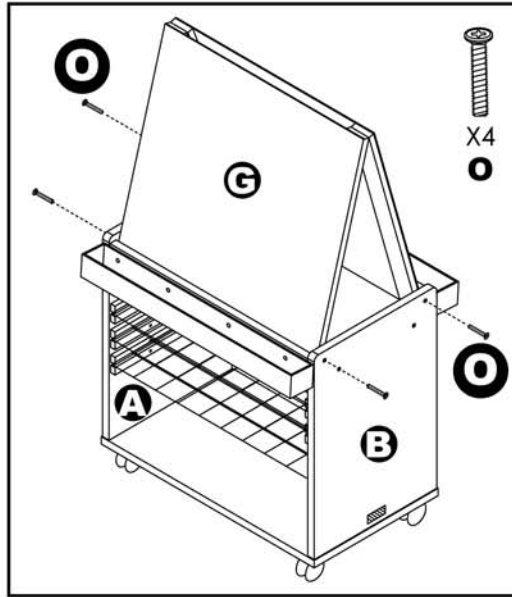
6 Attach the Palette and Drying Rack Shelves



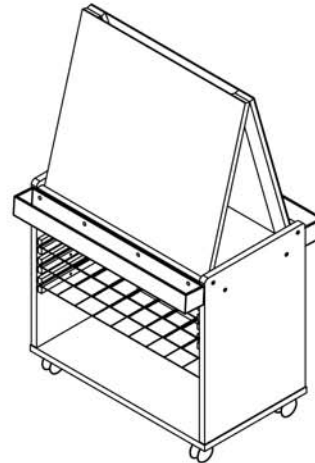
6A. Insert the 3 Drying Rack Shelves(H) into the brackets inside the Side Panels(A,B) as shown.

6B. Place the Palette(G) on top of the Top Shelf(D) so the sides are fully extended inside the 2 Washboards(C).

6C. Insert 4 Palette Screws(O) through the holes at the top of the Left Side Panel(A) and Right Side Panel(B) and into the side of the Palette(G) as shown. Tighten with the Hex Key Tool(R).



8 You are done!



CAUTION:

- Do not allow children to climb on unit.
- Do not use as a ladder or cart.
- Adult Supervision Required.

**Early Childhood
RESOURCES**

We appreciate your purchase of the 2-Station Easel with Drying Rack. Early Childhood Resources® has made every effort to supply a quality product, that with proper use and care, will bring you many years of trouble free use!

Care and Cleaning

Clean wood with a damp cloth or sponge using warm water and mild soap. Wipe dry.

Do not place near heat, moisture or vaporizer which may cause wood to warp and peel.

Check for loose or worn parts periodically and tighten or replace as necessary.



"Early Childhood Resources® guarantees the quality of all of our products. You can trust the quality and safety of our furniture and materials, along with the peace of mind that our products are made to last. If for any reason, you are not satisfied with the quality and workmanship of our products, we will replace the item or refund the sale."

Record the manufacture date here. Information is located on a label enclosed, and on the shipping carton. Place label and this sheet in an accessible place.

Model Number: **ELR-0735**

Manufacture Date: _____

Purchase Order Number: _____