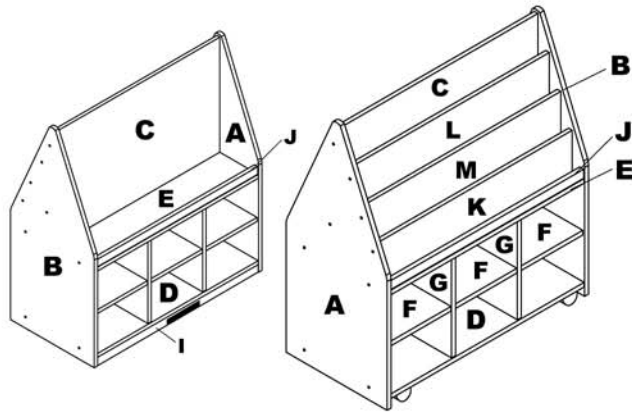


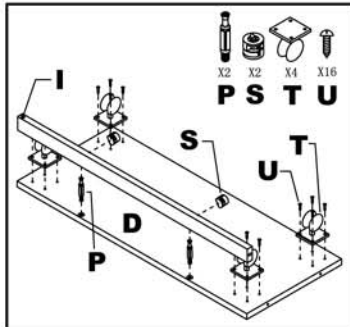
**Book Display Storage  
with Magnetic Dry-Erase  
Model # ELR-0738**



**BEFORE ASSEMBLING,  
MAKE SURE THERE  
ARE NO  
MISSING PARTS.**

**TIP!  
DO NOT FULLY  
TIGHTEN SCREWS  
UNTIL ALL SCREWS  
HAVE BEEN LOOSELY  
POSITIONED.**

**1 Attach the Baffles and Washboard**

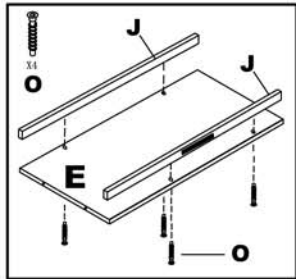


1A. Insert 2 Metal Dowels(P) into the plastic plugs in Bottom Shelf(D). Tighten with a Phillips Screwdriver.

1B. Insert 2 Cams(S) into the Washboard(I). Make sure arrows on Cams(S) point toward the holes in the closest edge.

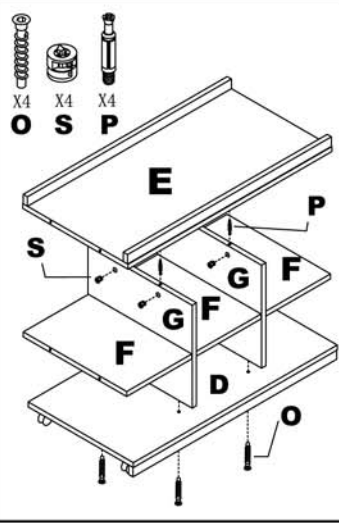
1C. Position the Washboard(I) so the Metal Dowels(P) attached to Bottom Shelf(D) enter holes as shown. Turn Cams(S) with a Phillips Screwdriver until locked onto the Metal Dowels(P).

1D. Attach 4 Wheel Casters(T) to Bottom Shelf(D) using 16 Caster Screws(U). Tighten with a Phillips Screwdriver.



1E. Secure 2 Baffles(J) to Upper Middle Shelf(E) using 4 Hex Head Screws(O). Tighten with the Hex Key Tool(Q).

**3 Assemble the Base**



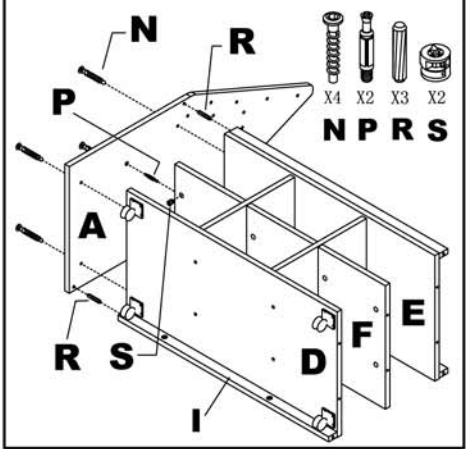
3A. Attach the Base(D,I) to the Divider Section(F,G) using 4 Hex Head Screws(O). Tighten with the Hex Key Tool(Q).

3B. Insert 4 Metal Dowels(P) into the plastic plugs located underneath the Upper Middle Shelf(E). Tighten with the Phillips Screwdriver.

3C. Insert 4 Cams(S) into the 2 Lower Dividers(G) as shown. Make sure the arrows on Cams(S) point toward holes in the closest edge.

3D. Position the Upper Middle Shelf(E) so the attached Metal Dowels(P) enter the holes in the top of the Lower Dividers(G) as shown. Turn Cams(S) with a Phillips Screwdriver until locked onto the Metal Dowels(P).

**4 Attach the Left Side Panel**



4A. Insert 3 Wooden Dowels(R) into Left Side Panel(A) as shown. Then, insert 2 Metal Dowels(P) into the plastic plugs in Left Side Panel(A). Tighten with a Phillips Screwdriver.

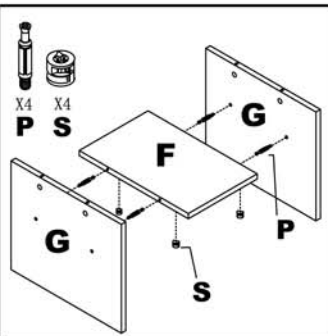
4B. Insert 2 Cams(S) into the Lower Middle Shelf(F). Make sure the arrows on Cams(S) point toward holes in the closest edge.

4C. Position the Left Side Panel(A) so the attached Wooden(R) and Metal Dowels(P) enter holes in the Base(F,I,J). Turn Cams(S) with a Phillips Head Screwdriver until locked onto the Metal Dowels(P).

4D. Secure the Left Side Panel to the Base(D,E) using 4 Round Head Screws(N). Tighten with the Hex Key Tool(Q).

**2 Assemble the Bottom Divider Section**

2A. Insert 4 Metal Dowels(P) into the plastic plugs located in the Lower Dividers(G). Tighten with a Phillips Screwdriver.



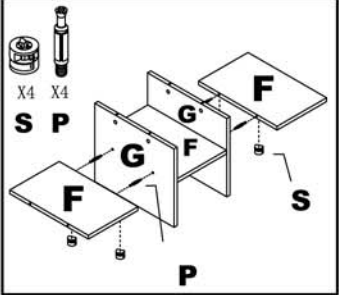
2B. Insert 4 Cams(S) into a Lower Middle Shelf(F). Make sure the arrows on Cams(S) point toward the holes in the closest edge.

2C. Position the Lower Dividers(G) so the attached Metal Dowels(P) enter holes in the Lower Middle Shelf(F). Turn Cams(S) with a Phillips Screwdriver until locked onto the Metal Dowels(P).

2D. Insert 4 Metal Dowels(P) into the plastic plugs on 2 Lower Dividers(G). Tighten with a Phillips Screwdriver.

2E. Insert 4 Cams(S) into 2 Lower Middle Shelves(F). Make sure the arrows on Cams(S) point toward the holes in closest edge.

2F. Position the 2 Lower Middle Shelves(F) so the attached Metal Dowels(P) enter holes as shown. Turn Cams(S) with a Phillips Screwdriver until locked onto the Metal Dowels(P).



**PARTS LIST**

- A Left Side Panel
  - B Right Side Panel
  - C Center Panel
  - D Bottom Shelf
  - E Upper Middle Shelf
  - F Lower Middle Shelf(3)
  - G Lower Divider(2)
  - H Top Shelf(2)
  - I Washboard
  - J Baffle(2)
  - K Front Divider
  - L Top Divider
  - M Middle Divider
  - N Round Head Screw(18)
  - O Hex Head Screw(8)
  - P Metal Dowel(18)
  - Q Hex Key Tool
  - R Wood Dowel(12)
  - S Cam(18)
  - T Wheel Casters\*(4)
  - U Caster Screw\*(16)
- \*Optional

**NOTE:**  
A Phillips Head Screwdriver will be needed for Assembly (not included)

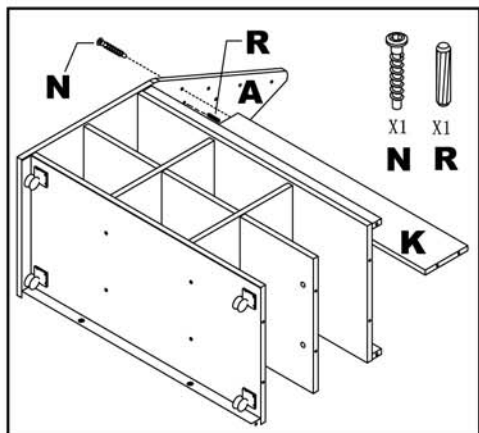
**WARNING:**

- Adult Assembly Required. Two adults recommended.
- Contains small parts, sharp points and edges.
- Do not stand, sit, kneel, climb, lean or pull on unit for support.
- Never leave children unattended.
- Do not place unit near high heat or moisture.
- Adult Supervision Recommended.

If you experience any difficulties with this product, please email us at [customerservice@ecr4kids.com](mailto:customerservice@ecr4kids.com) or call toll-free at (888) 227-9028 (Mon. through Fri., 8:00am to 4:00pm Eastern Standard Time)

**Please do not return to place of purchase as Early Childhood Resources will replace defective part(s) and/or product.**

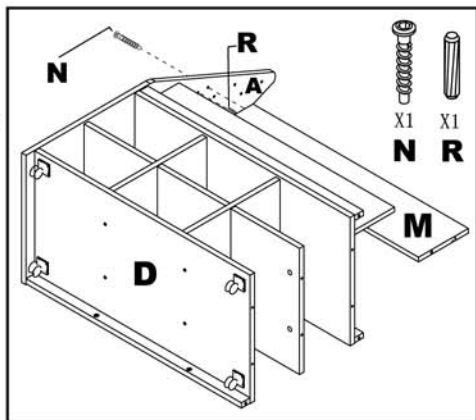
## 5 Attach the Top and Middle Dividers



5A. Insert a Wooden Dowel(R) into Front Divider(K). Position Front Divider(K) so the attached Wooden Dowel(R) enters the hole in the Left Side Panel(A).

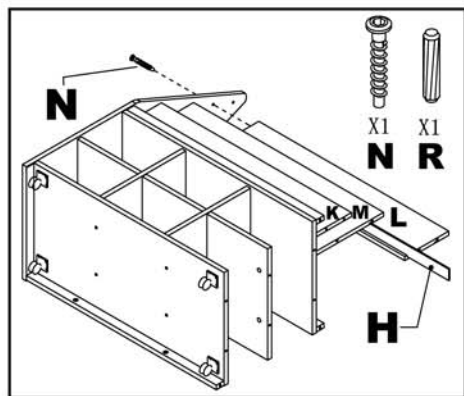
5B. Attach the Front Divider(K) to the Left Side Panel(A) using a Round Head Screw(N). Tighten with the Hex Key Tool(Q).

5C. Repeat Steps 5A and 5B to attach Middle Divider(M) as shown.

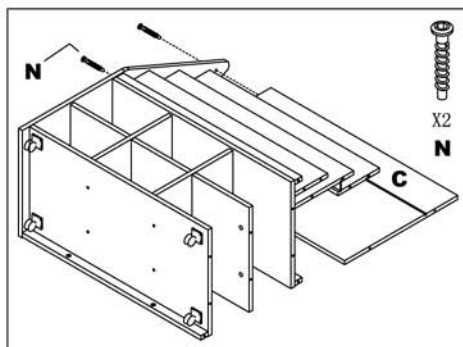


5E. Repeat Steps 5A and 5B to attach the Top Divider(L), as shown.

5F. Insert Top Shelf(H) into the grooves between the Middle(M) and Top Dividers(L), until fully inserted into the slot.

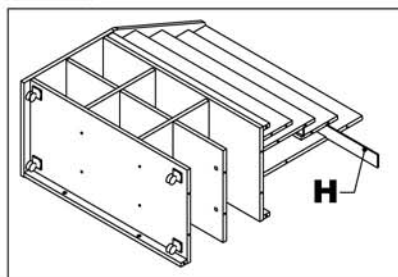


## 6 Attach the Center Panel



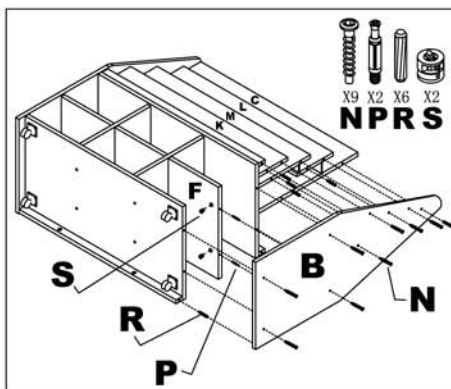
6. Attach Center Panel(C) to the Left Side Panel(D) using 2 Round Head Screws. Tighten with the Hex Key Tool(Q).

## 7 Insert the Top Shelves



7. Insert the last Top Shelf(H) into the grooves between Center Panel(C) and Top Divider(L) until fully inserted into the slot.

## 8 Attach the Right Side Panel



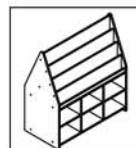
8A. Insert 6 Wooden Dowels(R) into Right Side Panel(B). Insert 2 Metal Dowels(P) into plastic plugs in Right Side Panel(B). Tighten with a Phillips Screwdriver.

8B. Insert 2 Cams(S) into the Lower Middle Shelf(F). Make sure arrows on Cams(S) point toward holes in the closest edge.

8C. Position the Right Side Panel(B) so the attached Wooden(R) and Metal Dowels(P) enter holes in the unit as shown.

8D. Secure Right Side Panel(B) to the unit using 9 Round Head Screws(N). Tighten with the Hex Key Tool(Q).

## 9 You are done!



### CAUTION:

- Do not allow children to climb on shelves.
- Do not use as a ladder, seat or cart.

**Early Childhood  
RESOURCES**

We appreciate your purchase of the Book Display Storage with Magnetic Dry-Erase. Early Childhood Resources® has made every effort to supply a quality product, that with proper use and care, will bring you many years of trouble free use!

### Care and Cleaning

Clean wood with a damp cloth or sponge using warm water and mild soap. Wipe dry.

Do not place near heat, moisture or vaporizer as it may cause wood to warp and peel.

Check for loose or worn parts periodically, and tighten or replace as necessary.



"Early Childhood Resources® guarantees the quality of all of our products. You can trust the quality and safety of our furniture and materials, along with the peace of mind that our products are made to last. If for any reason, you are not satisfied with the quality and workmanship of our products, we will replace the item or refund the sale."

Record the Purchase Order Number here. Information is located on a label enclosed, and on the shipping carton. Place label and this sheet in an accessible place.

Model Number: **ELR-0738**

Purchase Order Number: \_\_\_\_\_