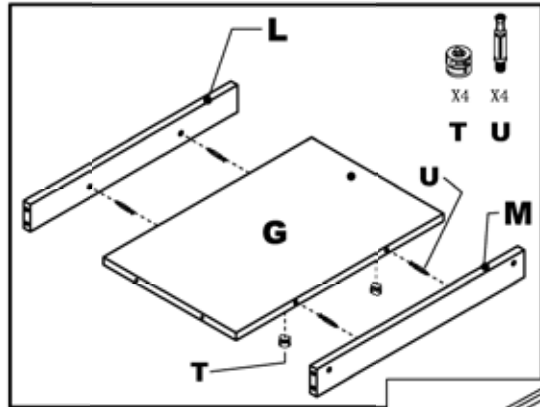


1 Attach the Baffles to the Top Shelf

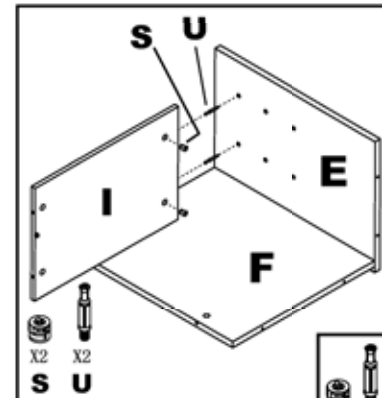


1A. Insert 4 Metal Dowels(U) into the plastic plugs on the Front and Rear Baffles(M,L). Tighten with a Phillips Head Screwdriver.

1B. Insert 4 Big Cams(T) into Top Shelf(G). Make sure arrows on the Big Cams(T) point toward holes in the closest edge.

1C. Position the Front and Rear Baffles(M,L) so the attached Metal Dowels(U) enter holes on Top Shelf(G). Turn Big Cams(T) with the Hex Key Tool(Y) until locked onto the Metal Dowels(U).

3 Attach the Right Dividers

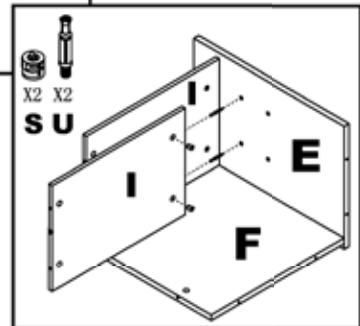


3A. Insert 2 Metal Dowels(U) into the plastic plugs located in Bottom Shelf(E). Tighten with a Phillips Screwdriver.

3B. Insert 2 Small Cams(S) into each Right Divider(I). Make sure the arrows on Cams(S) point toward the holes in closest edge.

3C. Position the second Right Divider(I) so the Metal Dowels(U) enter holes in Divider(I). Turn Cams(S) with the Hex Key Tool(Y) until locked onto Metal Dowels(U).

3D. Repeat Steps 3A to 3C to attach the other Divider(I).



BEFORE ASSEMBLING, MAKE SURE THERE ARE NO MISSING PARTS.

TIP!
 DO NOT FULLY TIGHTEN SCREWS UNTIL ALL SCREWS HAVE BEEN LOOSELY POSITIONED.

PARTS LIST

- A Top Left Side Panel
- B Top Right Side Panel
- C Lower Left Side Panel
- D Lower Right Side Panel
- E Bottom Shelf
- F Activity Board Panel
- G Top Shelf
- H Middle Divider
- I Right Divider(2)
- J Left Divider(2)
- K Middle Shelf
- L Front Baffle
- M Rear Baffle
- N Ledge
- O Top Panel
- P Easel Board
- Q Round Head Screw(16)
- R Hex Head Screw(4)
- S Small Cam(16)
- T Big Cam(20)
- U Metal Dowel(36)
- V Wooden Dowel(8)
- W Wheel Caster(4)
- X Caster Screw(16)
- Y Hex Key Tool
- Z Phillips Screwdriver

NOTE:
 A Phillips Head Screwdriver will be needed for assembly (not included)

WARNING:

- Adult Assembly Required. Two adults recommended.**
- Contains small parts, sharp points and edges.
 - Do not stand, sit, kneel, climb, lean or pull on unit for support.
 - Never leave children unattended.
 - Do not place unit near high heat or moisture.
 - Adult Supervision Recommended.

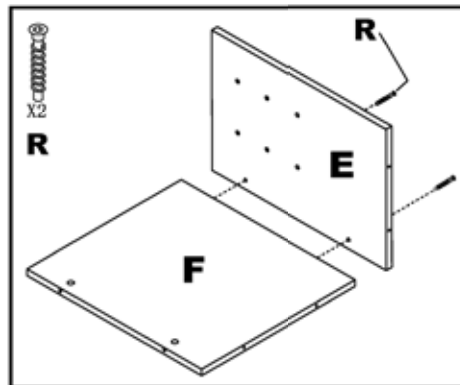
If you experience any difficulties with this product, please contact us toll free at 1-888-227-9028 (Monday through Friday, 9:00am to 5:00pm Eastern Time).

Please do not return to place of purchase as Early Childhood Resources will replace defective parts and/or product.

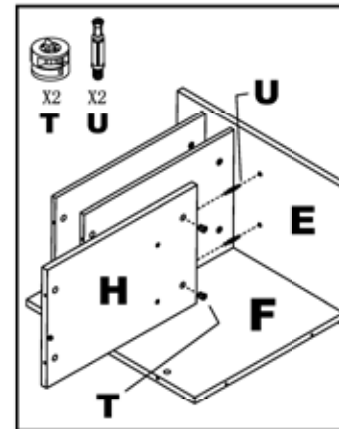
2 Attach the Back to the Bottom Shelf

2A. Carefully place the Activity Board(F) face down on a carpet or protected surface as shown.

2B. Attach the Activity Board(F) to the Bottom Shelf(E) using 2 Hex Head Screws(R). Tighten with Hex Key Tool(Y).



4 Attach the Middle Shelf and Middle Divider

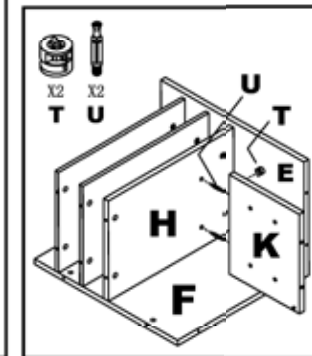


4A. Repeat Steps 3A, 3B and 3C to attach Middle Divider(H).

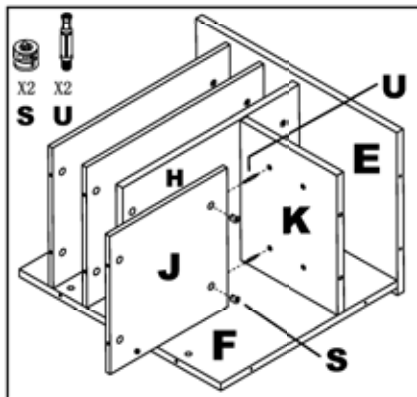
4B. Insert 2 Metal Dowels(U) into the plastic plugs located in the Middle Divider(H). Tighten with a Phillips Screwdriver.

4C. Insert 2 Big Cams(T) into Middle Shelf(K). Make sure arrows on Cams(T) point toward the holes in closest edge.

4D. Position Middle Shelf(K) so that Metal Dowels(U) attached to Middle Divider(H) enter the holes as shown. Turn Cams(T) with the Hex Key Tool(Y) until locked onto Metal Dowels(U).



5 Attach the Left Dividers



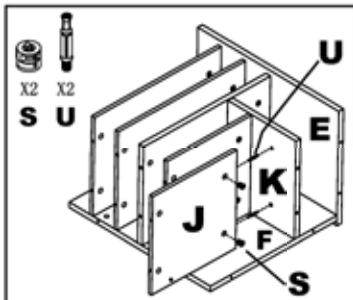
5A. Insert 2 Metal Dowels(U) into the plastic plugs on Middle Shelf(K). Tighten with a Phillips Screwdriver.

5B. Insert 2 Small Cams(S) into Left Divider(J). Make sure arrows on Cams(S) point toward holes in the closest edge.

5C. Position Left Divider(J) so the Metal Dowels(U) attached to Middle Shelf(K) enter the holes on the Left Divider(J) as shown. Turn Cams(S) with Hex Key Tool(Y) until locked onto the Metal Dowels(U).

5D. Repeat Steps 5A, 5B and 5C to attach the second Left Divider(J).

5E. **Two Adults Recommended:** Carefully turn the unit upright to stand on Bottom Shelf(E).

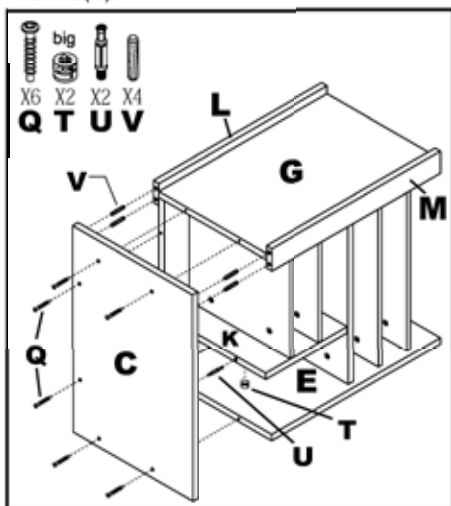


7 Attach the Left Side Panel

7A. Insert 4 Wooden Dowels(V) into Left Side Panel(C), then insert 2 Metal Dowels(U) into plastic plugs on Left Side Panel(C). Tighten with a Phillips Head Screwdriver.

7B. Insert 2 Big Cams(T) into the underside of Middle Shelf(K). Make sure arrows on Cams(T) point toward holes in closest edge.

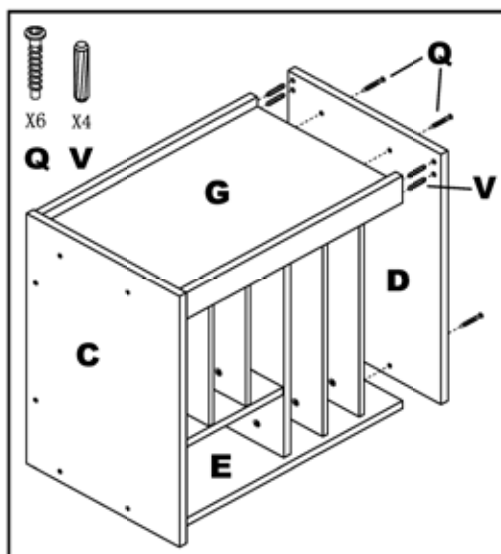
7C. Position the Left Side Panel(C) so the attached Metal(U) and Wooden Dowels(V) enter holes in Top Shelf(G), Baffles(L,M) and Middle Shelf(K). Turn the Big Cams(T) with Hex Key Tool(Y) until locked onto the Metal Dowels(U).



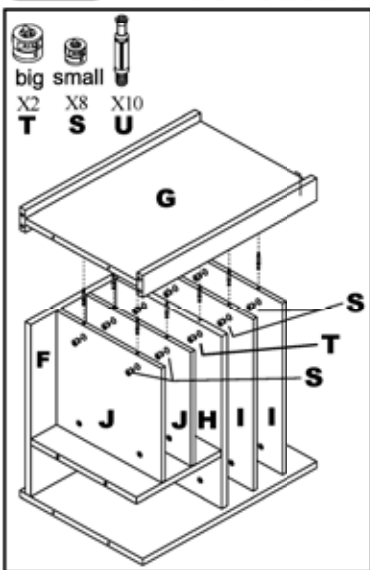
7D. Secure the Left Side Panel(C) to the Top Shelf(G), Activity Panel(F) and Bottom Shelf(E) using 6 Round Head Screws(Q). Tighten with the Hex Key Tool(Y).

8 Attach the Right Side Panel

8. Repeat Steps 7A, 7B, 7C and 7D to attach the Right Side Panel(D).



6 Attach the Top Shelf to the Divider Section

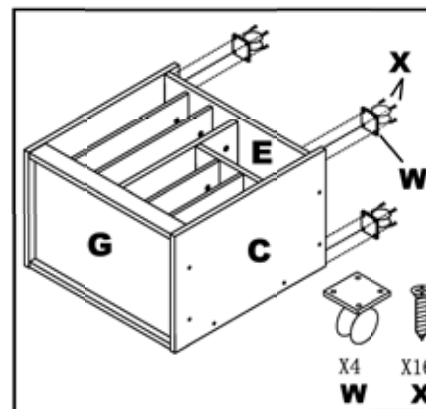


6A. Insert 10 Metal Dowels(U) into the plastic plugs under the Top Shelf(G). Tighten Metal Dowels(U) with a Phillips Head Screwdriver.

6B. Insert 8 Small Cams(S) into the Dividers(J,J,H,I) as shown. Insert 2 Big Cams(T) into the top of Middle Divider(H). Make sure arrows on the Cams(S,T) point toward the holes in the closest edge.

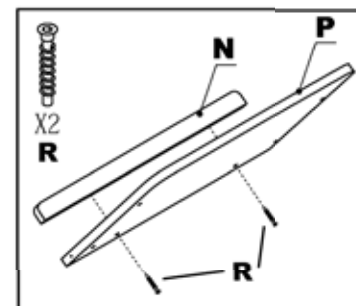
6C. Position Top Shelf(G) so the attached Metal Dowels(U) enter the holes in the top of all the Dividers(J,J,H,I) as shown. Turn Cams(S,T) with the Hex Key Tool(Y) until locked onto Metal Dowels(U).

9 Attach the Wheel Casters



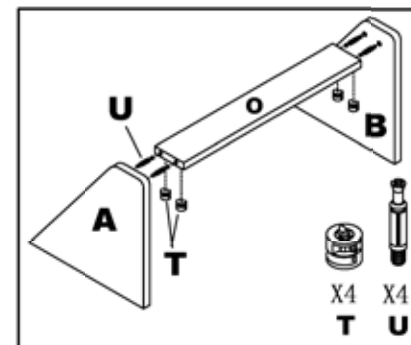
9. Attach 4 Wheel Casters(W) under the Bottom Shelf(E) using 16 Caster Screws (X). Tighten with a Phillips Head Screwdriver.

10 Assemble the Easel Board



10. Attach the Ledge(N) to Easel Board(P) using 2 Hex Head Screws(R). Tighten with the Hex Key Tool(Y).

11 Assemble the Top Section



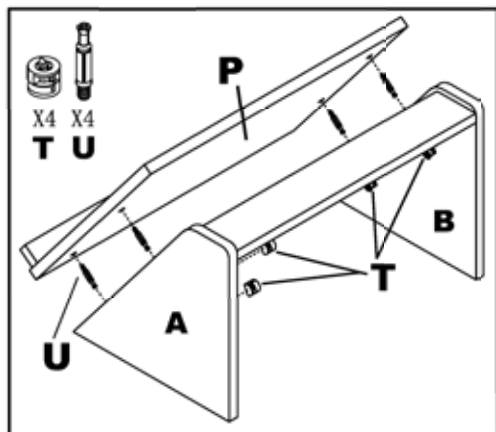
2A. Insert 4 Metal Dowels(U) into the plastic plugs located in Top Left Side Panel(A) and Top Right Side Panel(B) as shown. Tighten with the Phillips Screwdriver.

2B. Insert 4 Big Cams(T) into Top Panel(O). Make sure arrows on Cams(T) point toward holes in closest edge.

2C. Position Top Panel(O) so the Metal Dowels(U) attached to Top Left Side Panel(A) enter the holes as shown. Turn Cams(T) with the Hex Key Tool(Y) until locked onto the Metal Dowels(U).

Repeat to attach the Top Right Side Panel(B).

12 Attach Easel Board to the Top Section

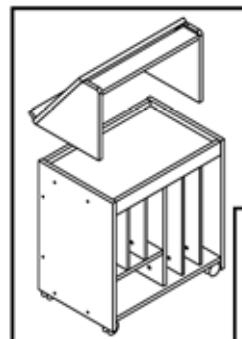


12A. Insert 4 Metal Dowels(U) into the plastic plugs located in Easel Board(P) as shown. Tighten with the Hex Key Tool(Y).

12B. Insert 4 Big Cams(T) into the holes on the inside of Top Left Side Panel(A) and Top Right Side Panel(B). Make sure arrows on Cams(T) point toward the holes in the closest edge.

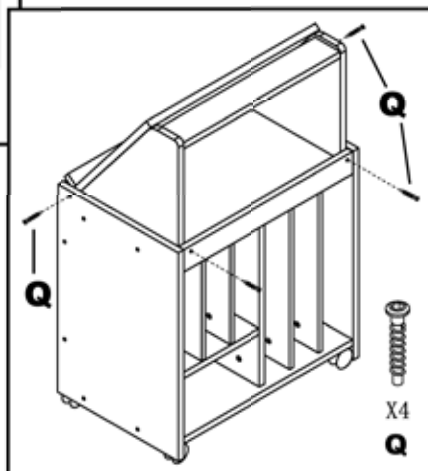
12C. Position the Easel Board(P) so the attached Metal Dowels(U) enter holes in the Top Side Panels (A,B) as shown. Turn Cams(T) with the Hex Key Tool(Y) until locked onto the Metal Dowels(U).

13 Attach the Top Section and Divider Unit

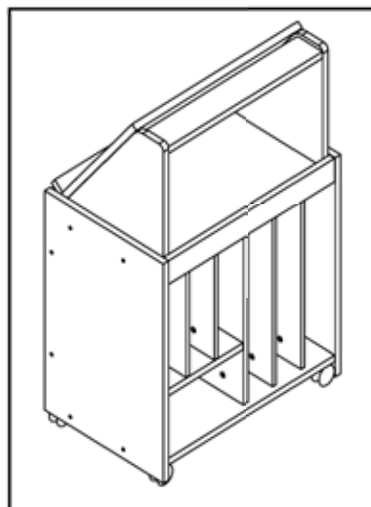


13A. Place the assembled Easel Section to rest on top of the assembled Divider Unit as shown.

13B. Insert 4 Round Head Screws(Q) into the Rear Baffle(M), Left Side Panel(C) and Right Side Panel(D). Tighten with Hex Key Tool(Y).



14 You are done!



! CAUTION:

- Do not allow children to climb on shelves.
- Do not use as a ladder or cart.

Early Childhood RESOURCES

We appreciate your purchase of the Storybook Center with Magnetic Dry-Erase. Early Childhood Resources® has made every effort to supply a quality product, that with proper use and care, will bring you many years of trouble free use!

Care and Cleaning

Clean surfaces with a damp cloth or sponge using warm water and mild soap. Wipe dry.

Do not place near heat, moisture or vaporizer which may cause unit to warp and peel.

Check for loose or worn parts periodically and tighten or replace as necessary.



"Early Childhood Resources® guarantees the quality of all of our products. You can trust the quality and safety of our furniture and materials, along with the peace of mind that our products are made to last. If for any reason, you are not satisfied with the quality and workmanship of our products, we will replace the item or refund the sale."

Record the Purchase Order Number here. Information is located on a label enclosed, and on the shipping carton. Place label and this sheet in an accessible place.

Model Number: **ELR-0740**

Purchase Order Number: _____