

**BEFORE ASSEMBLING,  
MAKE SURE THERE  
ARE NO  
MISSING PARTS.**

**TIP!  
DO NOT FULLY  
TIGHTEN SCREWS  
UNTIL ALL SCREWS  
HAVE BEEN LOOSELY  
POSITIONED.**

**PARTS LIST**

- A** Top Shelf(2)
- B** Upper Panel(2)
- C** Lower Middle Shelf(2)
- D** Upper Middle Shelf(2)
- E** Bottom Shelf(2)
- F** Right Side Panel(2)
- G** Lower Panel(2)
- H** Inner Baffle(2)
- I** Outer Baffle(2)
- J** Lower Divider(2)
- K** Upper Divider(4)
- L** Right Side Panel(2)
- N** Hex Head Screw(24)
- O** Metal Dowel(40)
- P** Cam(40)
- Q** Wooden Dowel(24)
- R** Wheel Caster(8)
- S** Caster Screw(32)
- T** Hex Key Tool

**NOTE:**

A Phillips Head Screwdriver will be needed for assembly (not included)



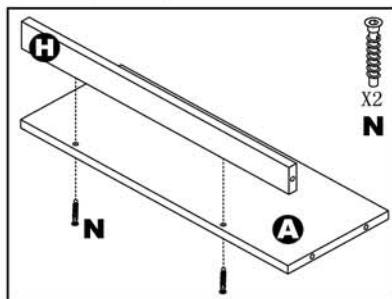
**WARNING:**

- Adult Assembly Required. Two adults recommended.
- Contains small parts, sharp points and edges.
- Adult Supervision Recommended.
- Do not stand, sit, kneel, climb, lean or pull on unit for support.
- Never leave children unattended.
- Do not place unit near high heat or moisture.

If you experience any difficulties with this product, please email us at [customerservice@ecr4kids.com](mailto:customerservice@ecr4kids.com) or call toll-free at (888) 227-9028 (Mon. through Fri., 8:00am to 4:00pm Eastern Standard Time)

Please do not return to place of purchase as Early Childhood Resources will replace defective part(s) and/or product.

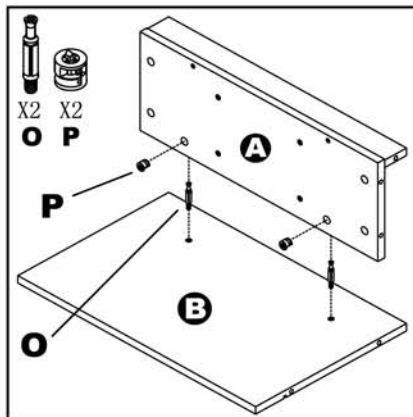
**1 Attach the Inner Baffle to the Top Shelf**



1A. Attach an Inner Baffle(H) to a Top Shelf(A) using 2 Hex Head Screws(N) as shown. Tighten with the Hex Key Tool(R).

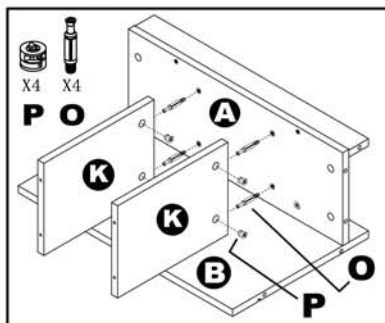
**2 Attach the Top Shelf to the Upper Panel**

2A. On a carpet or protected surface, carefully place Upper Panel(B) so the side with the groove is facing the floor. Insert 2 Metal Dowels(O) into the plastic plugs located in the Upper Panel(B) as shown. Tighten with a Phillips Head Screwdriver.



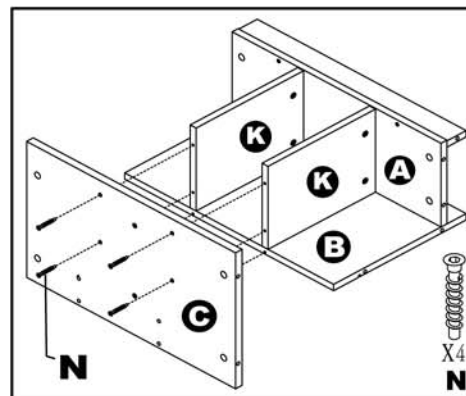
2B. Insert 2 Cams(P) into the Top Shelf(A) as shown. Make sure arrows on Cams(P) point toward holes in closest edge.  
2C. Position the Top Shelf(A) so the Metal Dowels(M) attached to Upper Panel(B) enter the holes in edge as shown. Turn Cams(P) with the Hex Key Tool(T) until locked onto the Metal Dowels(O).

**3 Attach the 2 Upper Dividers**



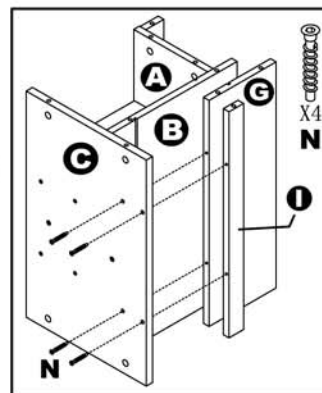
3A. Insert 4 Metal Dowels(O) into the plastic plugs located under Top Shelf(A). Tighten with a Phillips Screwdriver.  
3B. Insert 4 Cams(P) into the 2 Upper Dividers(K). Make sure the arrows on Cams(P) point toward the holes in the closest edge.

3C. Position the 2 Upper Dividers(K) so that Metal Dowels(O) attached to the Top Shelf(A) enter holes in the top edges as shown. Turn Cams(P) with Hex Key Tool(T) until locked onto the Metal Dowels(O).



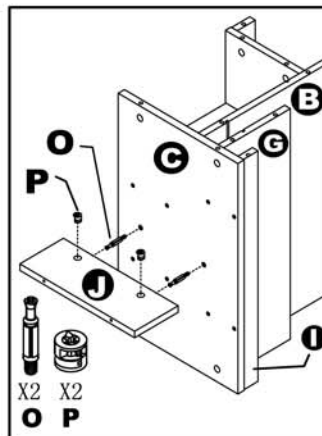
3D. Attach the Lower Middle Shelf(C) to the 2 Upper Dividers(K) and Upper Panel(B) using 4 Hex Head Screws(N). Tighten with the Hex Key Tool(T).

**4 Attach the Lower Panel and Outer Baffle**



4A. Carefully turn the unit onto its side as shown.

Attach Lower Panel(G) and Outer Baffle(I) to Lower Middle Shelf(C) using 4 Hex Head Screws(N). Tighten with the Hex Key Tool(T).

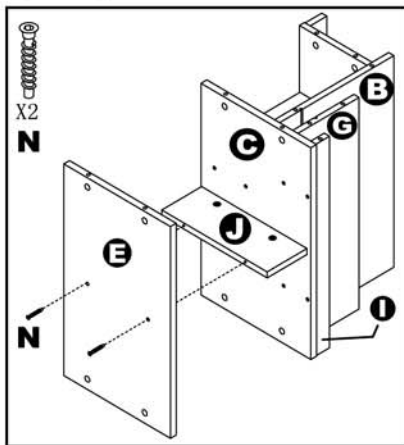


4B. Insert 2 Metal Dowels(O) into the plastic plugs located under the Lower Middle Shelf(C). Tighten with a Phillips Head Screwdriver.

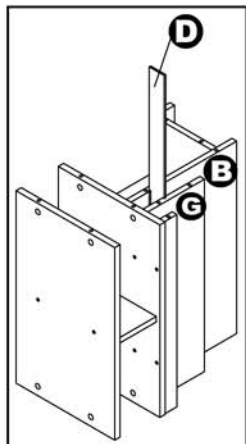
4B. Insert 2 Cams(P) into a Lower Divider(J). Make sure the arrows on Cams(P) point toward the holes in the closest edge.

4C. Position the Lower Divider(J) so the Metal Dowels(O) under the Lower Middle Shelf(C) enter the holes in the top edge of Lower Divider(J). Turn Cams(P) with the Hex Key Tool(T) until locked onto the Metal Dowels(O).

## 5 Attach the Bottom Shelf



5A. Attach Bottom Shelf(E) to Lower Divider(J) using 2 Hex Head Screws(N). Tighten with the Hex Key Tool(T).



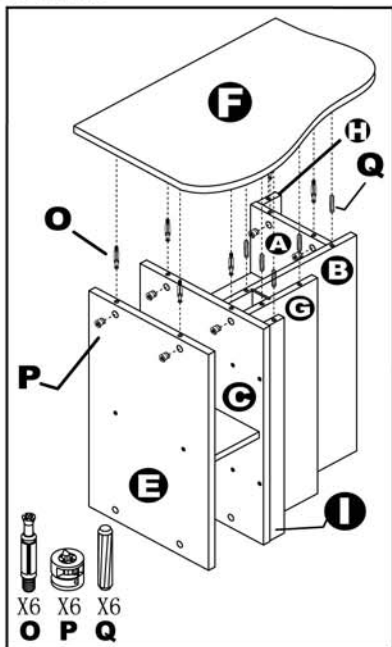
5B. Insert the Upper Middle Shelf(D) into the grooves between the Upper Panel(B) and the Lower Panel(G) until fully inserted into slot.

## 6 Attach the Right Side Panel

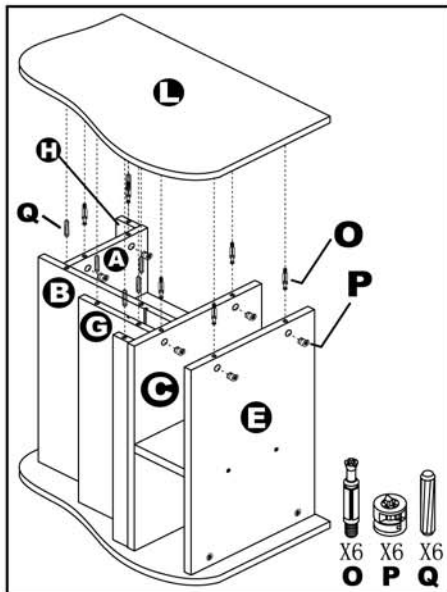
6A. Insert 6 Wooden Dowels(Q) into Right Side Panel(F), then insert 6 Metal Dowels(O) into the plastic plugs located inside Right Side Panel(F). Tighten with a Phillips Head Screwdriver.

6B. Insert 6 Cams(P) into the ends of Top Shelf(A), Lower Middle Shelf(C) and Bottom Shelf(E). Make sure the arrows on Cams(P) point toward holes in the closest edge.

6C. Position the Right Side Panel(F) so the attached Metal(O) and Wooden(Q) Dowels enter the holes as shown. Turn Cams(P) with the Hex Key Tool(T) until locked onto the Metal Dowels(O).



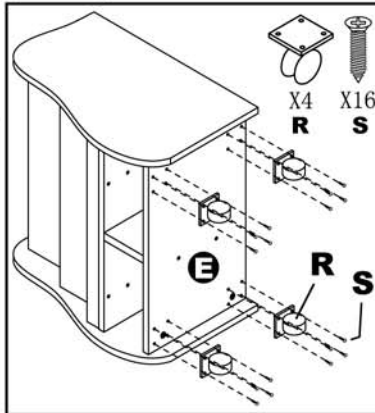
## 7 Attach the Left Side Panel



7A. **Two Adults Suggested:** On a carpet or protected surface, carefully turn the unit onto its Right Side.

7B. Repeat Steps 6A, 6B and 6C to attach the Left Side Panel(L) as shown.

## 8 Attach the Wheel Casters

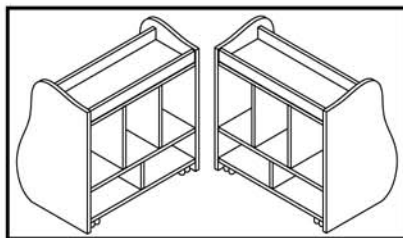


8A. Attach the 4 Wheel Casters(R) under Bottom Shelf(E) using 16 Caster Screws(S). Tighten with the Phillips Screwdriver.

8B. **Two Adults Suggested:** Carefully turn the unit upright.

8C. You're done the first half of the unit! Now, repeat Steps 1 through 8 to assemble the other half of the unit.

## 9 You are done!



## CAUTION:

- Do not allow children to climb on shelves.
- Do not use as a ladder, seat or cart.

**Early Childhood**  
**RESOURCES**

We appreciate your purchase of the Frog Mobile Book Storage Center. Early Childhood Resources® has made every effort to supply a quality product, that with proper use and care, will bring you many years of trouble free use!

### Care and Cleaning

Clean unit with a damp cloth or sponge using warm water and mild soap. Wipe dry.

Do not place near heat, moisture or vaporizer which may cause unit to warp and peel.

Check for loose or worn parts periodically and tighten or replace as necessary.



"Early Childhood Resources® guarantees the quality of all of our products. You can trust the quality and safety of our furniture and materials, along with the peace of mind that our products are made to last. If for any reason, you are not satisfied with the quality and workmanship of our products, we will replace the item or refund the sale."

Record the Purchase Order Number here. Information is located on a label enclosed, and on the shipping carton. Place label and this sheet in an accessible place.

Model Number: **ELR-0742**

Purchase Order Number: \_\_\_\_\_