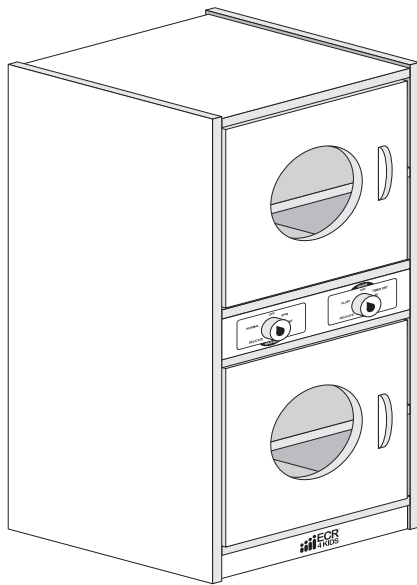


**Colorful Essentials
Play Washer & Dryer
Model# ELR-0744-A**



⚠ WARNING:

Adult Assembly Required.

- Two adults recommended.
- Contains small parts, sharp points and edges.
- Do not stand, sit, kneel, climb, lean or pull on unit for support.
- Never leave children unattended.
- Do not place unit near high heat or moisture.
- Adult supervision recommended.

Parts List

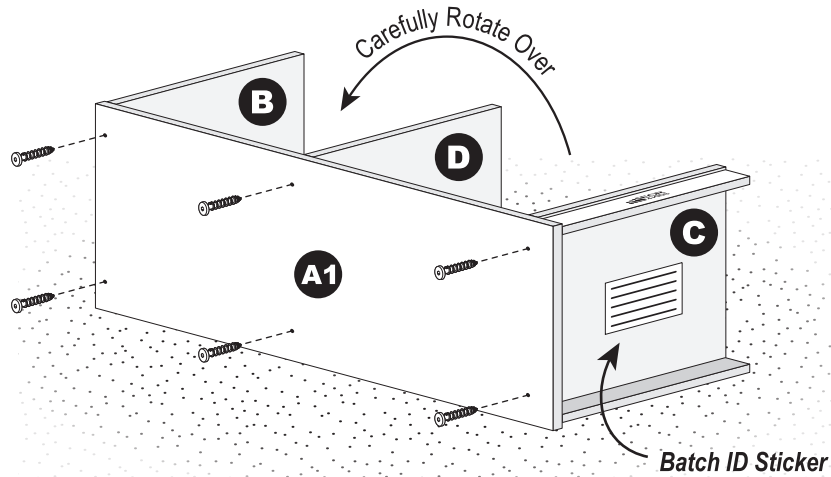
BEFORE ASSEMBLING, MAKE SURE YOU HAVE ALL THE PARTS

<p>A Side Panels (2)</p> <p>A1 A2</p>	<p>D Middle Shelf (1)</p>	<p>H Doors (2)</p>
<p>B Top Panel (1)</p>	<p>E Cross Support (1)</p>	<p>I Upper Back Panel (1)</p>
<p>C Bottom Panel (1)</p>	<p>F Shelves (2)</p>	<p>J Lower Back Panel (1)</p>
<p>TOOLS INCLUDED</p> <ul style="list-style-type: none"> ● Hex Tool (1) <p>TOOLS NEEDED</p> <ul style="list-style-type: none"> ✚ Phillips Screwdriver 		<p>K Hex Screw (12)</p>
		<p>L Phillips Screws (8)</p>

1 Install Left Side Panel to Top/Middle/Bottom Panels

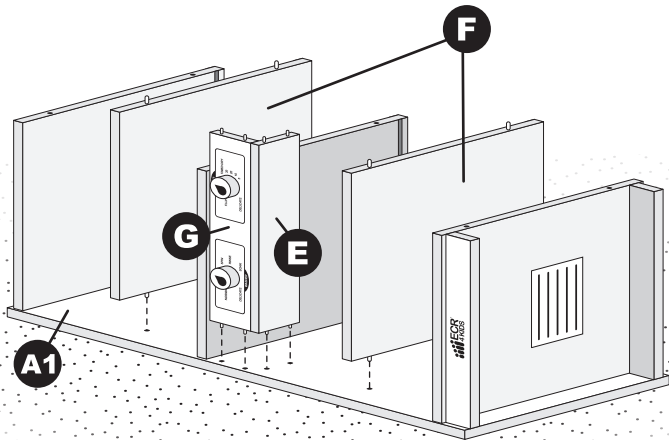
Install the **Left Side Panel (A1)** onto the **Top Panel (B)**, **Middle Shelf (D)** and **Bottom Panel (C)** with six **Hex Screws (K)** using the Hex tool.

Two Adults Recommended: Carefully rotate the onto the **Left Side Panel (A1)**.



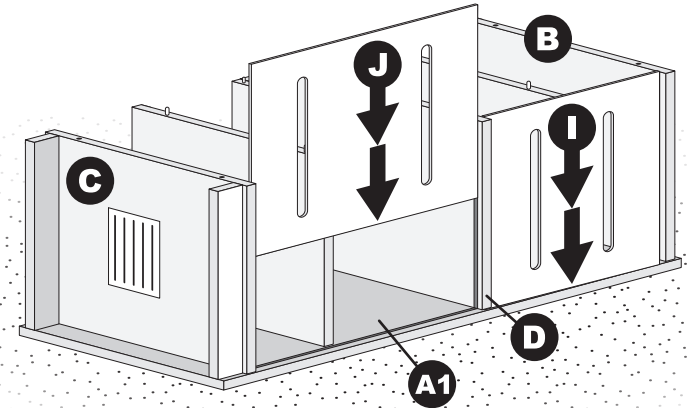
2 Insert the Shelves

Insert the pre-installed wooden dowels on the **Upper/Lower Shelves (F)**, **Front Panel (G)** and **Cross Support (E)** into the corresponding holes on the inside of the **Left Side Panel (A1)**.



3 Slide the Back Panels into place

Slide the **Upper/Lower Back Panels (I/J)** into the grooves on the **Top Panel (B)**, **Middle Shelf (D)** and **Bottom Panel (C)**, until fully seated in the groove on the inside of the **Left Side Panel (A1)**.

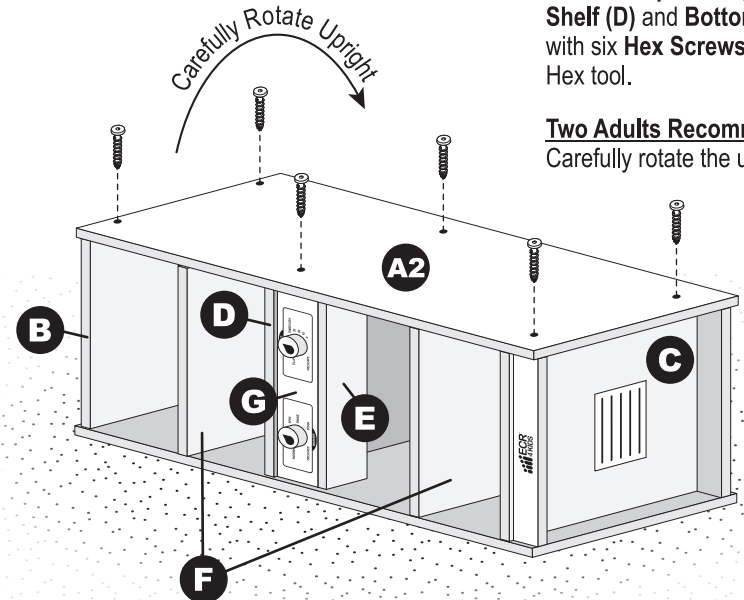


4 Install the Right Side Panel

Insert the pre-installed wooden dowels on the **Upper/Lower Shelves (F)**, **Front Panel (G)** and **Cross Support (E)** into the corresponding holes on the inside of the **Right Side Panel (A2)**.

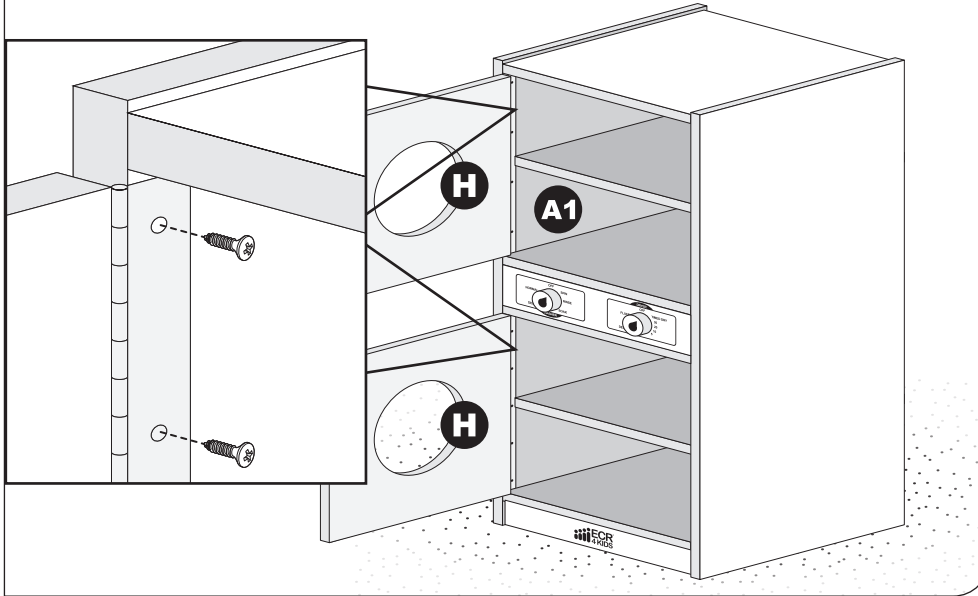
Install the **Right Side Panel (A2)** onto the **Top Panel (B)**, **Middle Shelf (D)** and **Bottom Panel (C)** with six **Hex Screws (K)** using the Hex tool.

Two Adults Recommended: Carefully rotate the unit upright.



5 Install the Door

Install the Upper/Lower **Doors (H)** onto the inside of the **Left Side Panel (A1)** with eight **Phillips Screws (L)** using a Phillips screwdriver.



We appreciate your purchase of the CE Play Washer & Dryer. ECR4KIDS has made every effort to supply a quality product that with proper use and care, will provide many years of trouble-free use.

If you experience any difficulties with this product, please email us at ecrcs@ecr4kids.com or call toll-free at (855) ECR-4KIDS (Monday - Friday, 7:00am - 4:00pm Pacific Standard Time)

Please do not return to place of purchase as ECR4KIDS will replace defective part(s) and/or product.

Warranty: Visit our website for product specific warranty information at: www.ecr4kids.com

Care and Cleaning

Clean unit with a damp cloth or sponge using warm water and mild soap. Wipe dry.

Do not place near heat, moisture or vaporizer which may cause panels to warp and peel.

Check for loose or worn parts periodically and tighten or replace as necessary.

Record the manufacture date here. Information is located on the Batch ID sticker and on the shipping carton. Save this sheet in an accessible place.

Model Number: ELR-0744-A

Factory Code: EG

Manufacture Date: _____

Batch ID Number: _____
(Located on Part C)