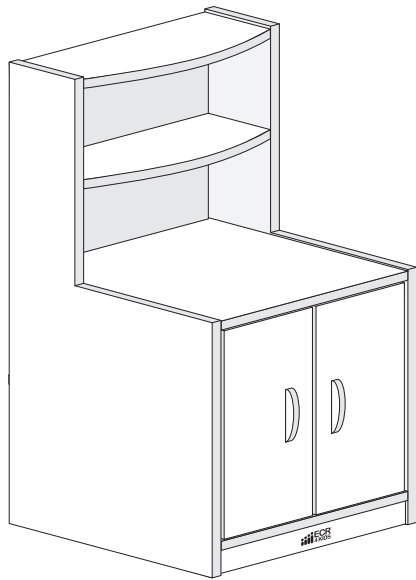
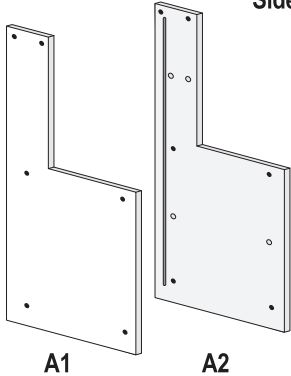
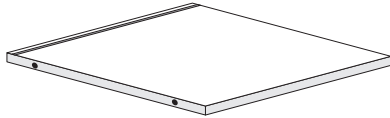
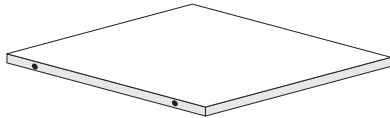
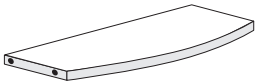
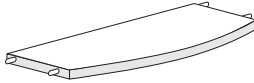
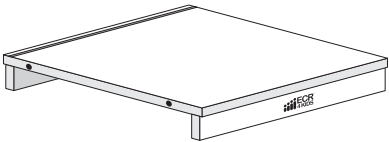
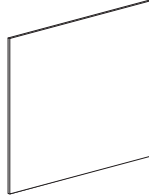
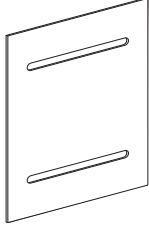
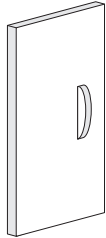
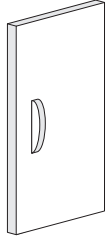
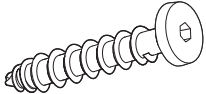
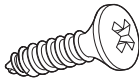
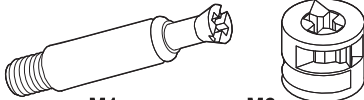


Colorful Essentials
Play Cupboard
 Model# ELR-0745-A



Parts List			
BEFORE ASSEMBLING, MAKE SURE YOU HAVE ALL THE PARTS			
A	Side Panels (2) 	D	Middle Shelf (1) 
		E	Lower Shelf (1) 
B	Top Panel (1) 	F	Upper Shelf (1) 
C	Bottom Panel (1) 	G	Upper Back Panel (1) 
		H	Lower Back Panel (1) 
		I	Left Door (1) 
		J	Right Door (1) 
		K	Hex Screw (12) 
		L	Phillips Screws (10) 
		M	Cam Posts & Cam Locks (4/4) 


⚠ WARNING:

Adult Assembly Required.

- Two adults recommended.
- Contains small parts, sharp points and edges.
- Do not stand, sit, kneel, climb, lean or pull on unit for support.
- Never leave children unattended.
- Do not place unit near high heat or moisture.
- Adult supervision recommended.


TOOLS INCLUDED

● Hex Tool (1)



TOOLS NEEDED

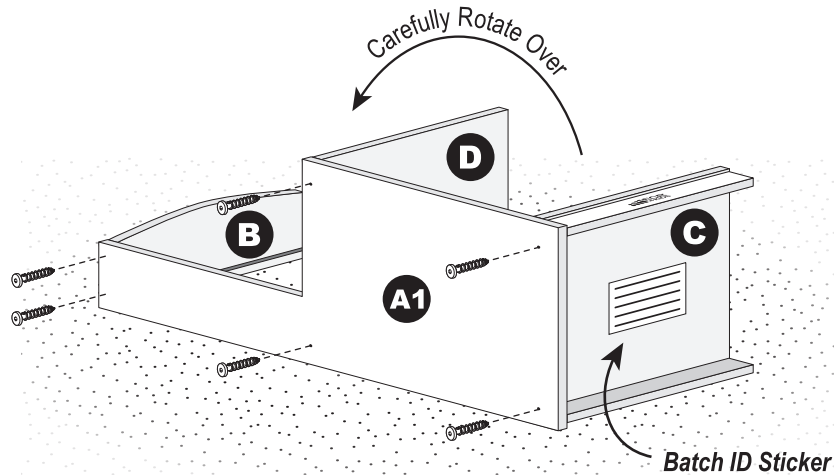
+ Phillips Screwdriver



1 Install Left Side Panel to Top/Middle/Bottom Panels

Install the **Left Side Panel (A1)** onto the **Top Panel (B)**, **Middle Shelf (D)** and **Bottom Panel (C)** with six **Hex Screws (K)** using the Hex tool.

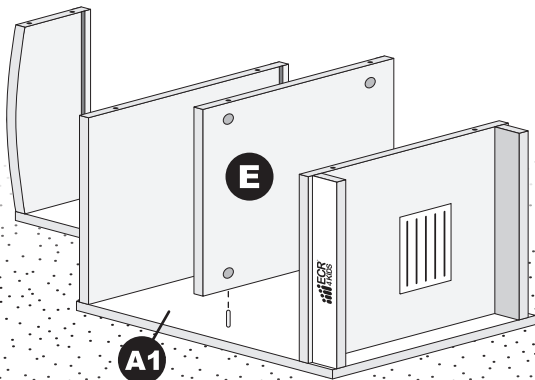
Two Adults Recommended: Carefully rotate the onto the **Left Side Panel (A1)**.



2 Connect the Lower Shelf

Install two **Cam Posts (M1)** into the threaded plastic inserts on the inside of the **Left Side Panel (A1)** with a Phillips screwdriver. This step will be repeated on **Right Side Panel (A2)**.

Reminder: Do not overtighten, as the plastic threads can be stripped.

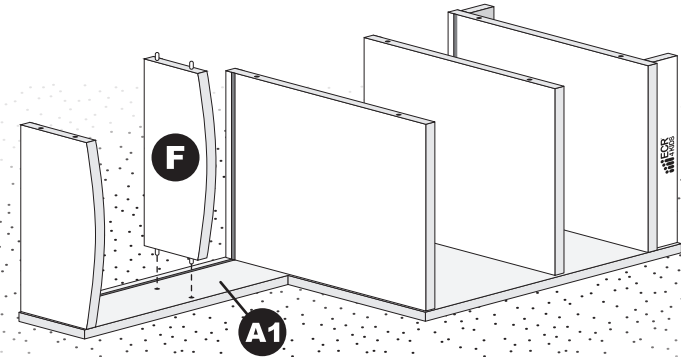


Place four **Cam Locks (M2)** into the recessed holes on the underside of **Lower Shelf (E)**, with the arrow facing the closest edge.

Lower the **Lower Shelf (E)** onto the **Cam Posts (M1)** on the **Left Side Panel (A1)**. Turn the **Cam Locks** clockwise with a Phillips screwdriver to lock the Shelf onto the posts.

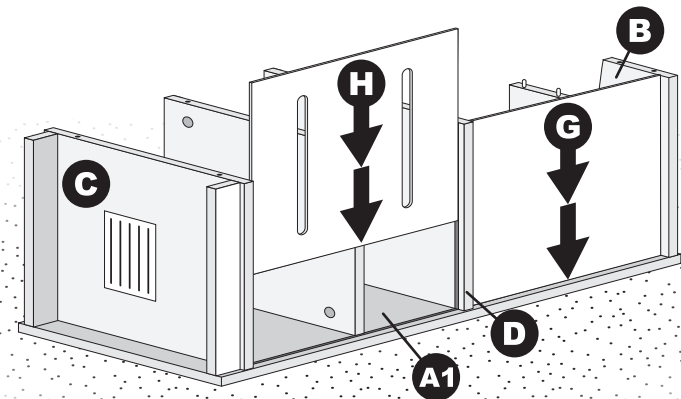
3 Insert the Upper Shelf

Insert the pre-installed wooden dowels on the **Upper Shelf (F)** into the corresponding holes on the inside of the **Left Side Panel (A1)**.



4 Slide the Back Panels into place

Slide the **Upper/Lower Back Panels (G/H)** into the grooves on the **Top Panel (B)**, **Middle Shelf (D)** and **Bottom Panel (C)**, until fully seated in the groove on the inside of the **Left Side Panel (A1)**.

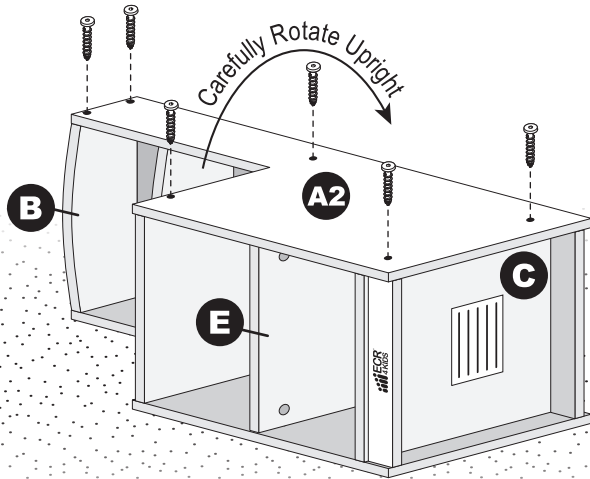


5 Install the Right Side Panel

Lower the **Right Side Panel (A2)** so the **Cam Posts (M1)** align into the holes on the edge of **Lower Shelf (E)**. Turn the **Cam Locks (M2)** clockwise with a Phillips screwdriver to lock the Shelf onto the posts.

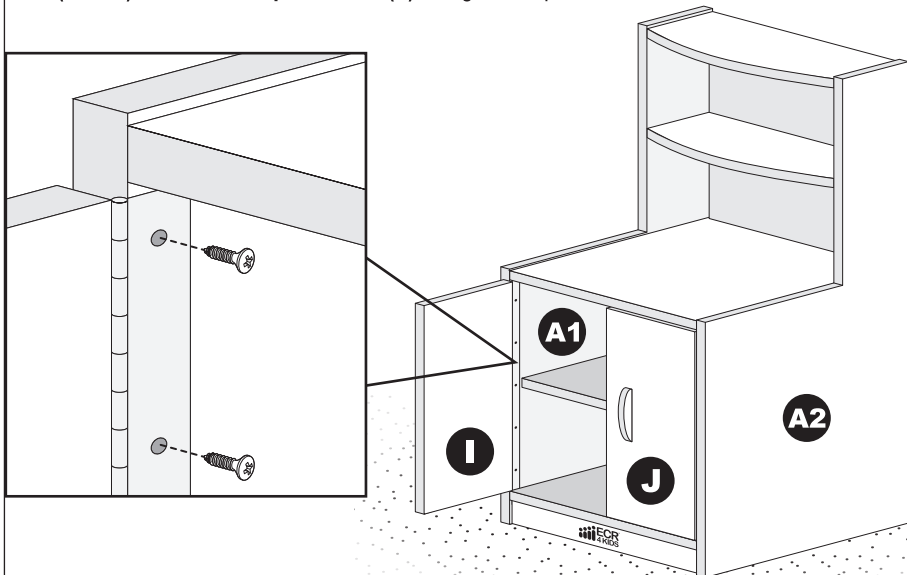
Install the **Right Side Panel (A2)** onto the **Top Panel (B)** and **Bottom Panel (C)** with six **Hex Screws (K)** using the Hex tool.

Two Adults Recommended:
Carefully rotate the unit upright.



6 Install the Doors

Install the **Left Door (I)** and **Right Door (J)** onto the inside of the **Left/Right Side Panels (A1/A2)** with ten **Phillips Screws (L)** using a Phillips screwdriver.



ECR
4 KIDS

We appreciate your purchase of the CE Play Cupboard. ECR4KIDS has made every effort to supply a quality product that with proper use and care, will provide many years of trouble-free use.

If you experience any difficulties with this product, please email us at ecrcs@ecr4kids.com or call toll-free at (855) ECR-4KIDS (Monday - Friday, 7:00am - 4:00pm Pacific Standard Time)

Please do not return to place of purchase as ECR4KIDS will replace defective part(s) and/or product.

Warranty: Visit our website for product specific warranty information at: www.ecr4kids.com

Care and Cleaning

Clean unit with a damp cloth or sponge using warm water and mild soap. Wipe dry.

Do not place near heat, moisture or vaporizer which may cause panels to warp and peel.

Check for loose or worn parts periodically and tighten or replace as necessary.

Record the manufacture date here. Information is located on the Batch ID sticker and on the shipping carton. Save this sheet in an accessible place.

Model Number: ELR-0745-A

Factory Code: EG

Manufacture Date: _____

Batch ID Number: _____
(Located on Part C)