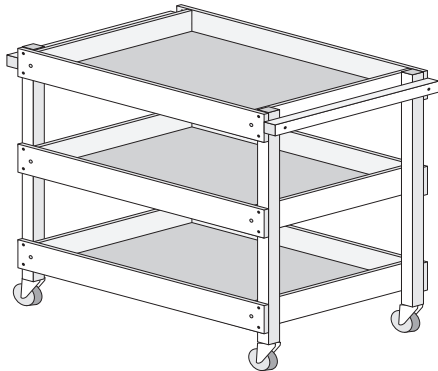


Utility Cart
 Model# ELR-076-B



⚠ WARNING:

Adult Assembly Required.

- Two adults recommended.
- Contains small parts, sharp points and edges.
- Do not stand, sit, kneel, climb, lean or pull on unit for support.
- Never leave children unattended.
- Do not place unit near high heat or moisture.
- Adult supervision recommended.

TOOLS INCLUDED

- Hex Tool (1)



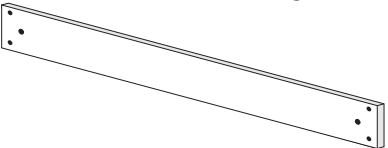
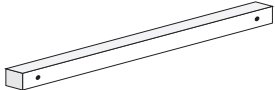
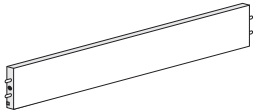
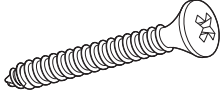
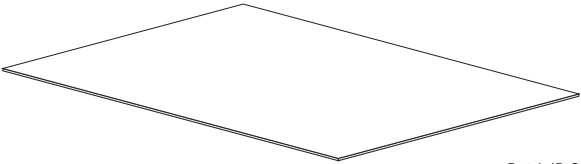
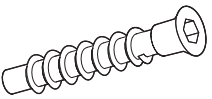
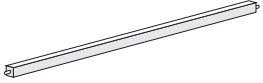
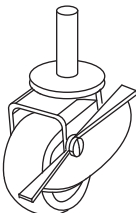

TOOLS NEEDED

- Phillips Screwdriver



Parts List

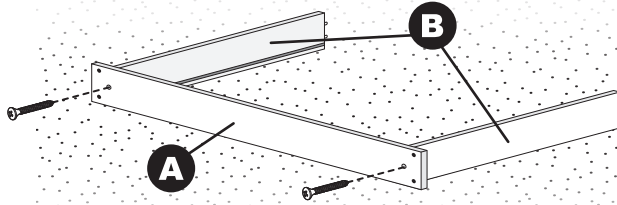
BEFORE ASSEMBLING, MAKE SURE YOU HAVE ALL THE PARTS

<p>A Long Shelf Side Panels (6)</p> 	<p>F Handles (2)</p> 
<p>B Short Shelf Side Panels (6)</p> 	<p>G Phillips Screws (12)</p>  <p><i>Use a Phillips Screwdriver</i></p>
<p>C Shelves (3)</p>  <p><i>Batch ID Sticker located on underside</i></p>	<p>H Hex Screws (28)</p>  <p><i>Use the Hex Tool</i></p>
<p>D Shelf Supports (6)</p> 	<p>I Casters (4)</p> 
<p>E Legs (4)</p> 	

1 Install the Short Shelf Side Panels

Insert the pre-installed wooden dowels on two **Short Shelf Side Panels (B)** into the corresponding holes on the inside of **Long Shelf Side Panel (A)** with the grooves on each aligning with each other.

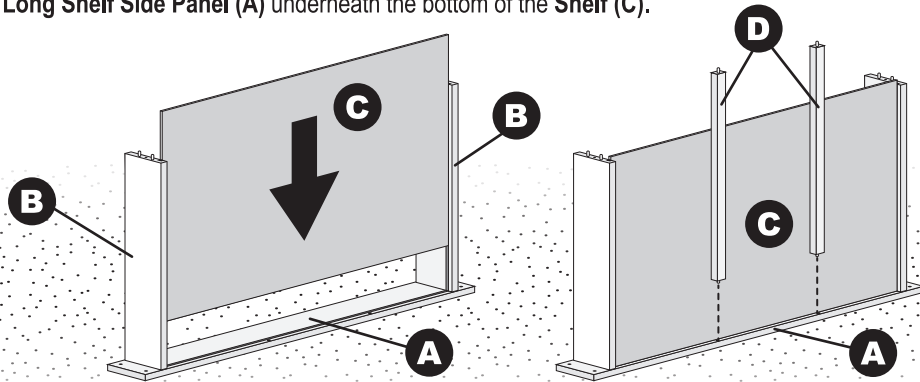
Install both **Short Shelf Side Panels (B)** onto the **Long Shelf Side Panel (A)** with two **Phillips Screws (G)** using a Phillips screwdriver.



2 Slide the Shelf into place

Slide the **Shelf (C)** into the grooves on the **Short Shelf Side Panels (B)** as shown, until fully seated into the groove on the inside of the **Long Shelf Side Panel (A)**.

Insert the pre-installed wooden dowels on two **Shelf Supports (D)** into the corresponding holes on **Long Shelf Side Panel (A)** underneath the bottom of the **Shelf (C)**.

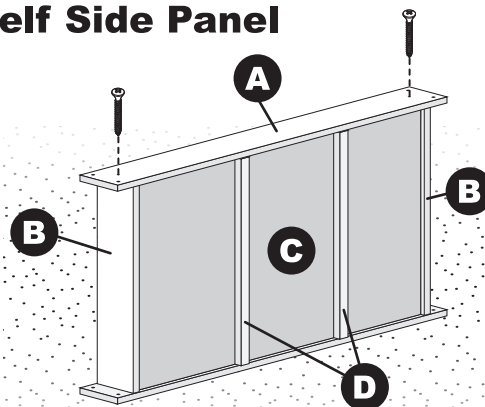


3 Install Long Shelf Side Panel

Insert the pre-installed wooden dowels on two **Short Shelf Side Panels (B)** and **Shelf Supports (D)** into the corresponding holes on the inside of **Long Shelf Side Panel (A)** with the **Shelf (C)** seated into groove.

Install both **Long Shelf Side Panel (A)** onto the **Short Shelf Side Panels (B)** with two **Phillips Screws (G)** using a Phillips screwdriver.

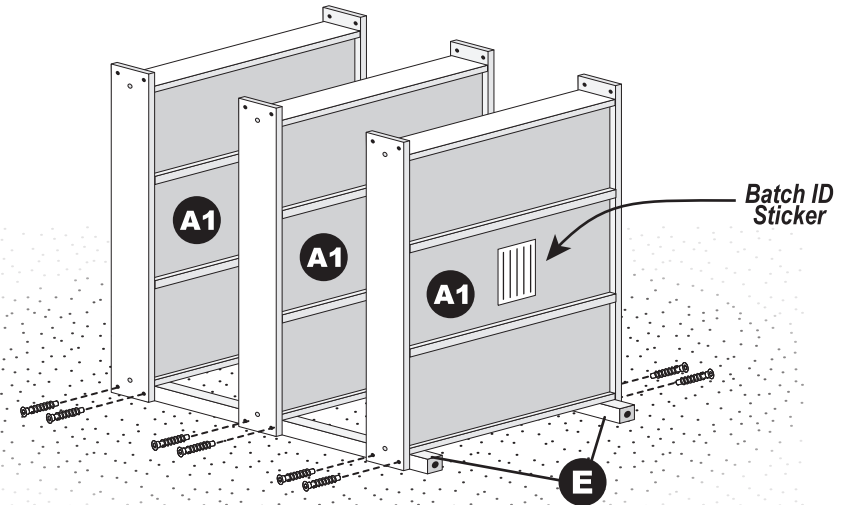
The Assembled Shelves are now A1.



4 Install the Shelves

Install the **Shelves (A1)** onto the Left side **Legs (E)** with twelve **Hex Screws (H)** using the Hex Tool.

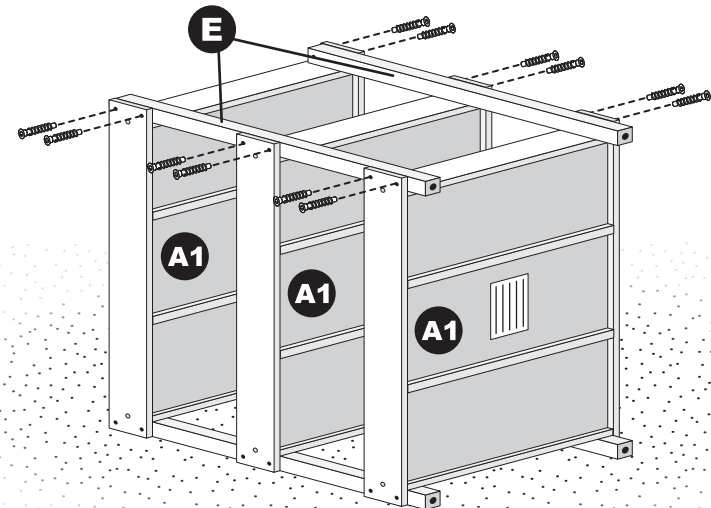
Tip: Install the center shelf first.



5 Install the Remaining Legs

Install the Right side **Legs (E)** onto the **Shelves (A1)** with twelve **Hex Screws (H)** using the Hex Tool.

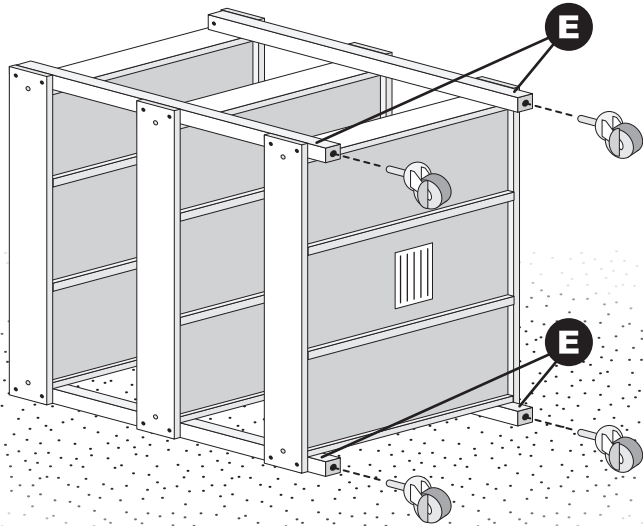
Tip: Install the center shelf first.



See Next Page

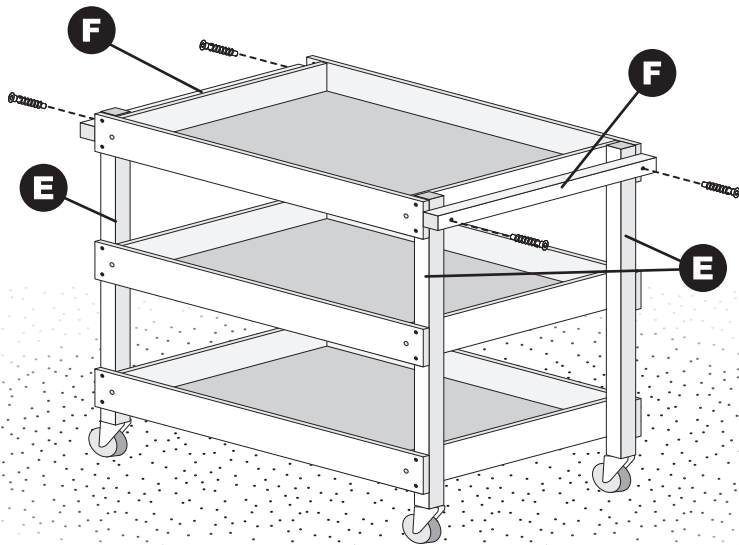
6 Insert the Casters

Insert the **Casters (I)** into the bottom of the **Legs (E)** until they “click” into place.



7 Install the Handles

Install the **Handles (F)** onto the **Legs (E)** with four **Hex Screws (H)** using the Hex Tool.



We appreciate your purchase of the Utility Cart. ECR4KIDS has made every effort to supply a quality product that with proper use and care, will provide many years of trouble-free use.

If you experience any difficulties with this product, please email us at ecrcs@ecr4kids.com or call toll-free at (855) ECR-4KIDS (Monday - Friday, 7:00am - 4:00pm Pacific Standard Time)

Please do not return to place of purchase as ECR4KIDS will replace defective part(s) and/or product.

Warranty: Visit our website for product specific warranty information at: www.ecr4kids.com

Care and Cleaning

Clean wood with a damp cloth or sponge using warm water and mild soap. Wipe dry.

Do not place near heat, moisture or vaporizer which may cause wood to warp and peel.

Check for loose or worn parts periodically and tighten or replace as necessary.

Record the manufacture date here. Information is located on the Batch ID sticker and on the shipping carton. Save this sheet in an accessible place.

Model Number: ELR-076-B

Factory Code: CT

Manufacture Date: _____

Batch ID Number: _____
(Located on Part C)