

**BEFORE ASSEMBLING,
MAKE SURE THERE
ARE NO
MISSING PARTS.**

**TIP!
DO NOT FULLY
TIGHTEN SCREWS
UNTIL ALL SCREWS
HAVE BEEN LOOSELY
POSITIONED.**

PARTS LIST

- A** Top Shelf
- B1** Front Washboard
- B2** Back Washboard
- C** Bottom Shelf
- D1** Left Side Panel
- D2** Right Side Panel
- E** Back
- F** Shelf Divider
- G** Hex Head Screw(10)
- H** Cam(6)
- I** Metal Dowel(6)
- J** Wooden Dowel(4)
- K** Hex Key Tool
- L** Cushion
- M** Phillips Screwdriver

NOTE:
A Phillips Head Screwdriver
will be needed for
assembly (not included)



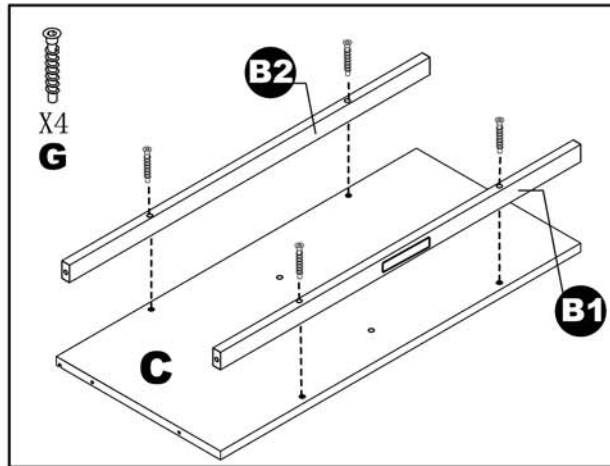
WARNING:

- **Adult Assembly Required.** Two adults recommended.
- Contains small parts, sharp points and edges.
- Do not stand, sit, kneel, climb, lean or pull on unit for support.
- Never leave children unattended.
- Do not place unit near high heat or moisture.
- Adult Supervision Recommended.

If you experience any difficulties with this product, please email us at customerservice@ecr4kids.com or call toll-free at (888) 227-9028 (Mon. through Fri., 8:00am to 4:00pm Eastern Standard Time)

Please do not return to place of purchase as Early Childhood Resources will replace defective part(s) and/or product.

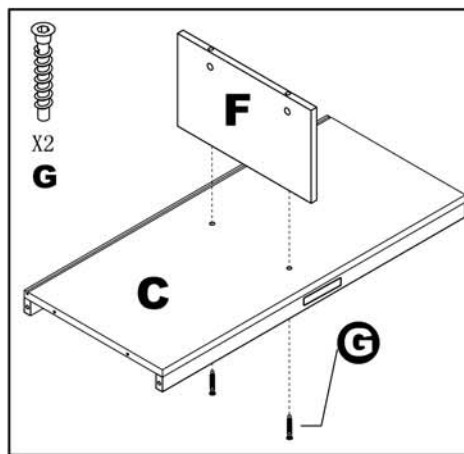
1 Assemble the Base



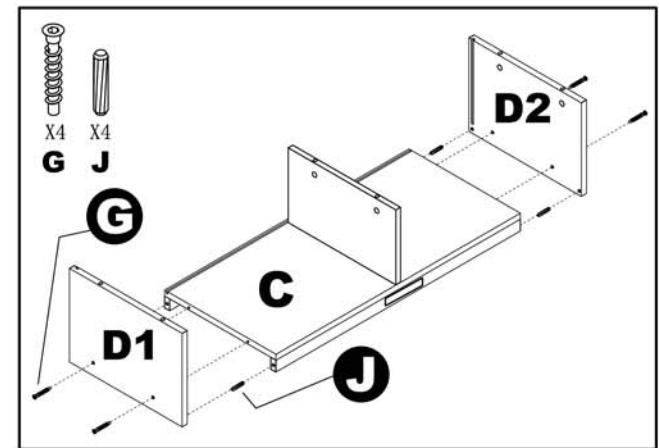
1A. Attach the 2 Washboards(B1,B2) to the Bottom Shelf(C) using 4 Hex Head Screws(G). Tighten using the Hex Key Tool(K).

2 Attach the Shelf Divider

2. Attach the Shelf Divider(F) to the Bottom Shelf(C) using 2 Hex Head Screws(G). Tighten with the Hex Key Tool(K).



3 Attach the Side Panels



3A. Insert 4 Wooden Dowels(J) into the Left Side Panel(D1) and Right Side Panel(D2).

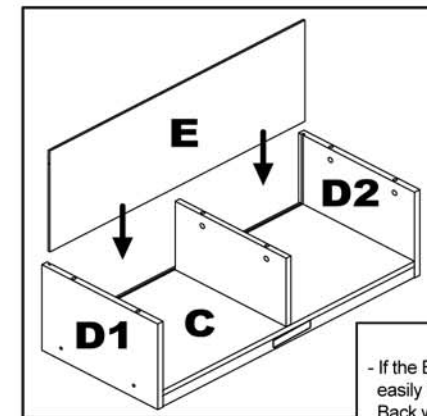
3B. Position the Left Side Panel(D1) so the Wooden Dowels(J) enter the holes on the side of the Washboards(B).

3C. Attach the Left Side Panel(D1) to the Bottom Shelf(C) using 2 Hex Head Screws(G). Tighten with the Hex Key Tool(K).

3D. Repeat Steps 3B and 3C to attach the Right Side Panel(D2).

4 Attach the Back Panel

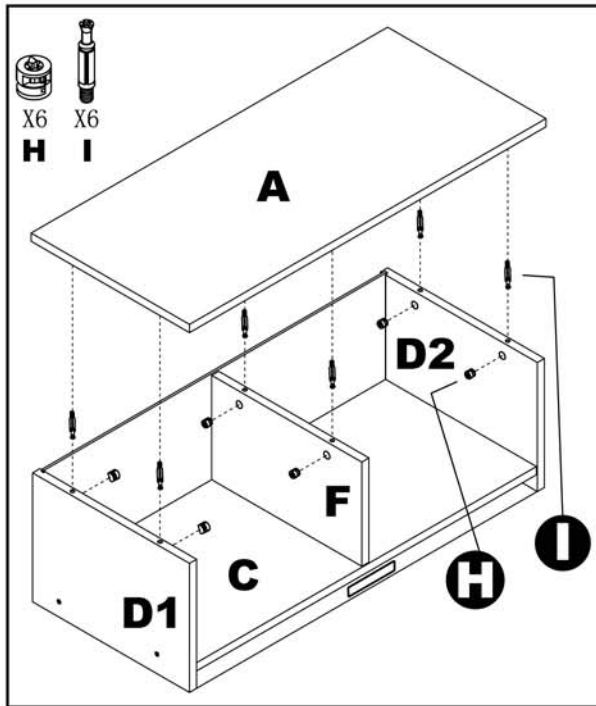
4. Slide the Back(E) into the groove between the Left Side Panel(D1) and the Right Side Panel(D2) until fully inserted into the slot.



TIP:

- If the Back Panel does not slide easily into the grooves, wiggle the Back while pushing the panel into the slot.
- You may also turn the rear Cams on the shelf above or below to unlock, push the Back until fully inserted into the slot, then turn Cams to the locked position again.

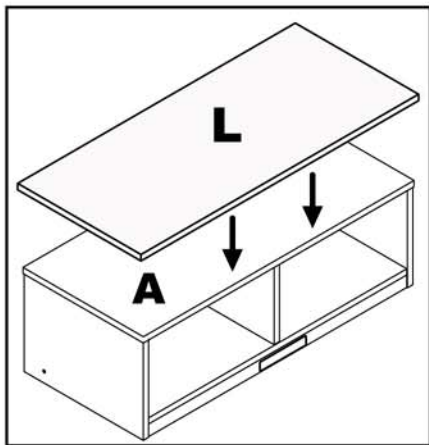
5 Attach the Top Shelf



5A. Insert 6 Metal Dowels(I) into the plastic plugs located underneath the Top Shelf(A). Tighten with a Phillips Screwdriver.

5B. Insert 6 Cams(H) into the large holes on the inside of Shelf Divider(F), Left Side Panel(D1) and Right Side Panel(D2). Make sure the arrows on Cams(H) point toward the holes in the closest edge.

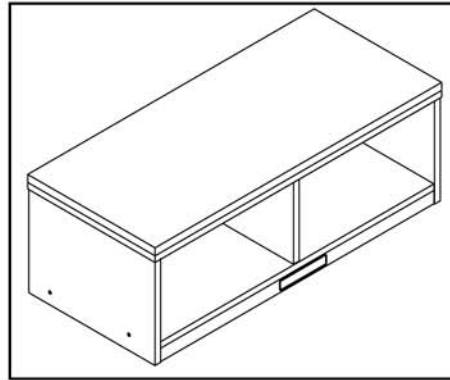
5C. Position the Top Shelf(A) so the attached Metal Dowels(I) enter holes on the Shelf Divider(F), Left Side Panel(D1) and Right Side Panel(D2) as shown. Turn Cams(H) with the Hex Key Tool(K) until locked onto the Metal Dowels(I).



5D. Remove the adhesive tape from the back of the Loop-Lock strip located underneath Cushion(L).

5E. Position Cushion(L) above the Top Shelf(A) as shown, then carefully place Cushion(L) on Top Shelf(A). Press firmly on Cushion(L) until the Loop-Lock adhesive has engaged the Top Shelf(A) securely.

6 You are done!



⚠ CAUTION:

- Do not allow children to climb on shelves, or to stand or kneel on unit.
- Do not use as a stepladder.
- Maximum Weight Limit: 330 lb.

Early Childhood[®] RESOURCES

We appreciate your purchase of the Storage Bench with 2 Trays. Early Childhood Resources has made every effort to supply a quality product, that with proper use and care, will bring you many years of trouble free use!

Care and Cleaning

Clean wood with a damp cloth or sponge using warm water and mild soap. Wipe dry.

Do not place near heat, moisture or vaporizer which may cause wood to warp and peel.

Check for loose or worn parts periodically and tighten or replace as necessary.



“Early Childhood Resources® guarantees the quality of all of our products. You can trust the quality and safety of our furniture and materials, along with the peace of mind that our products are made to last. If for any reason, you are not satisfied with the quality and workmanship of our products, we will replace the item or refund the sale.”

Record the manufacture date here. Information is located on a label enclosed, and on the shipping carton. Place label and this sheet in an accessible place.

Model Number: **ELR-0776**

Manufacture Date: _____

Purchase Order Number: _____