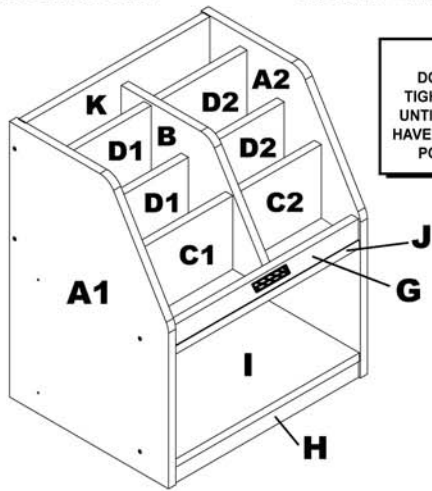


**Reading Sectional  
Single Sided Book Storage  
Rack with Tray**  
Model # ELR-0777



**TIP!**  
DO NOT FULLY  
TIGHTEN SCREWS  
UNTIL ALL SCREWS  
HAVE BEEN LOOSELY  
POSITIONED.

**PARTS LIST**

- A1** Left Side Panel
- A2** Right Side Panel
- B** Middle Panel
- C1** Left Bottom Divider
- C2** Right Bottom Divider
- D1** Left Top Divider(2)
- D2** Right Top Divider(2)
- E** Bottom Back
- F** Top Shelf
- G** Baffle
- H** Washboards(2)
- I** Bottom Shelf
- J** Middle Shelf
- K** Top Back
- L** Hex Head Screw(30)
- M** Cam(2)
- N** Metal Dowel(2)
- O** Wooden Dowel(24)
- P** Hex Key Tool

**NOTE:**  
A Phillips Head Screwdriver  
will be needed for  
assembly (not included)



**BEFORE ASSEMBLING,  
MAKE SURE THERE  
ARE NO  
MISSING PARTS.**

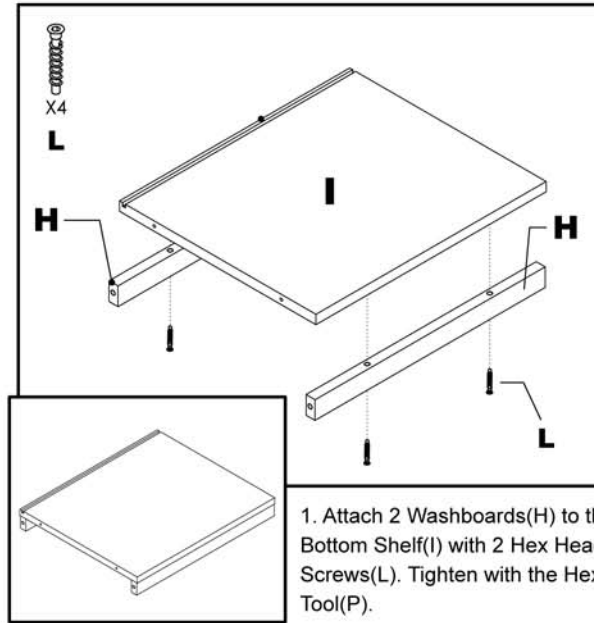
**WARNING:**

- Adult Assembly Required.** Two adults recommended.
- Contains small parts, sharp points and edges.
  - Do not stand, sit, kneel, climb, lean or pull on unit for support.
  - Never leave children unattended.
  - Do not place unit near high heat or moisture.
  - Adult Supervision Recommended.

If you experience any difficulties with this product, please email us at [customerservice@ecr4kids.com](mailto:customerservice@ecr4kids.com) or call toll-free at (888) 227-9028 (Mon. through Fri., 8:00am to 4:00pm Eastern Standard Time)

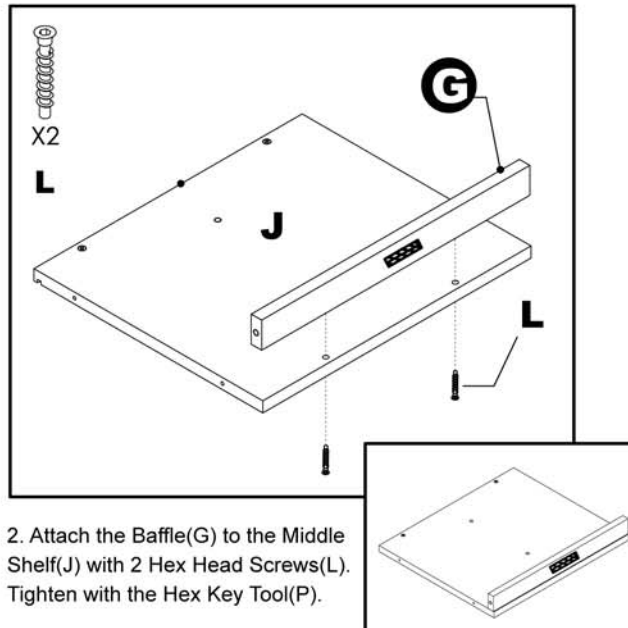
**Please do not return to place of purchase as Early Childhood Resources will replace defective part(s) and/or product.**

**1 Assemble the Base**



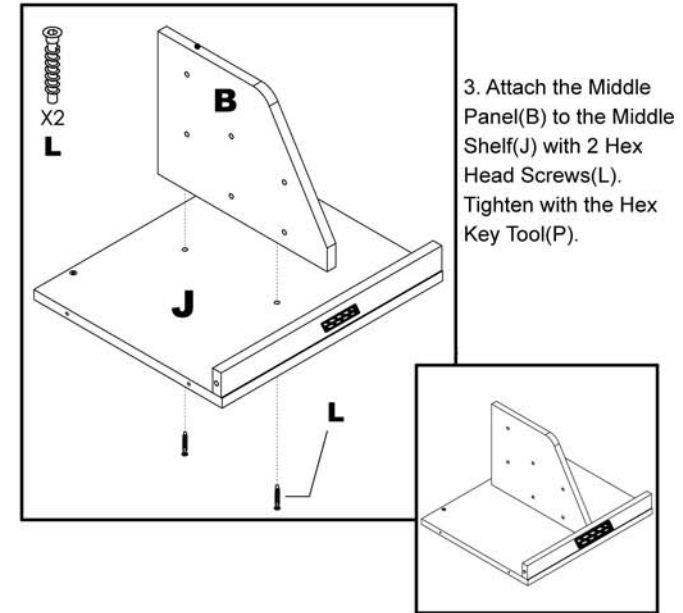
1. Attach 2 Washboards(H) to the Bottom Shelf(I) with 2 Hex Head Screws(L). Tighten with the Hex Key Tool(P).

**2 Attach the Baffle to the Middle Shelf**



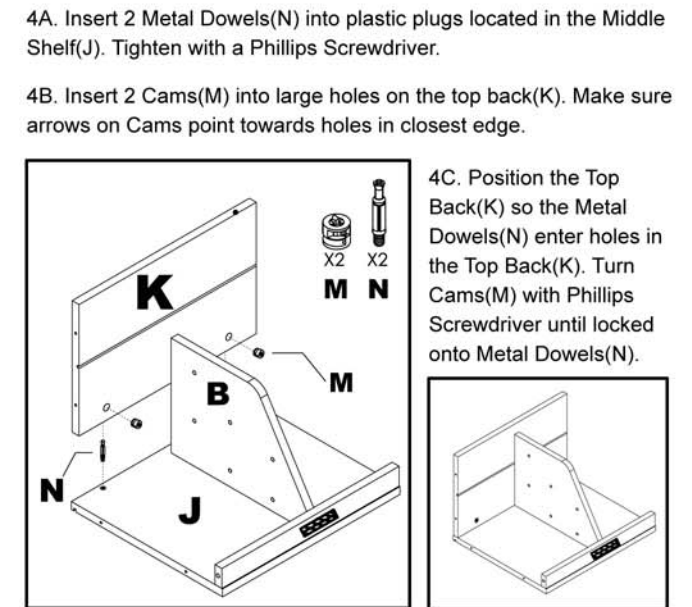
2. Attach the Baffle(G) to the Middle Shelf(J) with 2 Hex Head Screws(L). Tighten with the Hex Key Tool(P).

**3 Attach the Middle Panel**



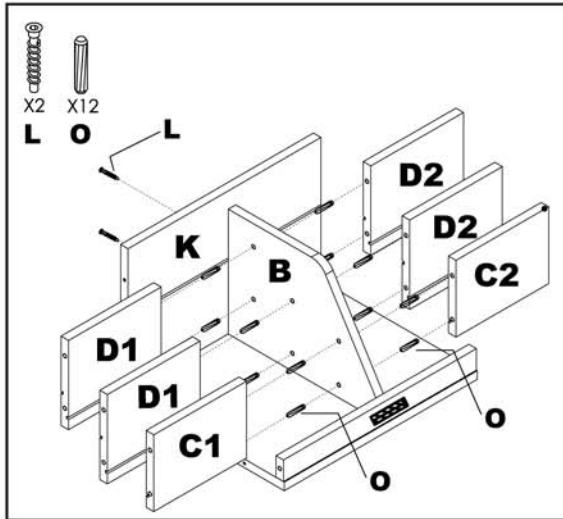
3. Attach the Middle Panel(B) to the Middle Shelf(J) with 2 Hex Head Screws(L). Tighten with the Hex Key Tool(P).

**4 Attach the Top Back**



- 4A. Insert 2 Metal Dowels(N) into plastic plugs located in the Middle Shelf(J). Tighten with a Phillips Screwdriver.
- 4B. Insert 2 Cams(M) into large holes on the top back(K). Make sure arrows on Cams point towards holes in closest edge.

4C. Position the Top Back(K) so the Metal Dowels(N) enter holes in the Top Back(K). Turn Cams(M) with Phillips Screwdriver until locked onto Metal Dowels(N).

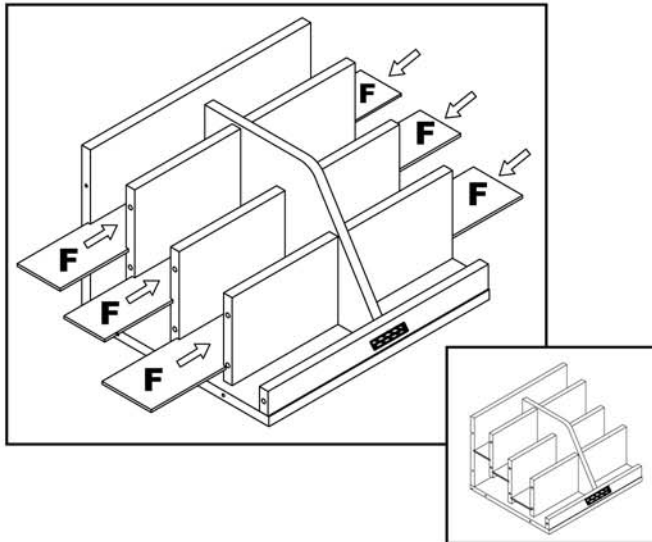
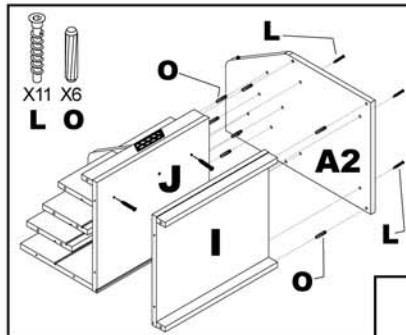
**5****Attach the Bottom Dividers and Top Dividers**

5A. Insert 12 Wooden Dowels(O) into the Bottom Dividers(C) and Top Dividers(D). Position the Bottom Dividers(C) and Top Dividers(D) so the attached Wooden Dowels(O) enter holes in the Middle Panel(B).

5B. Attach the Top Back(K) to the Middle Panel(B) using 2 Hex Head Screws(L). Tighten with the Hex Key Tool(P).

**6****Insert the Top Shelves**

6A. Slide the Top Shelves(F) into grooves as shown until fully inserted into slot.

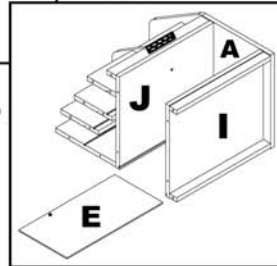
**7****Attach the Right Side Panel and Bottom Back**

7A. Secure Middle Shelf(J) using 2 Hex Head Screws(L). Tighten with the Hex Key Tool(P).

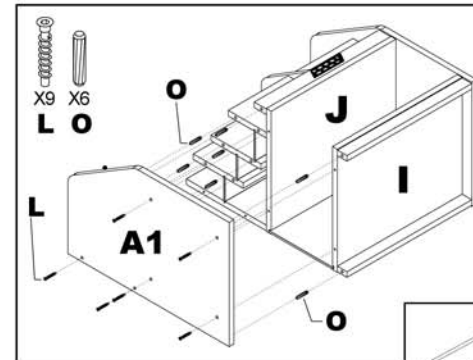
7B. Insert 6 Wooden Dowels(O) into Right Side Panel(A2), then position so the attached Wooden Dowels(O) enter the holes as shown.

7C. Attach Right Side Panel(A2) to the Bottom Shelf(I), Middle Shelf(J) and Top Shelf(F) using 6 Hex Head Screws(L). Tighten with the Hex Key Tool(P).

7D. Slide the Bottom Back(E) into the grooves between the Bottom Shelf(I) and Middle Shelf(J) as shown until fully inserted into slot.

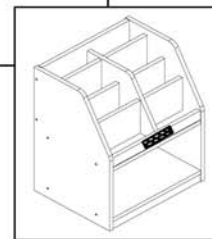
**TIP:**

If the Back Panel does not slide easily into the grooves, wiggle the Back while pushing the panel into the slot. You may also turn the rear Cams on the shelf above or below to unlock, push the Back until fully inserted into the slot, then turn Cams to the locked position again.

**8****Attach the Left Side Panel**

8. Repeat Steps 7B and 7C to attach the Left Side Panel(A1).

Carefully turn the unit upright.

**9****You are done!****CAUTION:**

- Do not allow children to climb on shelves.
- Do not use as a stepladder.

# Early Childhood RESOURCES

We appreciate your purchase of the Single Sided Book Storage Rack with Tray. Early Childhood Resources® has made every effort to supply a quality product, that with proper use and care, will bring you many years of trouble free use!

**Care and Cleaning**

Clean wood with a damp cloth or sponge using warm water and mild soap. Wipe dry.

Do not place near heat, moisture or vaporizer which may cause wood to warp and peel.

Check for loose or worn parts periodically and tighten or replace as necessary.



"Early Childhood Resources® guarantees the quality of all of our products. You can trust the quality and safety of our furniture and materials, along with the peace of mind that our products are made to last. If for any reason, you are not satisfied with the quality and workmanship of our products, we will replace the item or refund the sale."

Record the Purchase Order Number here. Information is located on a label enclosed, and on the shipping carton. Place label and this sheet in an accessible place.

Model Number: **ELR-0777**

Purchase Order Number: \_\_\_\_\_