







# Cube Play Sets-Assembly Guide

Model #ELR-0814, 16 pc. Cube Play  
Model #ELR-0815, 23 pc. Tunnel Cube Play







BEFORE ASSEMBLING,  
MAKE SURE THERE  
ARE NO  
MISSING PARTS.

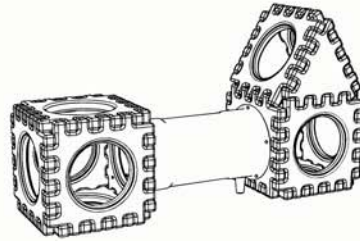
## PARTS LISTS

### ELR-0814, 16 pc. Cube Play

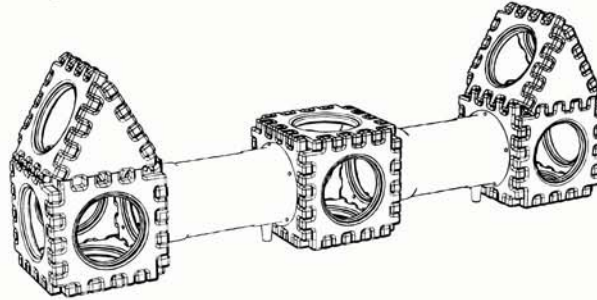
- A**  GP2-2705 SQUARE PANEL (13)
- B**  GP2-2708 TRIANGLE PANEL (2)
- C**  GP2-2704 TUNNEL (1)
- D**  ROUND HEAD SCREWS (8)
- E**  HEX NUTS (8)
- F**  HEX WRENCH (1)

### ELR-0815, 23 pc. Tunnel Cube Play

- A**  GP2-2705 SQUARE PANEL (18)
- B**  GP2-2708 TRIANGLE PANEL (2)
- C**  GP2-2704 TUNNEL (2)
- D**  ROUND HEAD SCREWS (16)
- E**  HEX NUTS (16)
- F**  HEX WRENCH (1)



ELR-0814, 16 pc. Cube Play  
\*shown assembled



ELR-0815, 23 pc. Tunnel Cube Play  
\*shown assembled

## ! WARNING:

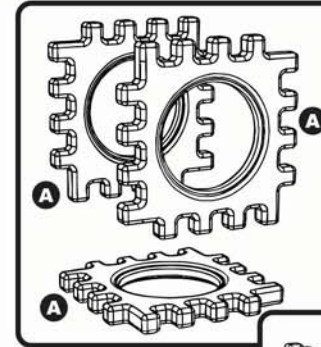
- Adult Assembly Required.
- Maximum Weight Capacity: 130 LB (60 KG)
- Recommended Age: 3 - 6 Years
- Recommended Height: 30"+
- Never leave children unattended.

### TO AVOID SERIOUS INJURY:

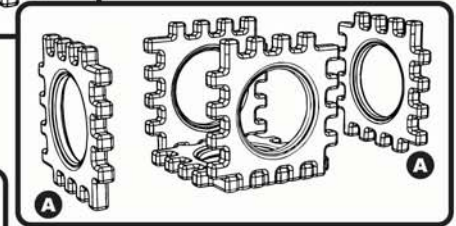
- Continuous Adult Supervision Required.
- Never use near motor vehicles, streets, swimming pools, hills, steps or sloped driveways.
- Always wear shoes when using this unit.
- Do not lean or pull on unit for support.

If you experience any difficulties with this product, please email us at [customerservice@ecr4kids.com](mailto:customerservice@ecr4kids.com) or call toll free at 1-888-227-9028 (Mon. through Fri., 9:00am to 5:00pm Eastern Standard Time). Please do not return to place of purchase as Early Childhood Resources will replace defective part(s) and/or product.

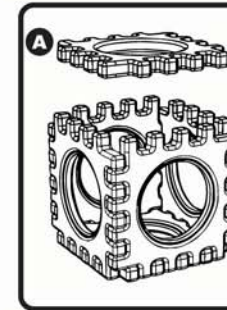
## 1 Assemble Square Panels



Attach front & back Square Panels (A) to bottom Square Panel (A).

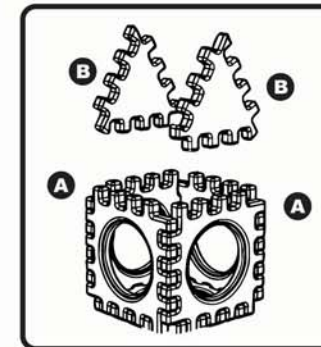


Attach 2 side Square Panels (A) to bottom Square Panel (A) and front & back Square Panels (A).

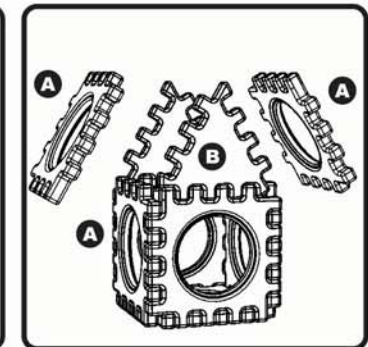


Attach top Square Panels (A) to 4 side Square Panels (A) on a single cube only.

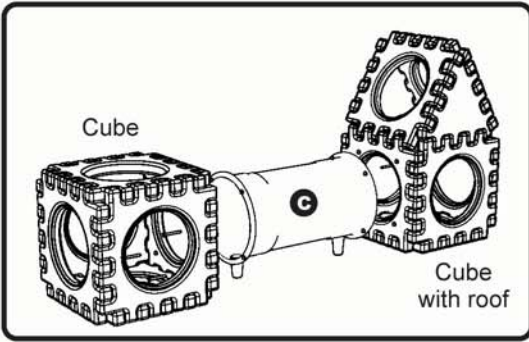
## 2 Attach Triangle Panels



Attach Triangle Panels (B) to Front & Back Square Panels (A).



Attach 2 more Square Panels (A) to side Square Panels (A) and Triangle Panels (B) to form roof.



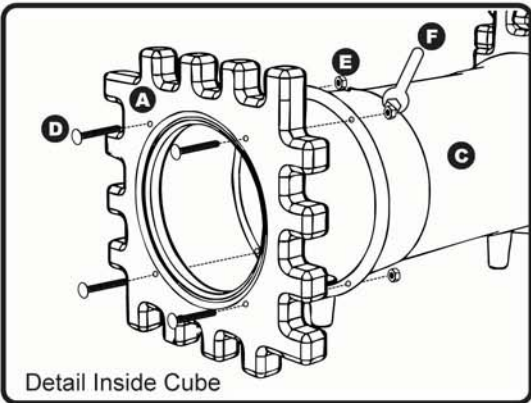
### 3 Attach Tunnel to Square Panels

Place one assembled Cube next to one Cube with roof. Place Tunnel (C) between them to measure distance.

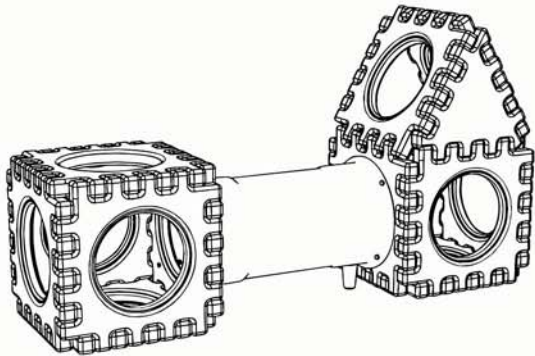
Fasten one end of Tunnel (C) to Square Panel (A) inside of Cube, using 4 Round Head Screws (D). Hold heads of Round Head Screws (D) and tighten Hex Nuts (E) using Hex Wrench (F) provided.

Repeat with other end of Tunnel (C) to Square to Cube with Roof.

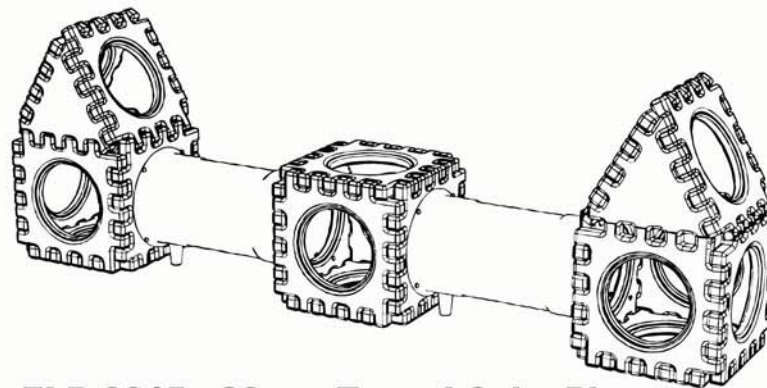
For the ELR-0815, Square a 2nd Tunnel (C) and Cube with Roof as shown below.



Detail Inside Cube



**ELR-0814, 16 pc. Cube Play**



**ELR-0815, 23 pc. Tunnel Cube Play**

**Early Childhood  
RESOURCES**

We appreciate your purchase of the Cube Play Item.

Early Childhood Resources® has made every effort to supply a quality product, that with proper use and care, will bring you many years of trouble free use!

#### Care and Cleaning

Clean with a damp cloth or sponge using warm water and mild soap. Wipe dry.

Do not place near heat, moisture or vaporizer.

Check for loose, worn or broken parts periodically and replace as necessary.



"Early Childhood Resources® guarantees the quality of all of our products. You can trust the quality and safety of our furniture and materials, along with the peace of mind that our products are made to last. If for any reason, you are not satisfied with the quality and workmanship of our products, we will replace the item or refund the sale."

Record the manufacture date here. Information is located on a label enclosed and on the shipping carton. Place label and this sheet in an accessible place.

Model Number: \_\_\_\_\_

Purchase Order Number: \_\_\_\_\_