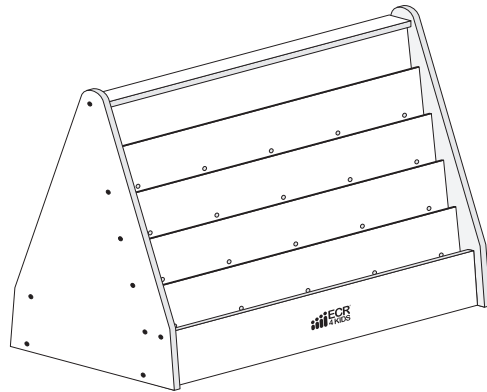


Pick-A-Book Stand
Model# ELR-083-B



⚠ WARNING:

Adult Assembly Required.

Two adults recommended.

- Contains small parts, sharp points and edges.
- Do not stand, sit, kneel, climb, lean or pull on unit for support.
- Never leave children unattended.
- Do not place unit near high heat or moisture.
- Adult supervision recommended.

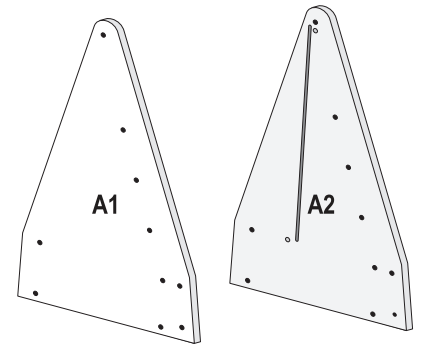
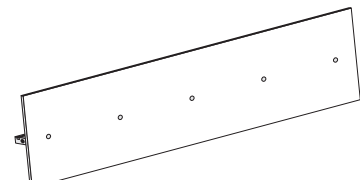
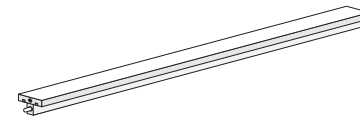
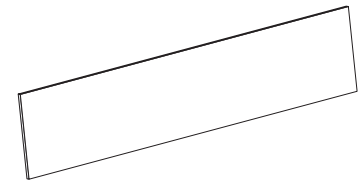
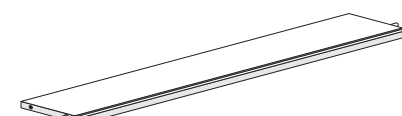
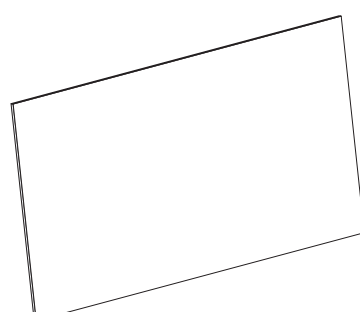
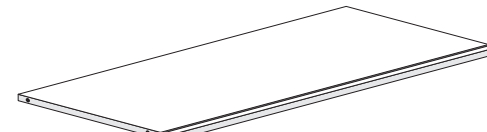
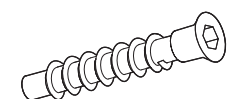

TOOLS INCLUDED

Hex Tool (1)



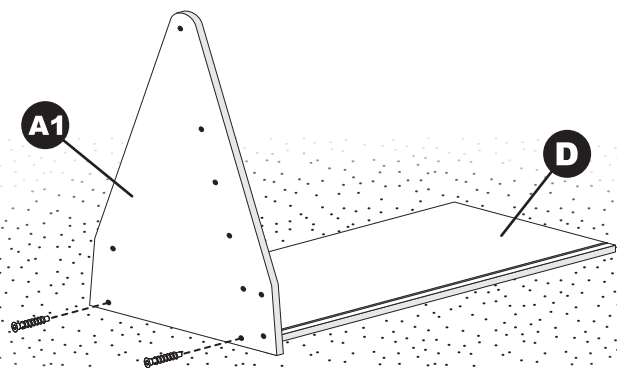
Parts List

BEFORE ASSEMBLING, MAKE SURE YOU HAVE ALL THE PARTS

<p>A Left & Right Side Panels (1/1)</p> 	<p>F Book Display Shelves (4)</p> 
<p>B Upper Crossbar (1)</p> 	<p>G Upper Display Shelf (1)</p> 
<p>C Middle Shelf (1)</p> 	<p>H Dry Erase Panel (1)</p> 
<p>D Bottom Shelf (1)</p>  <p><i>Batch ID Sticker located on underside</i></p>	<p>I Hex Screws (20)</p>  <p><i>Use the Hex Tool</i></p>
<p>E Front Crossbar (1)</p> 	

1 Install the Bottom Shelf

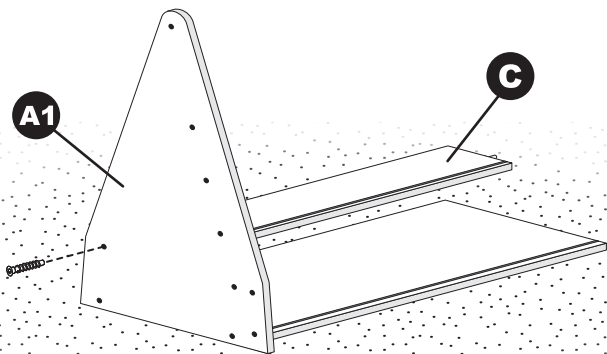
Install the **Bottom Shelf (D)** onto the **Left Side Panel (A1)** as shown, with two **Hex Screws (I)** using the Hex Tool.



2 Install the Middle Shelf

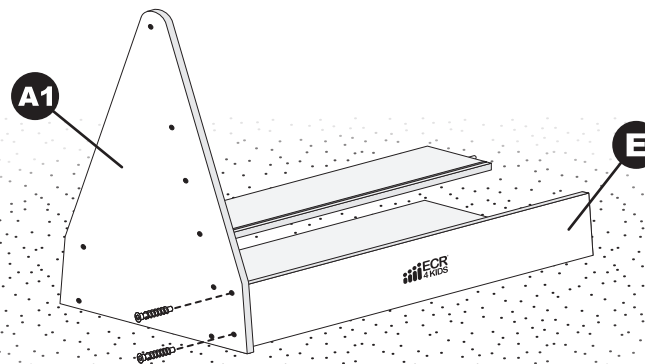
Insert the pre-installed wooden dowel on **Middle Shelf (C)** into the corresponding hole on the inside of **Left Side Panel (A1)**.

Install the **Middle Shelf (C)** onto the **Left Side Panel (A1)** with one **Hex Screw (I)** using the Hex Tool.



3 Install the Front Crossbar

Install the **Front Crossbar (E)** onto the **Left Side Panel (A1)** with two **Hex Screws (I)** using the Hex Tool.

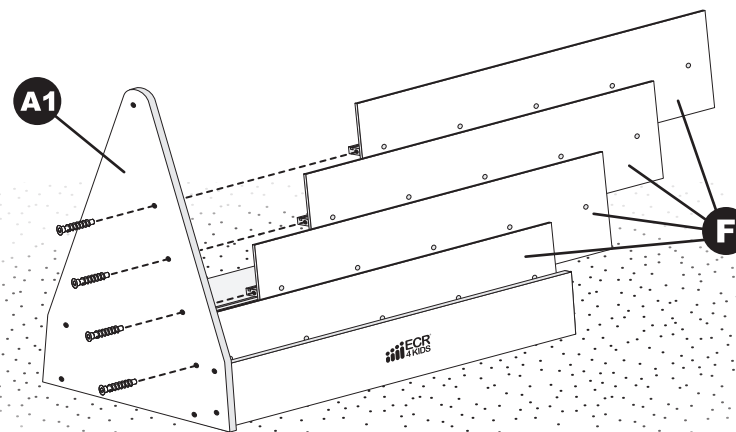


4 Install the Book Display Shelves

Slide a **Book Display Shelf (F)** into the groove on the **Bottom Shelf (D)** as shown, until fully seated against the inside of **Left Side Panel (A1)**.

Install the first **Book Display Shelf (F)** onto the **Left Side Panel (A1)** with one **Hex Screw (I)** using the Hex Tool.

Repeat with the remaining **Book Display Shelves (F)**, one shelf at a time.



See Next Page

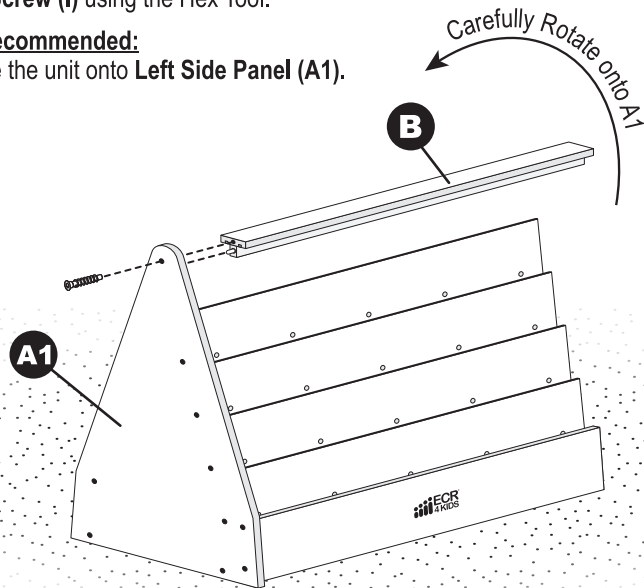
5 Install the Upper Crossbar

Insert the pre-installed wooden dowel on **Upper Crossbar (B)** into the corresponding hole on the inside of **Left Side Panel (A1)**.

Install the **Upper Crossbar (B)** onto the **Left Side Panel (A1)** with one **Hex Screw (I)** using the Hex Tool.

Two Adults Recommended:

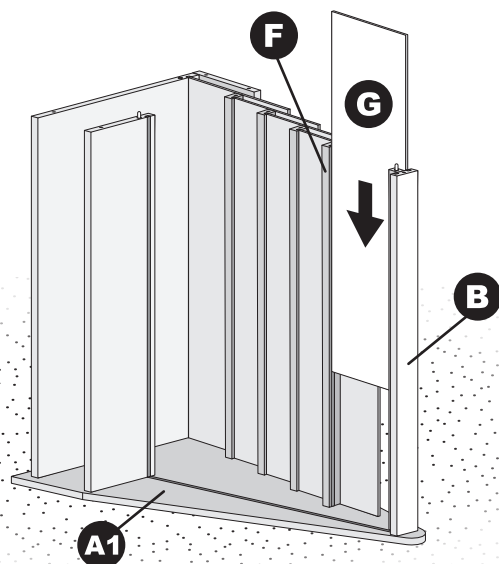
Carefully rotate the unit onto **Left Side Panel (A1)**.



6 Slide Upper Display Shelf into Place

Slide the **Upper Display Shelf (G)** into the grooves on the **Upper Crossbar (B)** and uppermost **Book Display Shelf (F)** as shown, until fully seated against the inside of the **Left Side Panel (A1)**.

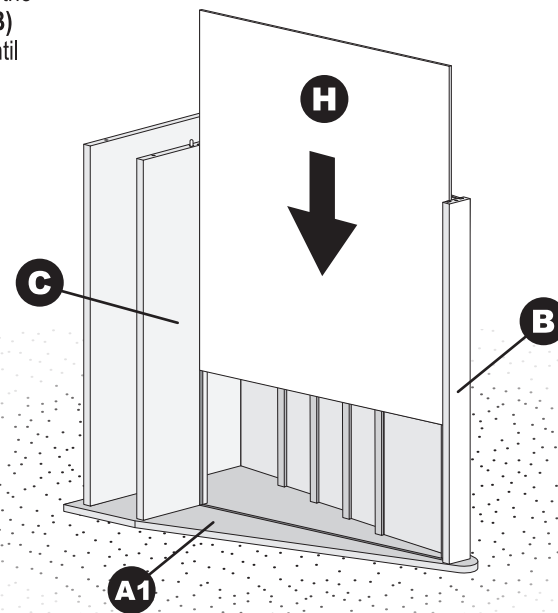
*Tip: If the **Upper Display Shelf (G)** does not slide in easily, wiggle the panels while pushing into place.*



7 Slide Dry Erase Panel into Place

Slide the **Dry Erase Panel (H)** into the grooves on the **Upper Crossbar (B)** and **Middle Shelf (C)** as shown, until fully seated into the groove on the inside of the **Left Side Panel (A1)**.

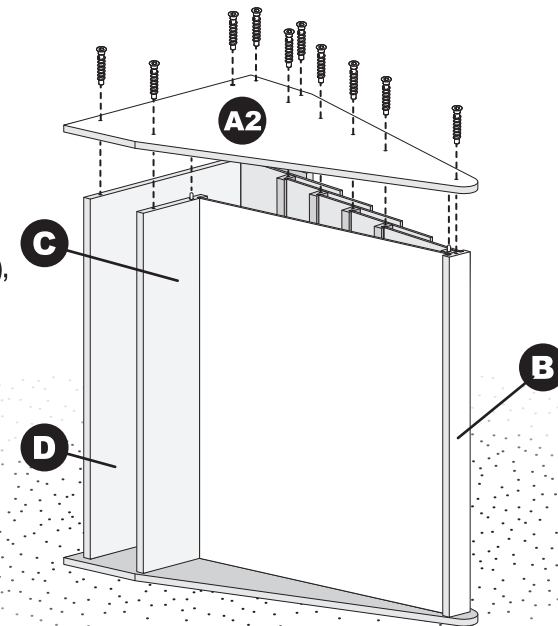
*Tip: If the **Dry Erase Panel (H)** does not slide in easily, wiggle the panels while pushing into place.*



8 Install the Left Side Panel

Insert the pre-installed wooden dowels on **Upper Crossbar (B)**, **Middle Shelf (C)** into the corresponding holes on the inside of **Right Side Panel (A2)**.

Install the **Right Side Panel (A2)** onto the **Upper Crossbar (B)**, **Middle Shelf (C)**, **Bottom Shelf (D)**, **Front Crossbar (E)** and **Book Display Shelves (F)** with ten **Hex Screws (I)** using the Hex Tool.



See Next Page



We appreciate your purchase of the Pick-A-Book Stand. ECR4KIDS has made every effort to supply a quality product that with proper use and care, will provide many years of trouble-free use.

If you experience any difficulties with this product, please email us at ecrcs@ecr4kids.com or call toll-free at (855) ECR-4KIDS (Monday - Friday, 7:00am - 4:00pm Pacific Standard Time)

Please do not return to place of purchase as ECR4KIDS will replace defective part(s) and/or product.

Warranty: Visit our website for product specific warranty information at: www.ecr4kids.com

Care and Cleaning

Clean wood with a damp cloth or sponge using warm water and mild soap. Wipe dry.

Do not place near heat, moisture or vaporizer which may cause wood to warp and peel.

Check for loose or worn parts periodically and tighten or replace as necessary.

Record the manufacture date here. Information is located on the Batch ID sticker and on the shipping carton. Save this sheet in an accessible place.

Model Number: ELR-083-B

Factory Code: EP

Manufacture Date: _____

Batch ID Number: _____
(Located on Part D)