



San Diego, CA 92110 USA
www.ecr4kids.com

Kid's Shopping Cart
Model# ELR-12702



WARNING:

Adult Assembly Required.

- Contains small parts, sharp points and edges.
- Do not stand, sit, kneel, climb, lean or pull on unit for support.
- Never leave children unattended.
- Do not place unit near high heat or moisture.
- Adult supervision recommended.

TOOLS INCLUDED

- Hex Tool (1)



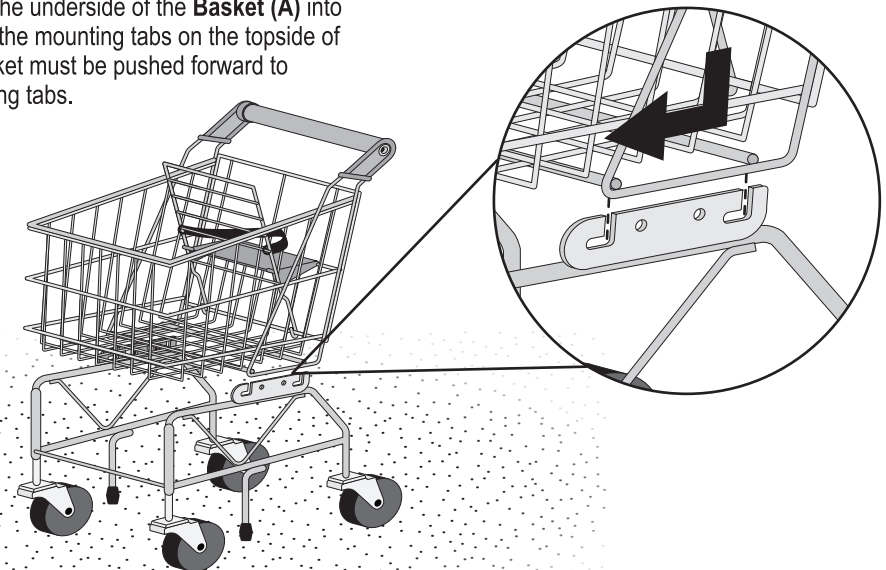
Parts List

BEFORE ASSEMBLING, MAKE SURE YOU HAVE ALL THE PARTS

<p>A</p> <p>Basket (1)</p>	<p>C</p> <p>Securing Plates (2)</p>
<p>B</p> <p>Frame (1)</p> <p><i>Batch ID Sticker located on underside of Seat</i></p>	<p>D</p> <p>Hex Screws (4)</p> <p><i>Use the Hex Tool</i></p>

1 Connect the Basket onto the Frame

Insert the crossbars on the underside of the **Basket (A)** into the dogleg openings on the mounting tabs on the topside of the **Frame (B)**. The basket must be pushed forward to interlock into the mounting tabs.



See Next Page

2

Install the Securing Plates

With the **Basket (A)** interlocked into the mounting tabs. Install the **Securing Plate (C)** onto the **Frame (B)** with four **Hex Screws (D)** using the Hex Tool.



3

Personalize

Remove the **Hex Screws (D)** from both ends of the **Basket Handle** using the Hex Tool.

Slide the plastic caps off the **Basket Frame**, and remove the **Handle Bar**. Remove the **Plastic Tube** from the **Handle Bar**.

Personalize the included **Paper Template** and insert it between the **Handle Bar** and **Plastic Tube**.

Reverse steps to re-assemble.

Note: *Handle Bar has locating tabs inside the plastic caps, rotate Handle Bar until the tabs are properly engaged before reassembly.*



ECR[®]
4 KIDS

We appreciate your purchase of the Kid's Shopping Cart. ECR4KIDS has made every effort to supply a quality product that with proper use and care, will provide many years of trouble-free use.

If you experience any difficulties with this product, please email us at ecrcs@ecr4kids.com or call toll-free at (855) ECR-4KIDS (Monday - Friday, 7:00am - 4:00pm Pacific Standard Time)

Please do not return to place of purchase as ECR4KIDS will replace defective part(s) and/or product.

Warranty: Visit our website for product specific warranty information at: www.ecr4kids.com

Care and Cleaning

Clean unit with a damp cloth or sponge using warm water and mild soap. Wipe dry.

Do not place near heat, moisture or vaporizer.

Check for loose or worn parts periodically and tighten or replace as necessary.

Record the manufacture date here. Information is located on the Batch ID sticker and on the shipping carton. Save this sheet in an accessible place.

Model Number: ELR-12702

Factory Code: ED

Manufacture Date: _____

Batch ID Number: _____
(Located on Part A)