

Activity Tables

Model#: ELR-0559 – 0624
ELR-0703 – 0710
ELR-0729



⚠ WARNING:

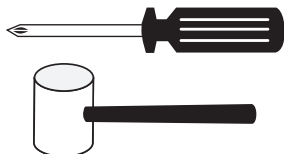
Adult Assembly Required.

Two adults recommended.

- Contains small parts, sharp points and edges.
- Do not stand, sit, kneel, climb, lean or pull on unit for support.
- Never leave children unattended.
- Do not place unit near high heat or moisture.
- Adult Supervision Recommended.

NOTE:

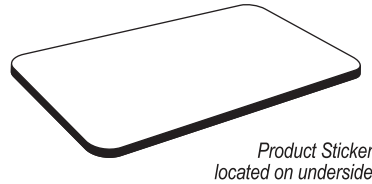
A Phillips Screwdriver and a Rubber Mallet may be needed for assembly (not included)



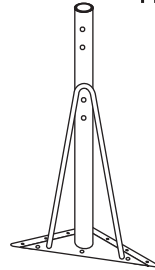
Parts List

BEFORE ASSEMBLING, MAKE SURE THERE ARE NO MISSING PARTS.

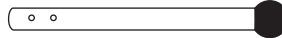
A Table Top



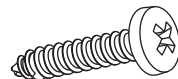
B Upper Leg Support (4)



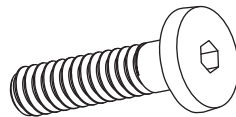
C Lower Leg Extension (4)



D Phillips Screws (12)



E Hex Screws (8)



F Hex Tool

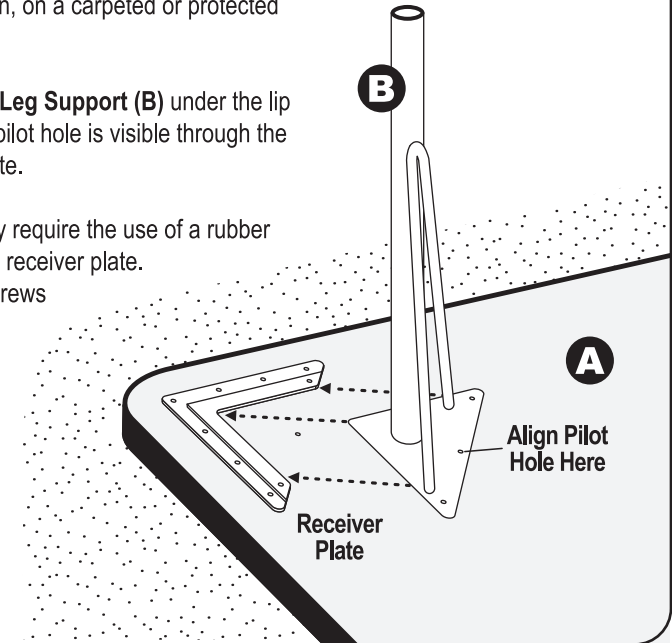


1 Install the Legs into the Receiver Plate

Place **Table Top (A)** face down, on a carpeted or protected surface to prevent scratches.

Slide base plate of the **Upper Leg Support (B)** under the lip of the receiver plate, until the pilot hole is visible through the center hole in the leg base plate.

The fit should be tight and may require the use of a rubber mallet to properly seat into the receiver plate. If needed the receiver plate screws may be loosened to allow more clearance. Remember to re-tighten after the base plate is installed.



2 Aligning & Attaching the Legs

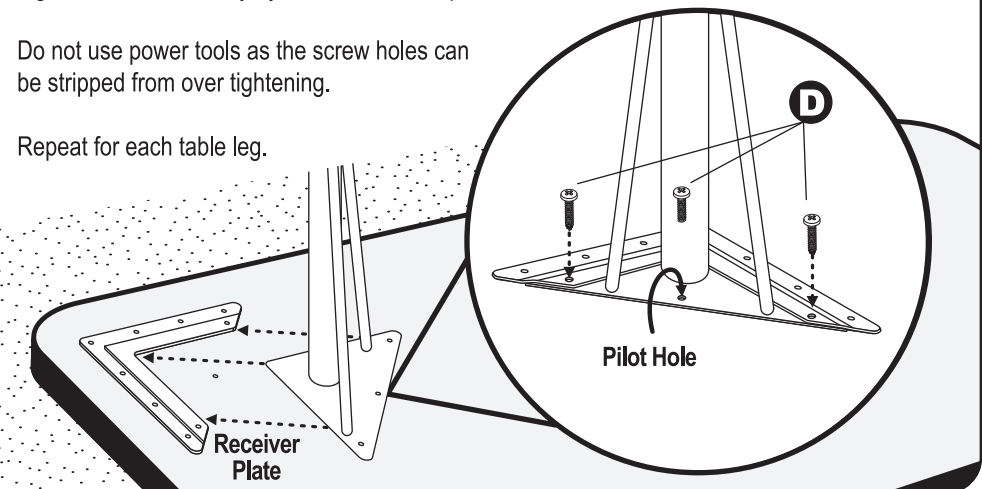
Once the pilot hole is aligned with the center hole in the leg base plate, use three **Phillips Screws (D)** to secure the leg base plate to the table.

DO NOT FULLY TIGHTEN SCREWS UNTIL ALL SCREWS HAVE BEEN LOOSELY POSITIONED.

Tighten all screws firmly by hand with a Phillips screwdriver.

Do not use power tools as the screw holes can be stripped from over tightening.

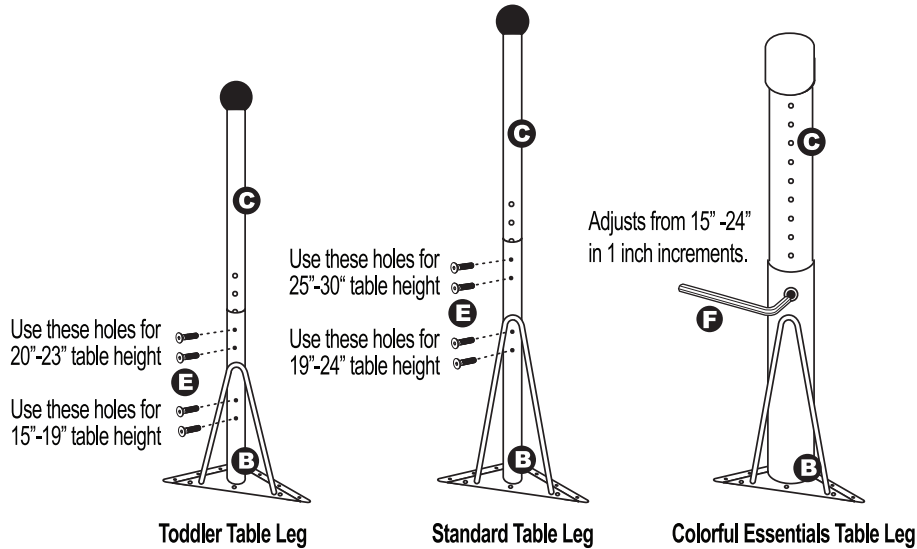
Repeat for each table leg.



3 Leg Height Adjustment

Insert **Lower Leg Extension (C)** into the **Upper Leg Support (B)** and line up the holes for the desired table top height as shown.

Secure each leg with two **Hex Screws (E)** using the **Hex Wrench (F)**.



NOTE: Only 1 Hex set screw to adjust.

Early Childhood
RESOURCES

We appreciate your purchase of the Activity Table. Early Childhood Resources has made every effort to supply a quality product, that with proper use and care, will bring you many years of trouble free use!

If you experience any difficulties with this product, please email us at customerservice@ecr4kids.com or call toll-free at (888) 227-9028 (Monday - Friday, 7:00am - 4:00pm Pacific Standard Time)

Please do not return to place of purchase as Early Childhood Resources will replace defective part(s) and/or product.



"Early Childhood Resources® guarantees the quality of all of our products. You can trust the quality and safety of our furniture and materials, along with the peace of mind that our products are made to last. If for any reason, you are not satisfied with the quality and workmanship of our products, we will replace the item or refund the sale."

! CAUTION:

- **Do not climb on table.**
- **Do not use as a ladder or seat.**
- **Do not stand, sit, kneel, lean or pull on unit for support**

CARE AND CLEANING

Clean table with a damp cloth or sponge using warm water and mild soap. Wipe dry.
Do not place near heat, moisture or vaporizer which may cause table to warp and peel.
Check for loose or worn parts periodically and tighten or replace as necessary.

Record the manufacture date here.
Information is located on the product sticker and on the shipping carton.
Place this sheet in an accessible place.

Model Number: ELR-0559 – 0624
ELR-0703 – 0710
ELR-0729

Factory Code: _____

Manufacture Date: _____

Batch ID Number: _____

(Located on the underside of Part A)

