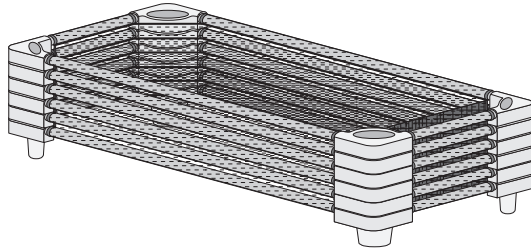


**Stackable Kiddie Cots**  
 Model #'s:  
 ELR-16112,  
 ELR-16114


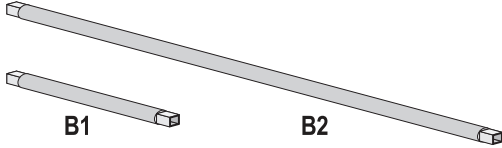
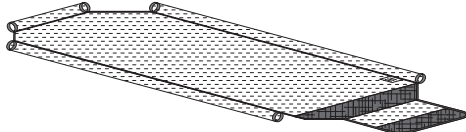


**⚠ WARNING:**  
**Adult Assembly Required.**

- Never leave children unattended.
- Weight limit 150lbs.
- Do not Kneel, Stand or Jump on cot.
- Adult supervision recommended.

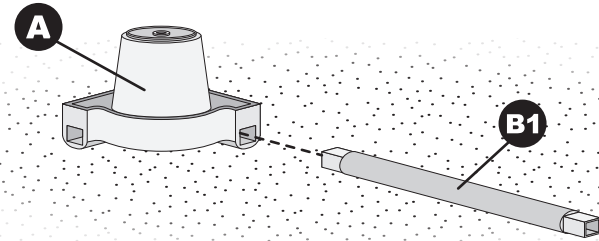
**Parts List**

BEFORE ASSEMBLING, MAKE SURE YOU HAVE ALL THE PARTS

<p><b>A</b> Cot Corners (24)</p> 	<p><b>B</b> Short &amp; Long Poles (12/12)</p> 
<p><b>C</b> Cot Netting (6)</p>  <p style="text-align: right; font-size: small;">Batch ID Tag located on underside</p>	

**1 Connect a Short Pole into a Cot Corner**

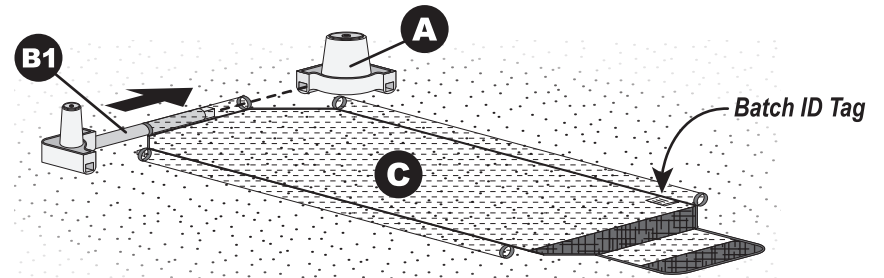
Insert the squared end of one **Short Pole (B1)** in the square receiver of a **Cot Corner (A)** as shown, until it is fully seated in the receiver.



**2 Insert Short Pole through Cot Netting**

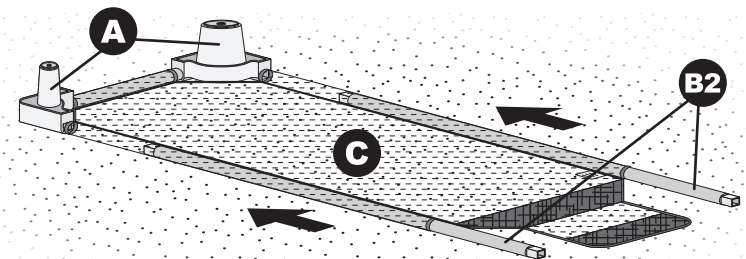
With the **Cot Netting (C)** upside down (*Hook & Loop facing up*), insert the open end of the **Short Pole (B1)** through the short pocket at the end of the **Cot Netting (C)**.

Insert the squared end of another **Short Pole (B1)** in the square receiver of a **Cot Corner (A)** as shown, until it is fully seated in the receiver.



**3 Insert Long Poles through Cot Netting**

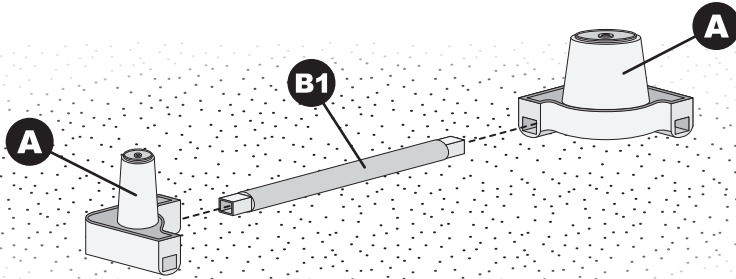
Insert the **Long Poles (B2)** through the long pockets on the sides of the **Cot Netting (C)** until they are fully seated in the square receivers of **Cot Corners (A)**.



See Next Page

## 4 Connect the other Short Pole/Corners

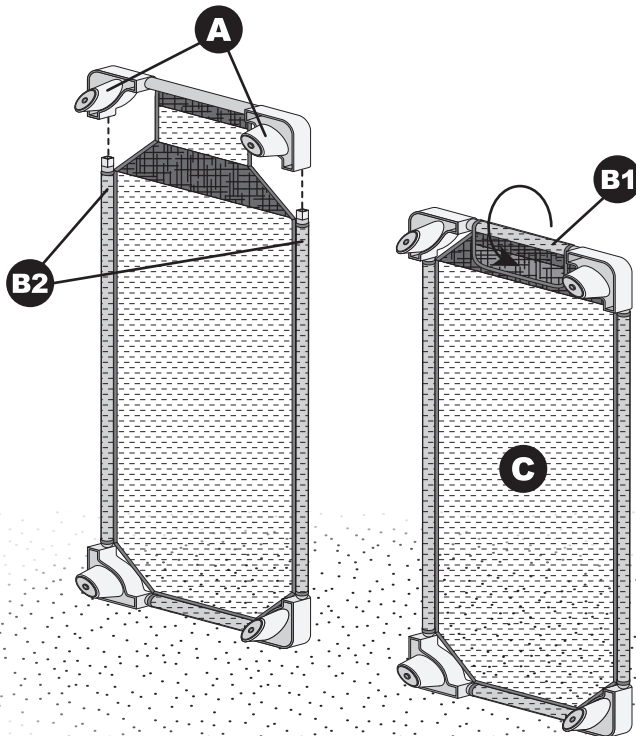
Insert the squared end of another **Short Pole (B1)** in the square receivers of two **Cot Corners (A)** as shown, until it is fully seated in the receiver.



## 5 Insert the Short End & Secure Flap

Insert the square receivers of two **Cot Corners (A)** onto the squared ends of the **Long Poles (B2)** as shown, until it is fully seated in the receiver.

Pull the **Cot Netting (C)** taut up over the **Short Pole (B1)**, then secure the Hook & Loop Flap to the Hook & Loop section on the underside of the **Cot Netting (C)**.



**ECR<sup>®</sup>**  
**4 KIDS**

We appreciate your purchase of the Stackable Kiddie Cots. ECR4KIDS has made every effort to supply a quality product that with proper use and care, will provide many years of trouble-free use.

If you experience any difficulties with this product, please email us at [ecrcs@ecr4kids.com](mailto:ecrcs@ecr4kids.com) or call toll-free at (855) ECR-4KIDS (Monday - Friday, 7:00am - 4:00pm Pacific Standard Time)

**Please do not return** to place of purchase as ECR4KIDS will replace defective part(s) and/or product.

**Warranty:** Visit our website for product specific warranty information at: [www.ecr4kids.com](http://www.ecr4kids.com)

### Care and Cleaning

Clean unit with a damp cloth or sponge using warm water and mild soap. Wipe dry.

Do not launder in Washing Machine or Dryer. Do not use cleaners with ammonia or abrasives as this may cause damage.

Check for loose or worn parts periodically and tighten or replace as necessary.

**Record the manufacture date here. Information is located on the Batch ID sticker and on the shipping carton. Save this sheet in an accessible place.**

**Model Number:** ELR-16112, ELR-16114 (circle one)

**Factory Code:**   G  

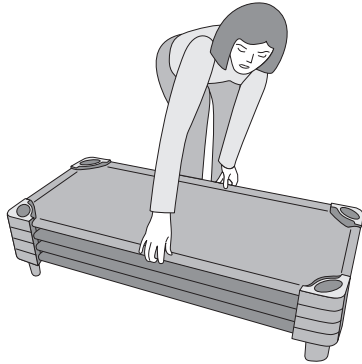
**Manufacture Date:** \_\_\_\_\_

**Batch ID Number:** \_\_\_\_\_  
(Located on Part C)

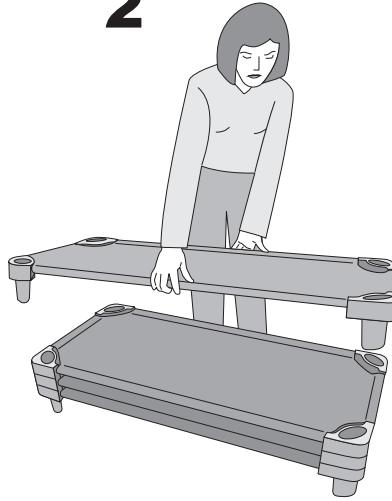
## Cot Handling Instructions

Cots are designed to be un-stacked by lifting with 2-hands, from the center of the COT, in a vertical motion. By following this stacking and un-stacking procedure, you will ensure many years of use for your cots.

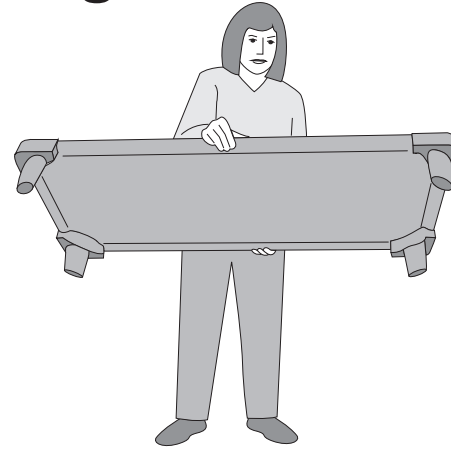
**1**



**2**



**3**



Lifting the cot from the ends or sides creates an un-stable and un-safe condition for the person lifting and will put undue stress on the Cot Corners & Poles, which may cause them to break.

