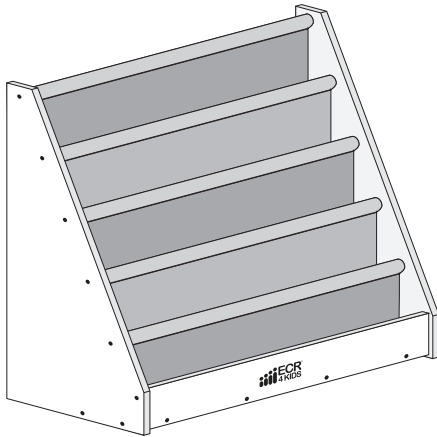


**Single-Sided
 Fabric Book Display**
 Model# ELR-17108



⚠ WARNING:

Adult Assembly Required.

- Two adults recommended.
- Contains small parts, sharp points and edges.
- Do not stand, sit, kneel, climb, lean or pull on unit for support.
- Never leave children unattended.
- Do not place unit near high heat or moisture.
- Adult supervision recommended.

TOOLS INCLUDED

- Hex Tool (1)



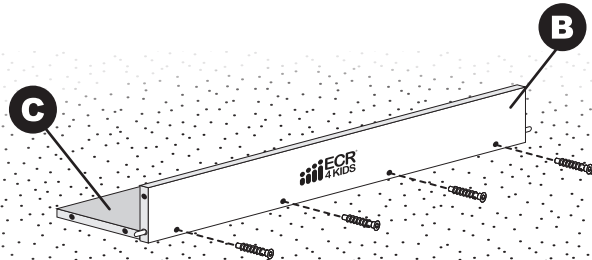
Parts List

BEFORE ASSEMBLING, MAKE SURE YOU HAVE ALL THE PARTS

<p>A Left & Right Side Panels (1/1)</p>	<p>D Dowel Rods (5)</p>
<p>B Front Crossbar (1)</p>	<p>E Fabric Book Shelves (1)</p>
<p>C Bottom Shelf (1)</p> <p>Batch ID Sticker located on underside</p>	<p>F Hex Screws (20)</p> <p>Use the Hex Tool</p>

1 Install the Front Crossbar

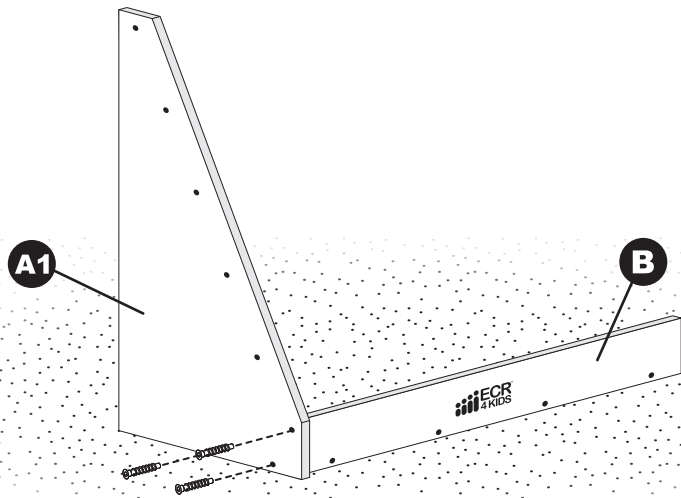
Install the **Front Crossbar (B)** onto the **Lower Shelf (B)** with four **Hex Screws (F)** using the Hex Tool.



2 Install the Left Side Panel

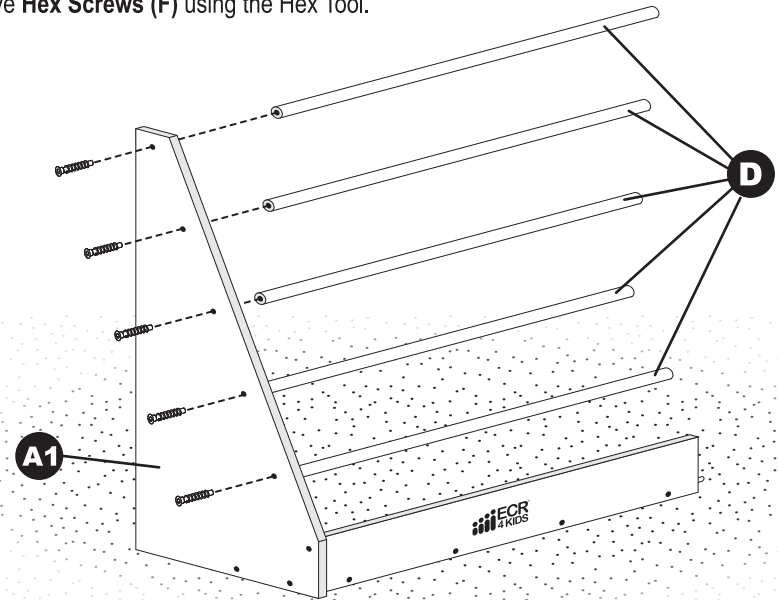
Insert the pre-installed wooden dowels on **Front Crossbar (B)** into the corresponding holes on the inside of **Left Side Panel (A1)**.

Install the **Left Side Panel (A1)** onto the **Front Crossbar (B)** and **Lower Shelf (C)** with three **Hex Screws (F)** using the Hex Tool.



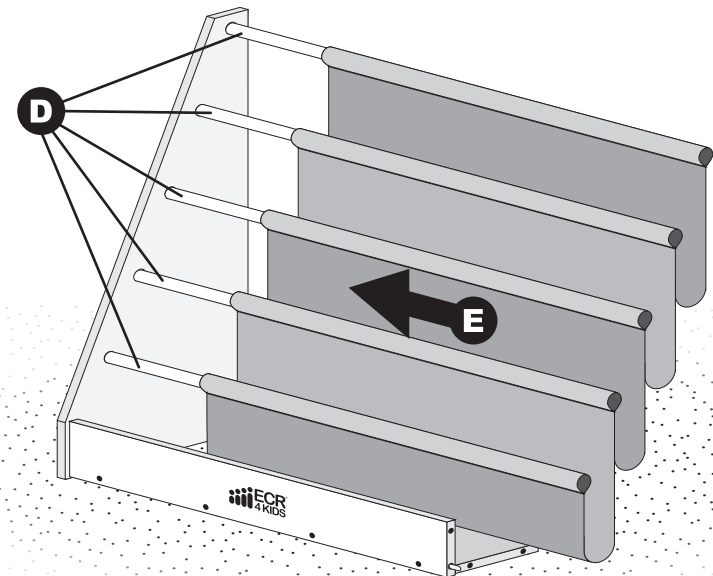
3 Install the Dowel Rods

Install the **Dowel Rods (D)** onto the **Left Side Panel (A1)** with five **Hex Screws (F)** using the Hex Tool.



4 Insert Fabric Book Shelves onto Dowel Rods

Install the **Fabric Book Shelves (E)** onto the **Dowel Rods (D)**.



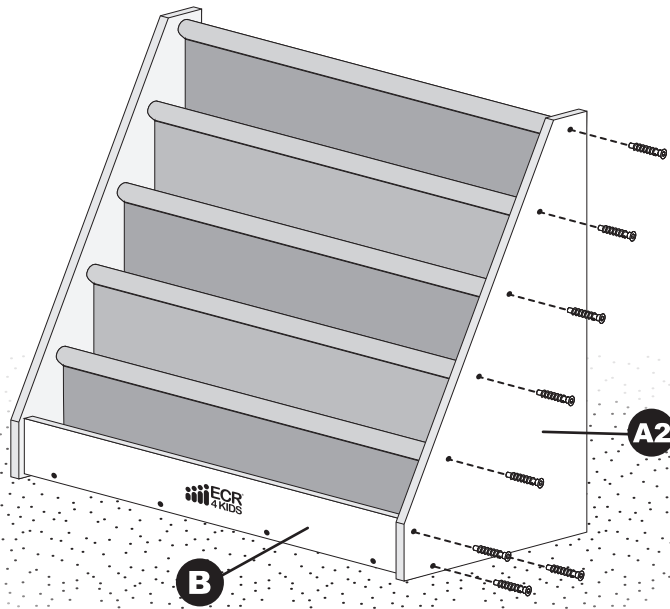
See Next Page

5

Install the Right Side Panel

Insert the pre-installed wooden dowels on **Front Crossbar (B)** into the corresponding holes on the inside of **Right Side Panel (A2)**.

Install the **Right Side Panel (A2)** onto the **Front Crossbar (B)**, **Lower Shelf (C)** and **Dowel Rods (D)** with eight **Hex Screws (F)** using the Hex Tool.



We appreciate your purchase of the Single-Sided Fabric Book Display. ECR4KIDS has made every effort to supply a quality product that with proper use and care, will provide many years of trouble-free use.

If you experience any difficulties with this product, please email us at ecrcs@ecr4kids.com or call toll-free at (855) ECR-4KIDS (Monday - Friday, 7:00am - 4:00pm Pacific Standard Time)

Please do not return to place of purchase as ECR4KIDS will replace defective part(s) and/or product.

Warranty: Visit our website for product specific warranty information at: www.ecr4kids.com

Care and Cleaning

Clean wood with a damp cloth or sponge using warm water and mild soap. Wipe dry.

Do not place near heat, moisture or vaporizer which may cause wood to warp and peel.

Check for loose or worn parts periodically and tighten or replace as necessary.

Record the manufacture date here. Information is located on the Batch ID sticker and on the shipping carton. Save this sheet in an accessible place.

Model Number: ELR-17108

Factory Code: BR

Manufacture Date: _____

Batch ID Number: _____
(Located on Part C)