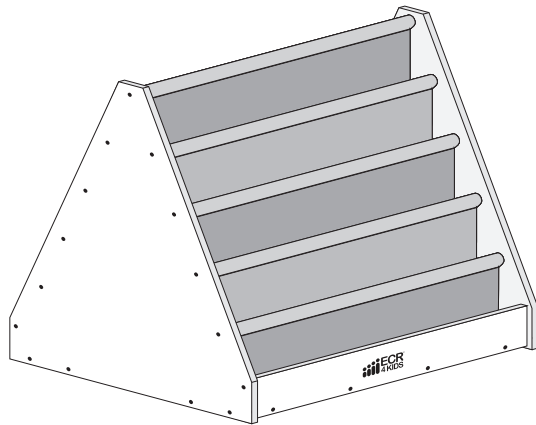


**Double-Sided  
 Fabric Book Display**  
 Model# ELR-17109



**⚠ WARNING:**

**Adult Assembly Required.**

- Two adults recommended.
- Contains small parts, sharp points and edges.
- Do not stand, sit, kneel, climb, lean or pull on unit for support.
- Never leave children unattended.
- Do not place unit near high heat or moisture.
- Adult supervision recommended.

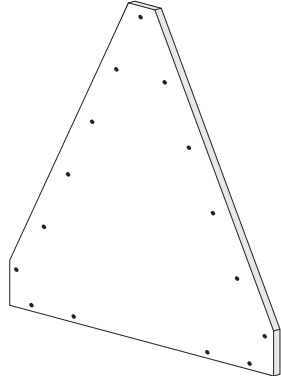
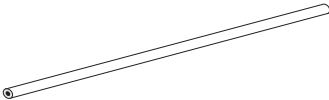

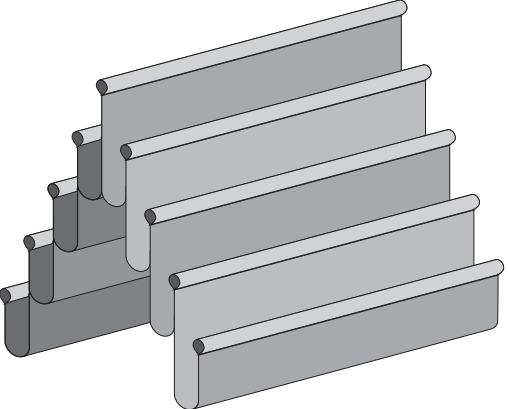
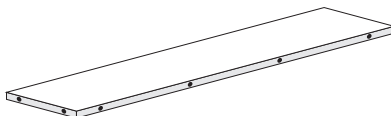
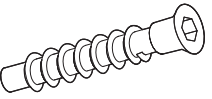
**TOOLS INCLUDED**

- Hex Tool (1)



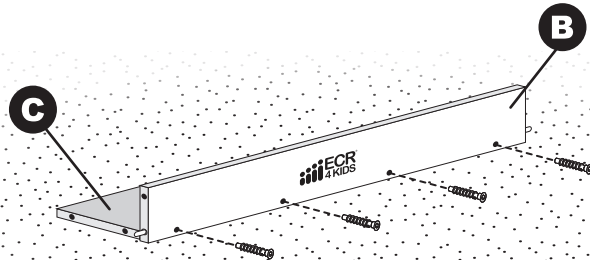
**Parts List**

BEFORE ASSEMBLING, MAKE SURE YOU HAVE ALL THE PARTS

<p><b>A</b> Side Panels (2)</p> 	<p><b>D</b> Dowel Rods (9)</p> 
<p><b>B</b> Front Crossbars (2)</p> 	<p><b>E</b> Fabric Book Shelves (1)</p> 
<p><b>C</b> Bottom Shelves (2)</p>  <p style="text-align: right;"><i>Batch ID Sticker located on underside</i></p>	<p><b>F</b> Hex Screws (38)</p>  <p style="text-align: right;"><i>Use the Hex Tool</i></p>

# 1 Install the Front Crossbars

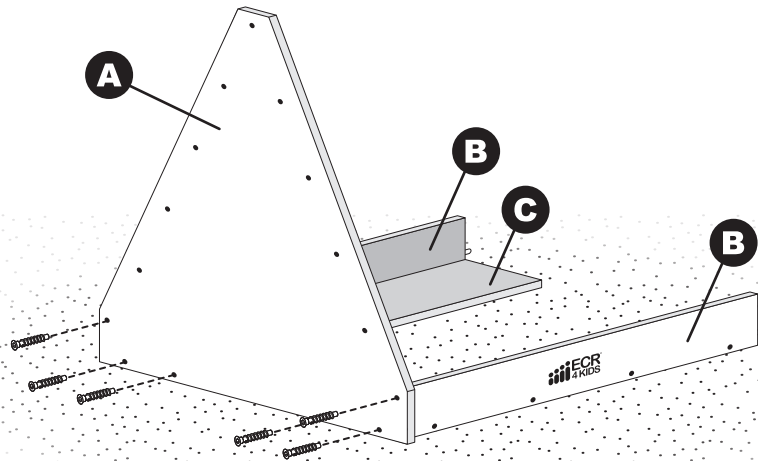
Install the **Front Crossbars (B)** onto the **Lower Shelves (B)** with four **Hex Screws (F)** each, using the Hex Tool.



# 2 Install the Left Side Panel

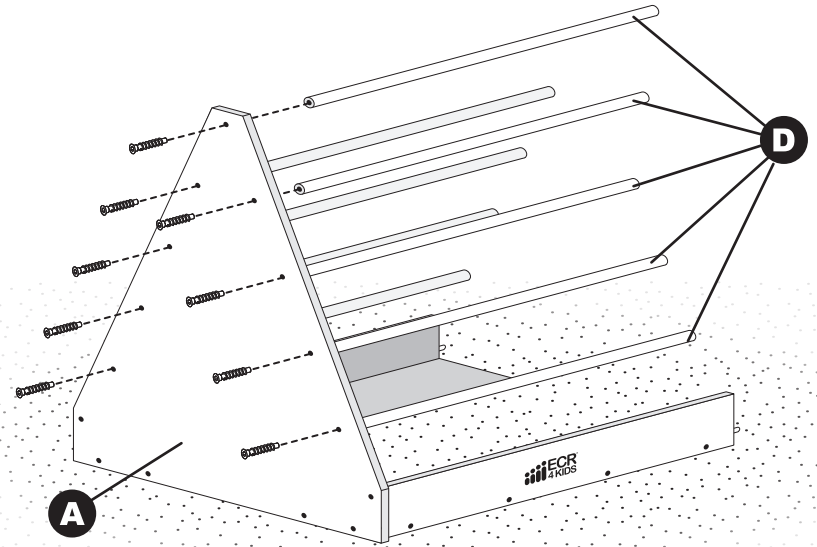
Insert the pre-installed wooden dowels on **Front Crossbars (B)** into the corresponding holes on the inside of **Left Side Panel (A)**.

Install the **Left Side Panel (A)** onto the **Front Crossbars (B)** and **Lower Shelves (C)** with six **Hex Screws (F)** using the Hex Tool.



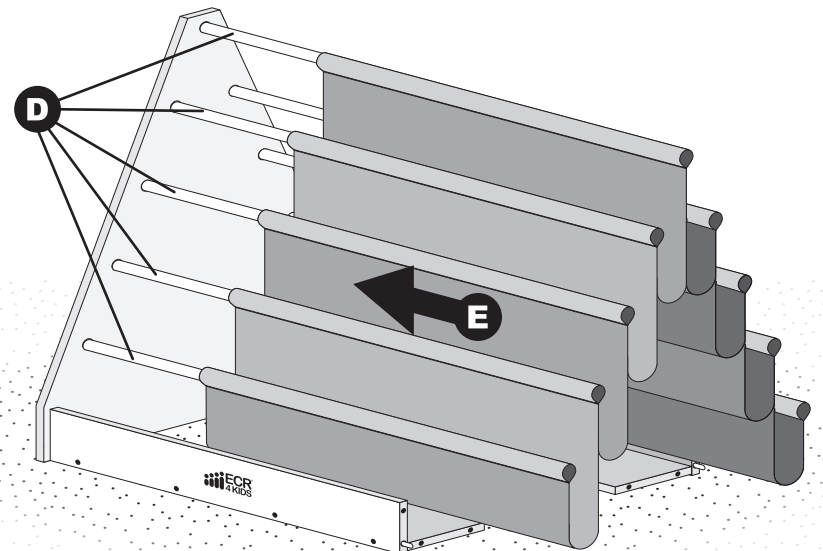
# 3 Install the Dowel Rods

Install the **Dowel Rods (D)** onto the **Left Side Panel (A)** with nine **Hex Screws (F)** using the Hex Tool.



# 4 Insert Fabric Book Shelves onto Dowel Rods

Install the **Fabric Book Shelves (E)** onto the **Dowel Rods (D)**.

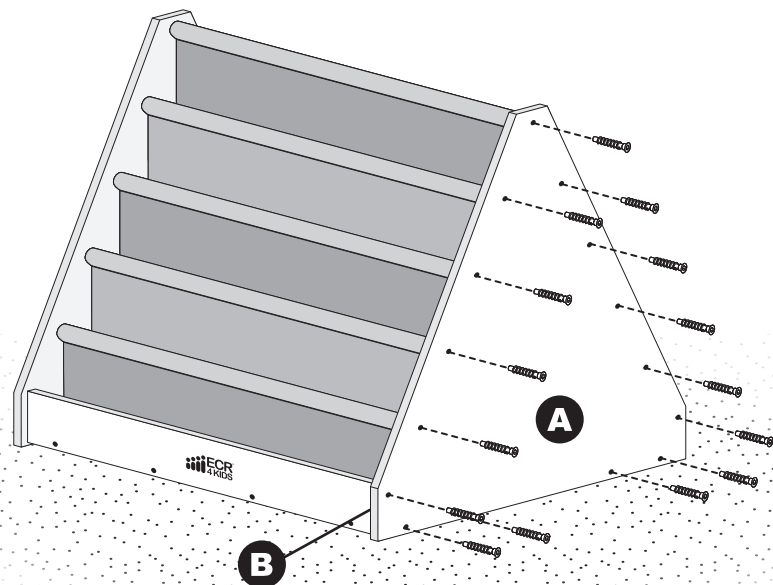


See Next Page

## 5 Install the Right Side Panel

Insert the pre-installed wooden dowels on **Front Crossbar (B)** into the corresponding holes on the inside of **Right Side Panel (A)**.

Install the **Right Side Panel (A)** onto the **Front Crossbars (B)**, **Lower Shelves (C)** and **Dowel Rods (D)** with fifteen **Hex Screws (F)** using the Hex Tool.



We appreciate your purchase of the Double-Sided Fabric Book Display. ECR4KIDS has made every effort to supply a quality product that with proper use and care, will provide many years of trouble-free use.

If you experience any difficulties with this product, please email us at [ecrcs@ecr4kids.com](mailto:ecrcs@ecr4kids.com) or call toll-free at (855) ECR-4KIDS (Monday - Friday, 7:00am - 4:00pm Pacific Standard Time)

**Please do not return** to place of purchase as ECR4KIDS will replace defective part(s) and/or product.

**Warranty:** Visit our website for product specific warranty information at: [www.ecr4kids.com](http://www.ecr4kids.com)

### Care and Cleaning

Clean wood with a damp cloth or sponge using warm water and mild soap. Wipe dry.

Do not place near heat, moisture or vaporizer which may cause wood to warp and peel.

Check for loose or worn parts periodically and tighten or replace as necessary.

**Record the manufacture date here. Information is located on the Batch ID sticker and on the shipping carton. Save this sheet in an accessible place.**

**Model Number:** ELR-17109

**Factory Code:** BR

**Manufacture Date:** \_\_\_\_\_

**Batch ID Number:** \_\_\_\_\_  
(Located on Part C)