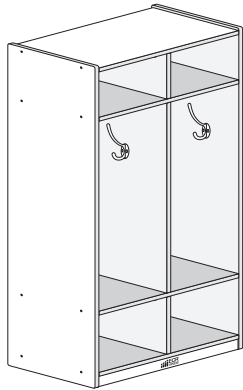




San Diego, CA 92110 USA
www.ecr4kids.com

2 Section Locker
Model# ELR-17230-B



⚠ WARNING:

Adult Assembly Required.

- Two adults recommended.
- Contains small parts, sharp points and edges.
- Do not stand, sit, kneel, climb, lean or pull on unit for support.
- Never leave children unattended.
- Do not place unit near high heat or moisture.
- Adult supervision recommended.

TOOLS INCLUDED

- Hex Tool (1)



TOOLS NEEDED

- Phillips Screwdriver



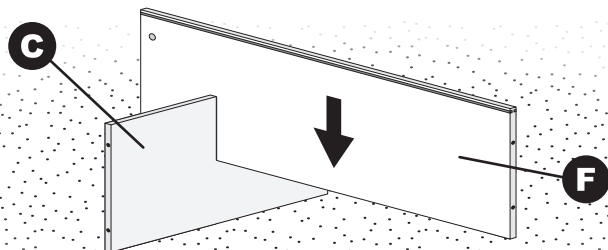
Parts List

BEFORE ASSEMBLING, MAKE SURE YOU HAVE ALL THE PARTS

<p>A Left & Right Side Panels (1/1)</p>	<p>F Upper Divider (1)</p>	<p>H Upper Back Panels (2)</p>
<p>B Top Panel (1)</p>	<p>G Lower Divider (1)</p>	<p>I Lower Back Panel (1)</p>
<p>C Upper Shelf (1)</p>	<p>J Hex Screws (20)</p> <p><i>Use the Hex Tool</i></p>	
<p>D Lower Shelf (1)</p>	<p>K Cam Posts & Cam Locks (4/4)</p> <p><i>Use a Phillips Screwdriver</i></p>	
<p>E Bottom Shelf (1)</p> <p><i>Batch ID Sticker located on underside</i></p>	<p>L Hanger Hook Posts & Screws (6/6)</p> <p><i>Use a Phillips Screwdriver</i></p>	<p>M Hanger Hooks (4)</p>

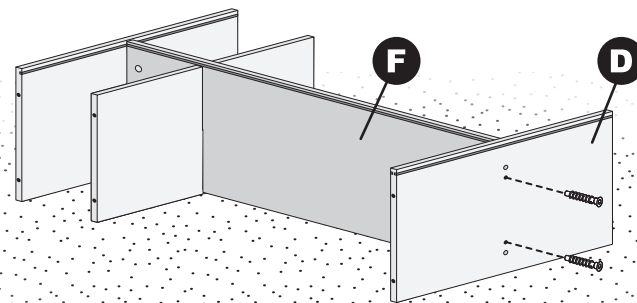
1 Insert Upper Divider onto Upper Shelf

Align the slits on **Upper Divider (F)** with the slit on **Upper Shelf (C)** as shown, and slide together until seated.



3 Install the Lower Shelf

Install the **Lower Shelf (D)** onto the **Upper Divider (F)** as shown, with two **Hex Screws (J)** using the Hex Tool.



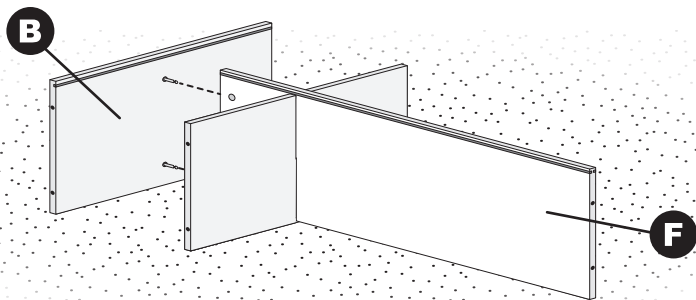
2 Connect the Top Panel

Install two **Cam Posts (K1)** into the threaded plastic inserts on the underside of **Top Panel (B)** with a Phillips screwdriver.

Reminder: Do not overtighten, as the plastic threads can be stripped.

Place two **Cam Locks (K2)** into the recessed holes on **Upper Divider (F)** with the arrow facing the closest edge.

Insert the **Top Panel (B)** Cam Posts into the holes on the top edge of the **Upper Divider (F)**. Turn the Cam Locks clockwise with a Phillips screwdriver to lock the **Upper Divider (F)** onto the posts.



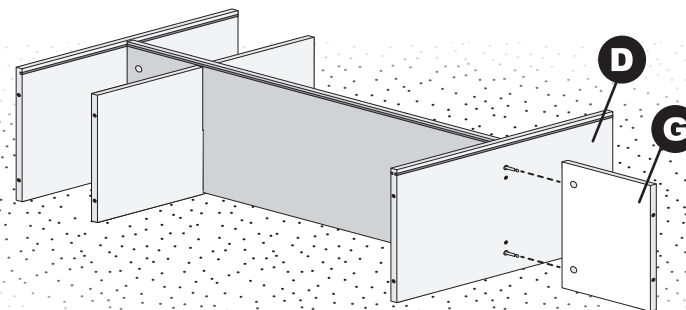
4 Connect the Lower Divider

Install two **Cam Posts (K1)** into the threaded plastic inserts on the underside of **Lower Shelf (D)** with a Phillips screwdriver.

Reminder: Do not overtighten, as the plastic threads can be stripped.

Place two **Cam Locks (K2)** into the recessed holes on **Lower Divider (G)** with the arrow facing the closest edge.

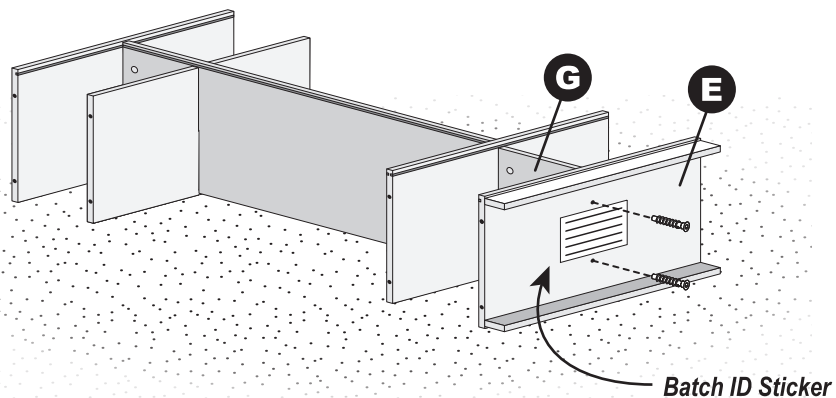
Attach the **Lower Divider (G)** onto the Cam Posts on the underside of the **Top Panel (B)**, turn the Cam Locks clockwise with a Phillips screwdriver to lock the **Lower Divider (G)** onto the posts.



See Next Page

5 Install the Bottom Shelf

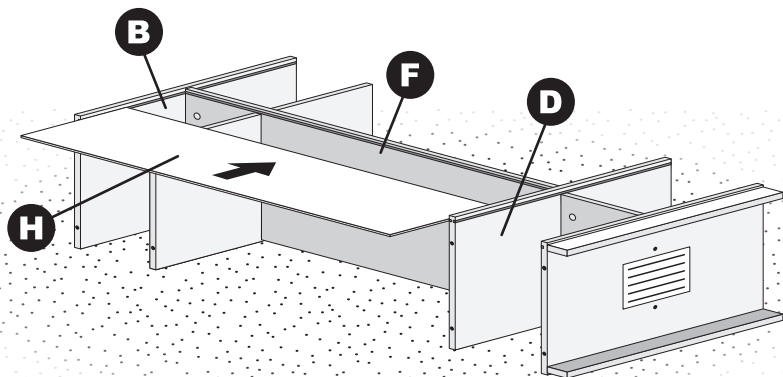
Install the **Bottom Shelf (E)** onto the **Lower Divider (G)** with two **Hex Screws (J)** using the Hex Tool.



6 Slide Left Back Panel into Place

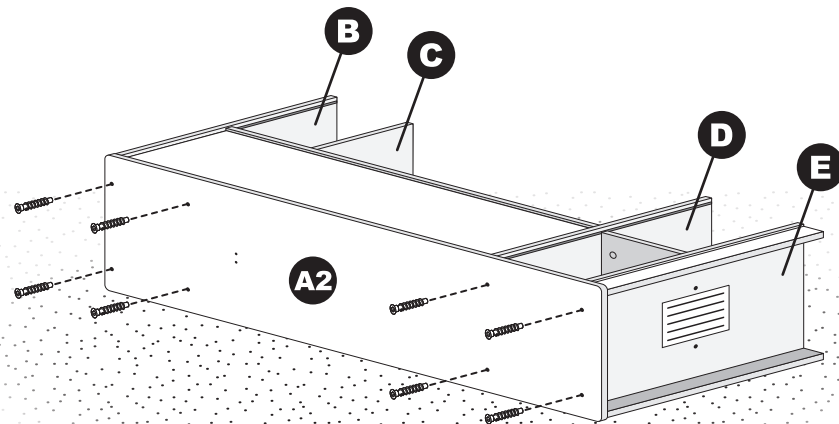
Slide an **Upper Back Panel (H)** into the grooves on **Top Panel (B)** & **Lower Shelf (D)** as shown, until fully seated into the groove on the side of **Upper Divider (F)**.

*Tip: If the **Upper Back Panel (H)** do not slide in easily, wiggle the panel while pushing into place.*



7 Install the Right Side Panel

Install the **Right Side Panel (A2)** onto the **Top Panel (B)**, **Upper/Lower/Bottom Shelves (C/D/E)** with eight **Hex Screws (J)** using the Hex Tool.

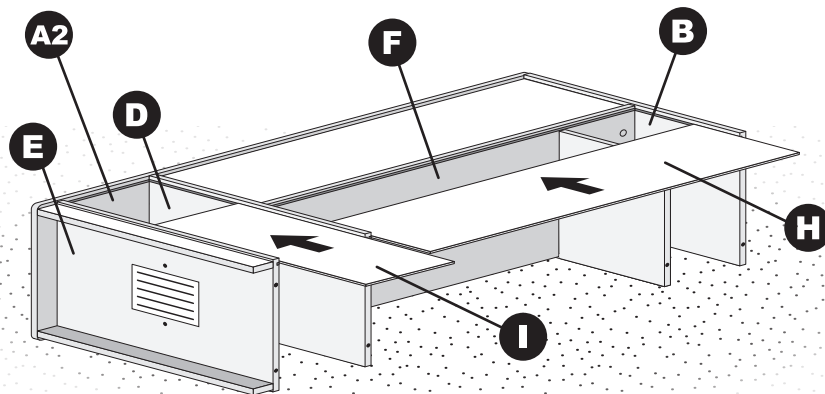


8 Slide Remaining Back Panels into Place

Slide the remaining **Upper Back Panel (H)** into the grooves on **Top Panel (B)** & **Lower Shelf (D)** as shown, until fully seated into the groove on the side of **Upper Divider (F)**.

Slide the **Lower Back Panel (I)** into the grooves on **Lower Shelf (D)** & **Bottom Shelf (E)** as shown, until fully seated into the groove on the side of **Right Side Panel (A2)**.

*Tip: If the **Back Panels (H/I)** do not slide in easily, wiggle the panels while pushing into place.*

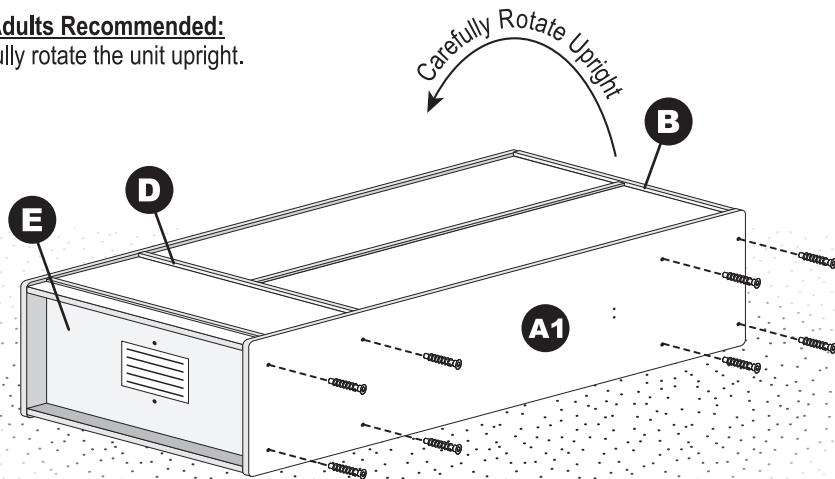


See Next Page

9 Install the Left Side Panel

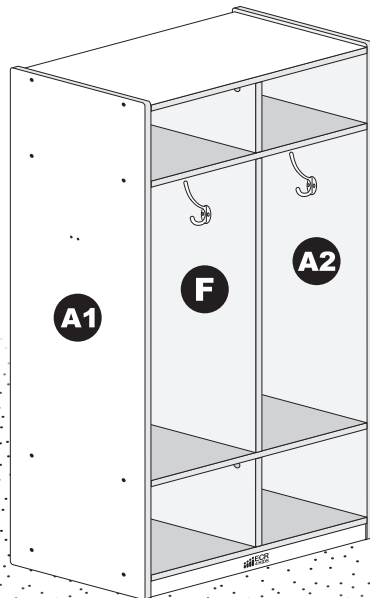
Install the **Left Side Panel (A1)** onto the **Top Panel (B)**, **Upper/Lower/Bottom Shelves (C/D/E)** with eight **Hex Screws (J)** using the Hex Tool.

Two Adults Recommended:
Carefully rotate the unit upright.



10 Install the Hanger Hooks

Install two **Hanger Hooks (M)** to each locker section by threading the **Hanger Hook Posts & Screws (L1/L2)** together from both sides of **Left/Right Side Panels (A1/A2)** and **Upper Divider (F)**.



ECR[®]
4 KIDS

We appreciate your purchase of the 2 Section Coat Locker. ECR4KIDS has made every effort to supply a quality product that with proper use and care, will provide many years of trouble-free use.

If you experience any difficulties with this product, please email us at ecrcs@ecr4kids.com or call toll-free at (855) ECR-4KIDS (Monday - Friday, 7:00am - 4:00pm Pacific Standard Time)

Please do not return to place of purchase as ECR4KIDS will replace defective part(s) and/or product.

Warranty: Visit our website for product specific warranty information at: www.ecr4kids.com

Care and Cleaning

Clean wood with a damp cloth or sponge using warm water and mild soap. Wipe dry.

Do not place near heat, moisture or vaporizer which may cause wood to warp and peel.

Check for loose or worn parts periodically and tighten or replace as necessary.

Record the manufacture date here. Information is located on the Batch ID sticker and on the shipping carton. Save this sheet in an accessible place.

Model Number: ELR-17230-B

Factory Code: EP

Manufacture Date: _____

Batch ID Number: _____
(Located on Part D)