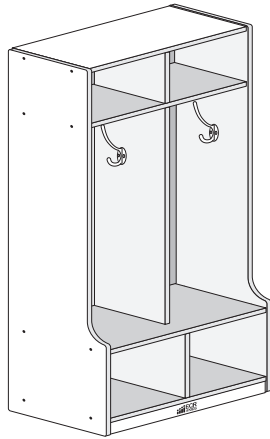




San Diego, CA 92110 USA
www.ecr4kids.com

2 Section Locker w/ Bench
Model# ELR-17231-B



⚠ WARNING:

Adult Assembly Required.

Two adults recommended.

- Contains small parts, sharp points and edges.
- Do not stand, sit, kneel, climb, lean or pull on unit for support.
- Never leave children unattended.
- Do not place unit near high heat or moisture.
- Adult supervision recommended.

TOOLS INCLUDED

◆ Hex Tool (1)



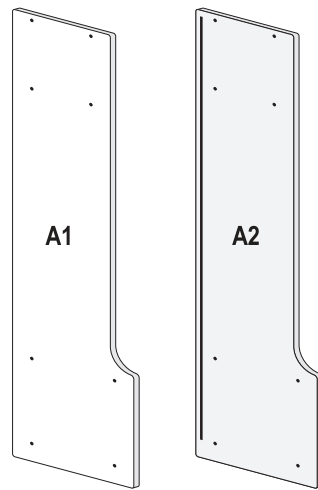
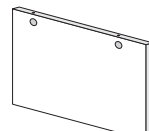
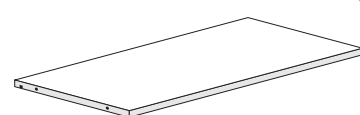
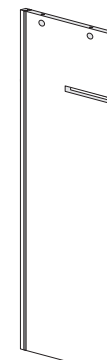
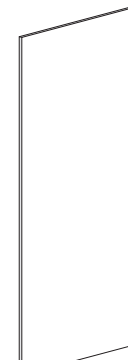
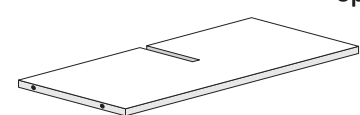
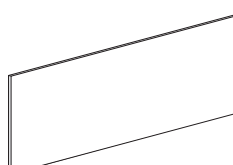
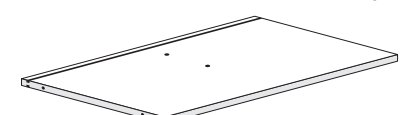
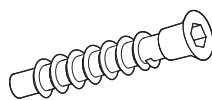
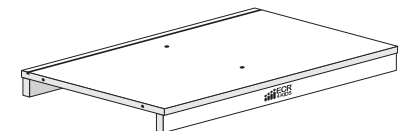

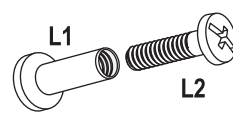

TOOLS NEEDED

✚ Phillips Screwdriver



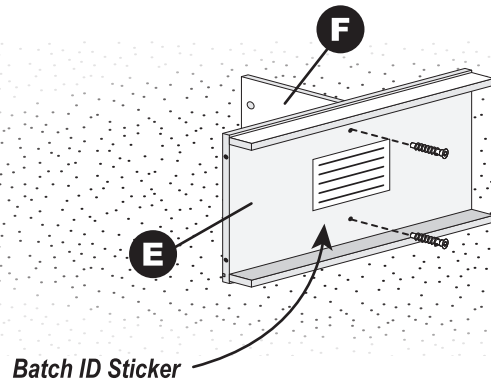
Parts List

BEFORE ASSEMBLING, MAKE SURE YOU HAVE ALL THE PARTS

<p>A Left & Right Side Panels (1/1)</p> 	<p>F Lower Divider (1)</p> 
<p>B Top Panel (1)</p> 	<p>G Upper Divider (1)</p>  <p>H Upper Back Panel (2)</p> 
<p>C Upper Shelf (1)</p> 	<p>I Lower Back Panel (1)</p> 
<p>D Lower Shelf (1)</p> 	<p>J Hex Screw (20)</p>  <p><i>Use the Hex Tool</i></p>
<p>E Bottom Shelf (1)</p>  <p><i>Batch ID Sticker located on underside</i></p>	<p>K Cam Posts & Cam Locks (4/4)</p>  <p><i>Use a Phillips Screwdriver</i></p>
<p>L Hanger Hook Posts & Screws (6/6)</p>  <p><i>Use a Phillips Screwdriver</i></p>	<p>M Hanger Hooks (4)</p> 

1 Install Lower Divider onto Bottom Shelf

Install the **Lower Divider (F)** onto the **Bottom Shelf (E)** with two **Hex Screws (J)** using the Hex Tool.

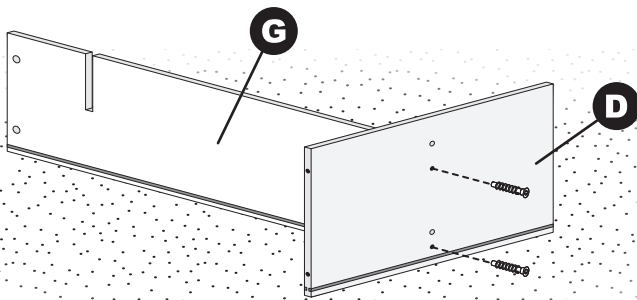


2 Install Upper Divider onto Lower Shelf

Install the **Upper Divider (G)** onto the **Lower Shelf (D)** with two **Hex Screws (J)** using the Hex Tool.

Install two **Cam Posts (K1)** into the threaded plastic inserts on the underside of the **Lower Shelf (D)** with a Phillips screwdriver.

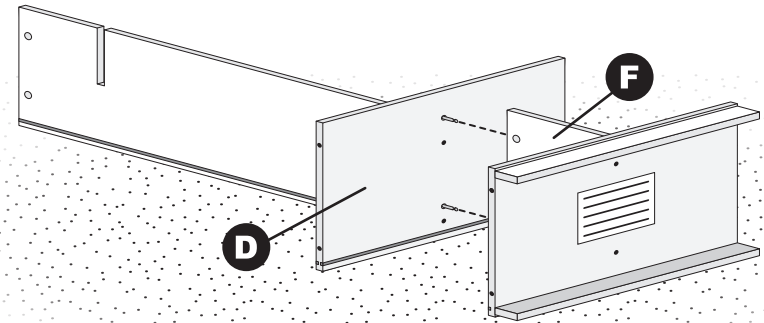
Reminder: Do not overtighten as the plastic threads can be stripped.



3 Connect Lower Shelf to Lower Divider

Place two **Cam Locks (K2)** into the recessed holes on the **Lower Divider (F)**, with the arrow pointing to the closest edge.

Attach the **Lower Divider (F)** onto the **Cam Posts** on the underside of the **Lower Shelf (D)**, turn the **Cam Locks** clockwise with a Phillips screwdriver to lock the **Lower Divider (F)** onto the posts.



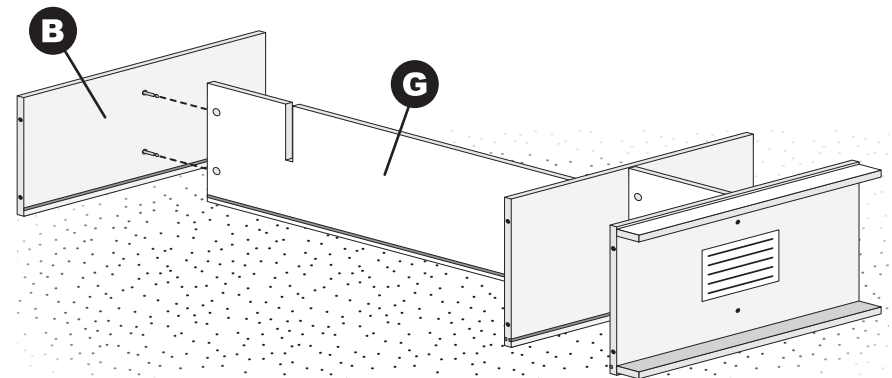
4 Connect Top Shelf to Upper Divider

Install two **Cam Posts (K1)** into the threaded plastic inserts on the underside of the **Top Panel (B)** with a Phillips screwdriver. **Reminder:** Do not overtighten as the plastic threads can be stripped.

Place two **Cam Locks (K2)** into the recessed holes on the **Upper Divider (G)**, with the arrow pointing to the closest edge.

Insert the **Top Panel Cam Posts** into the holes on the edge of the **Upper Divider (G)**.

Turn the **Cam Locks** clockwise with a Phillips screwdriver to lock the posts onto the divider.

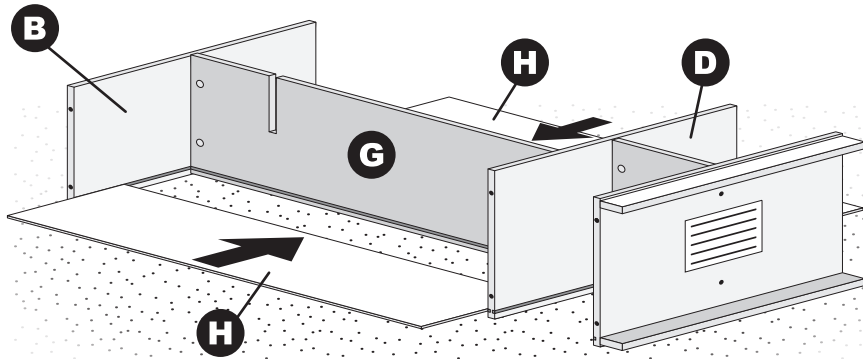


See Next Page

5 Slide Upper Back Panels into Place

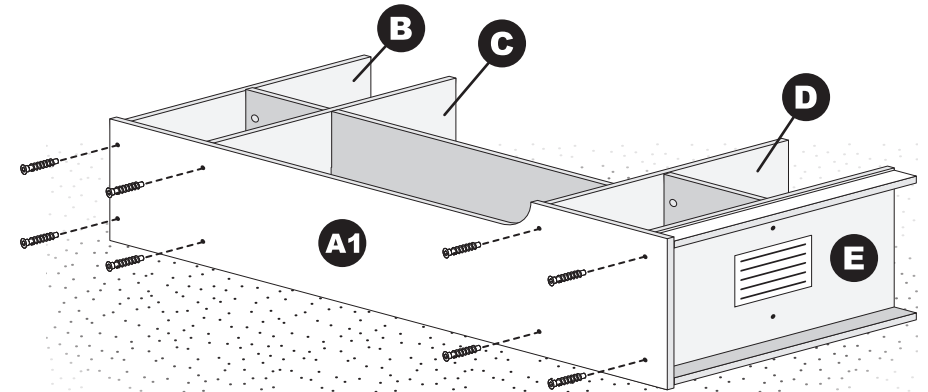
Slide both **Upper Back Panels (H)** into the grooves on **Top Panel (B)** and **Lower Shelf (D)** as shown, until fully seated into the groove on the inside of the **Upper Divider (G)**.

Tip: If the Back Panels do not slide in easily, wiggle the panels while pushing into place.



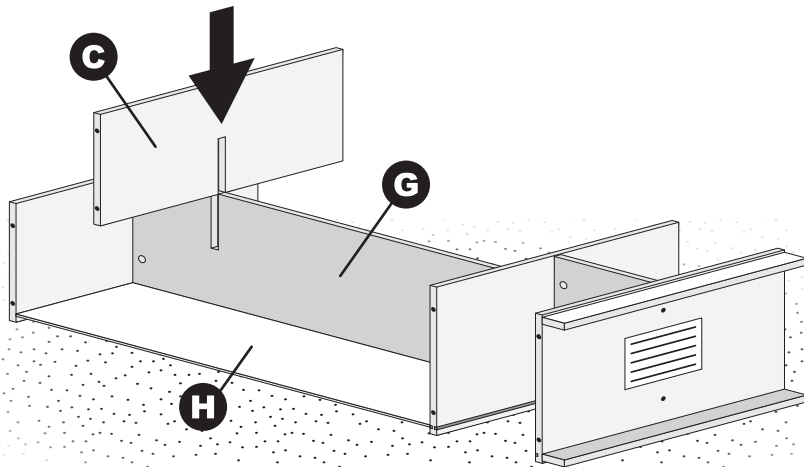
7 Install the Right Side Panel

Install the **Left Side Panel (A1)** onto the **Top Panel (B)**, **Upper/Lower/Bottom Shelves (C/D/E)** with eight **Hex Screws (J)** using the Hex Tool.



6 Insert Upper Shelf onto Upper Divider

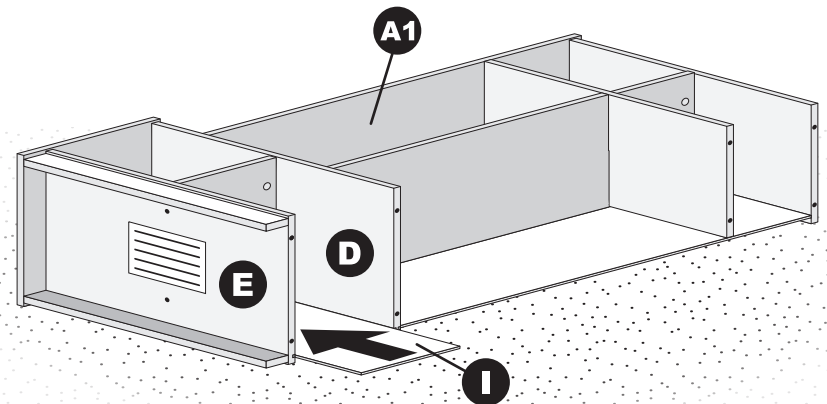
Align the slits on **Upper Shelf (C)** with the slits on **Upper Divider (G)** as shown, and slide together until seated against the **Upper Back Panels (H)**.



8 Slide Lower Back Panel into Place

Slide the **Lower Back Panel (I)** into the grooves on **Lower Shelf (D)** and **Bottom Shelf (E)** as shown, until fully seated into the groove on the inside of the **Left Side Panel (A1)**.

Tip: If the Back Panel does not slide in easily, wiggle the panel while pushing into place.

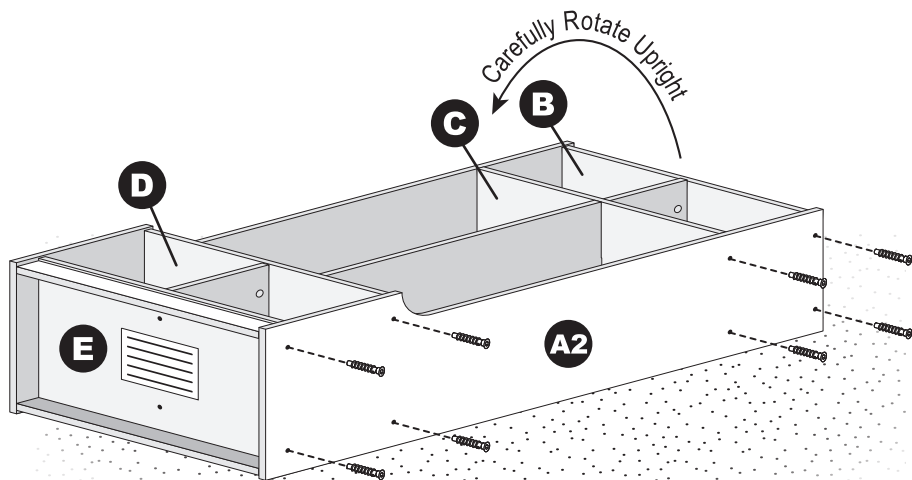


See Next Page

9 Install the Left Side Panel

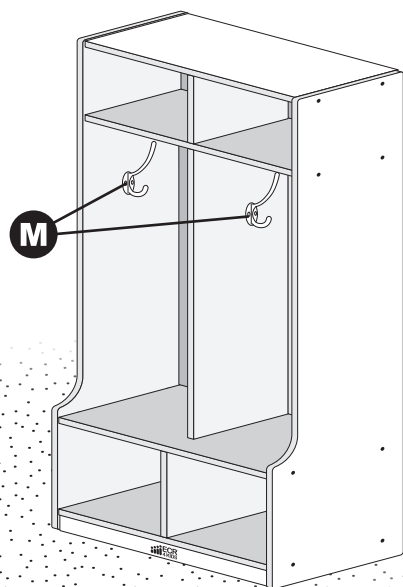
Install the **Left Side Panel (A1)** onto the **Top Panel (B)**, **Upper/Lower/Bottom Shelves (C/D/E)** with eight **Hex Screws (J)** using the Hex Tool.

Two Adults Recommended: Carefully rotate the unit upright.



10 Install the Hanger Hooks

Install two **Hanger Hooks (M)** to each locker section by threading the **Hanger Hook Posts and Screws (L1/L2)** together from both sides of the vertical panels.



ECR[®]
4 KIDS

We appreciate your purchase of the 2 Section Coat Locker - Bench. ECR4KIDS has made every effort to supply a quality product that with proper use and care, will provide many years of trouble-free use.

If you experience any difficulties with this product, please email us at ecrcs@ecr4kids.com or call toll-free at (855) ECR-4KIDS (Monday - Friday, 7:00am - 4:00pm Pacific Standard Time)

Please do not return to place of purchase as ECR4KIDS will replace defective part(s) and/or product.

Warranty: Visit our website for product specific warranty information at: www.ecr4kids.com

Care and Cleaning

Clean wood with a damp cloth or sponge using warm water and mild soap. Wipe dry.

Do not place near heat, moisture or vaporizer which may cause wood to warp and peel.

Check for loose or worn parts periodically and tighten or replace as necessary.

Record the manufacture date here. Information is located on the Batch ID sticker and on the shipping carton. Save this sheet in an accessible place.

Model Number: ELR-17231-B

Factory Code: EP

Manufacture Date: _____

Batch ID Number: _____
(Located on Part E)